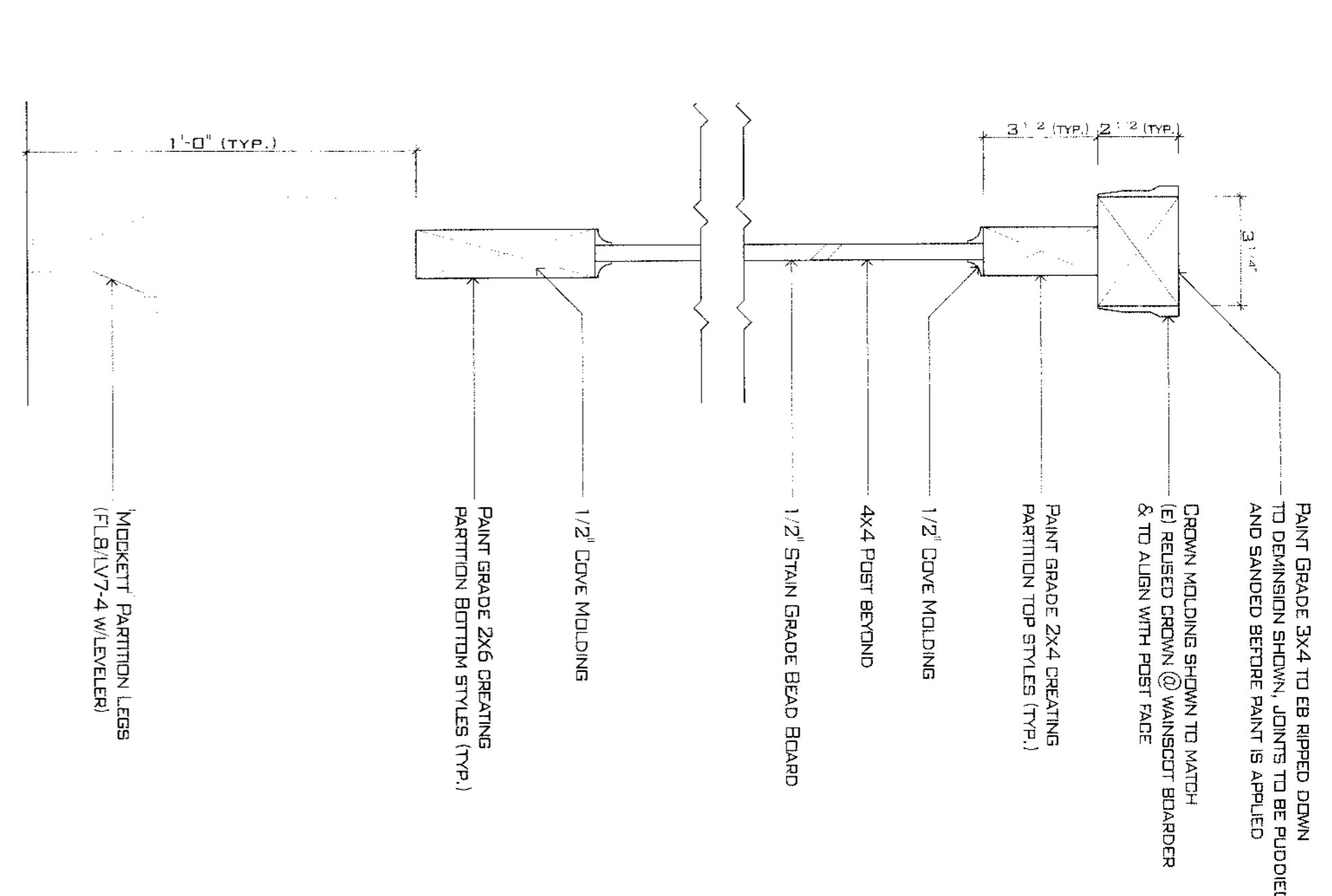
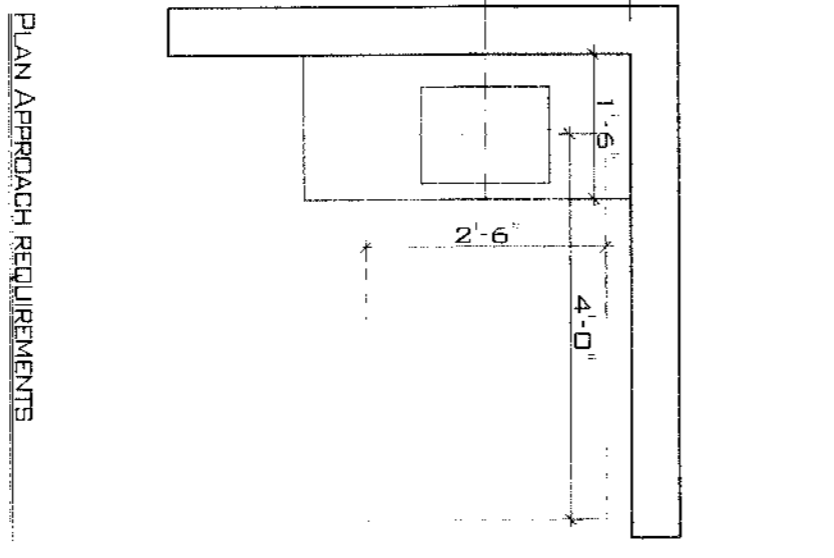
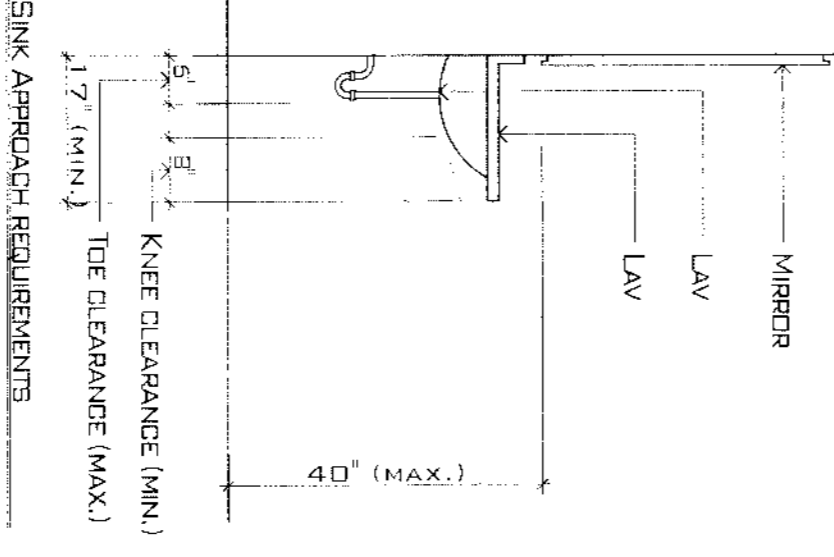


1 STARWAY / MENS BATHROOM SECTION
SCALE: 1/2" = 1'-0"



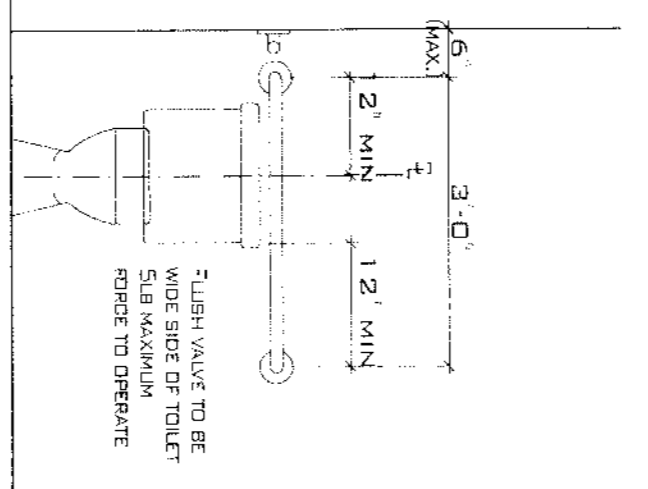
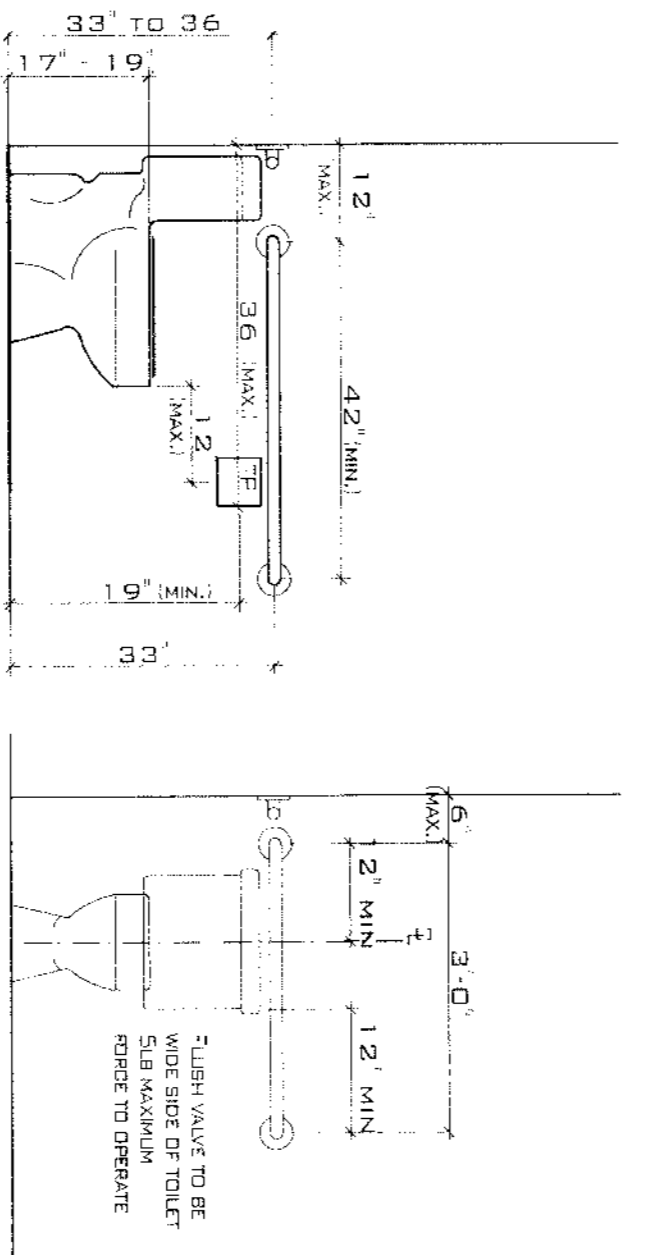
2 PARTITION DETAIL (TYP.)
SCALE: 3/4" = 1'-0"

GENERAL REQUIREMENTS:
1. FLOWWATER AND DRAINAGES ACCESSIBLE UNDER LAVATORY SHALL BE INSULATED OR OTHERWISE COVERED. THERE SHALL BE NO SHARP OR ABRASIVE SURFACES UNDER LAVATORIES.

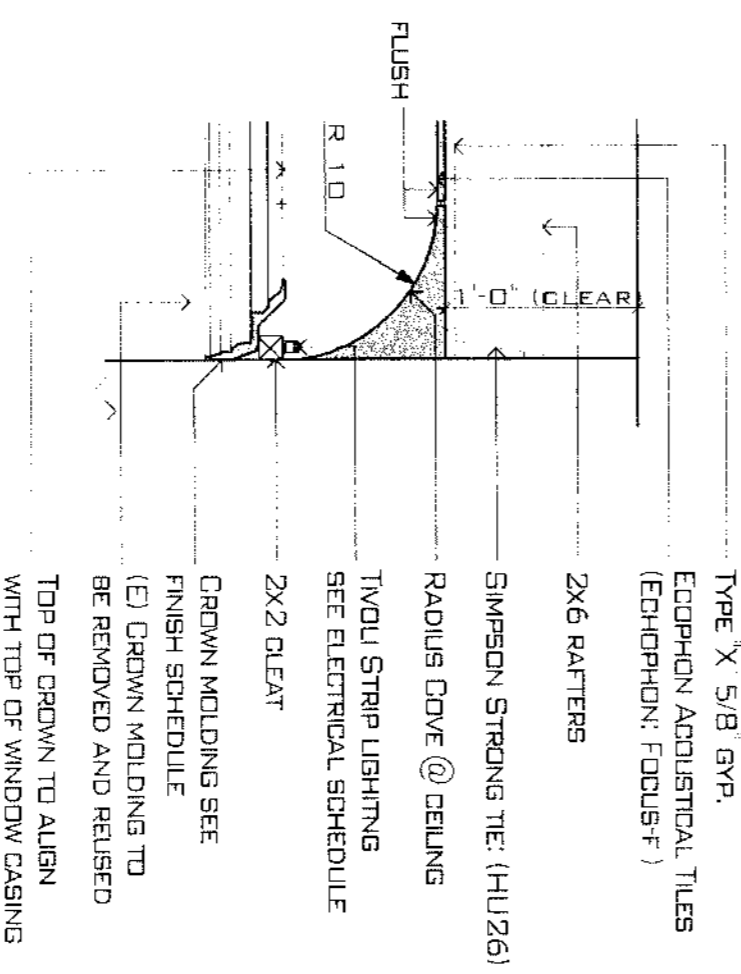


3 VANITY ADA REQUIREMENTS (TYP.)
SCALE: 1/2" = 1'-0"

GENERAL REQUIREMENTS:
1. DRIVE BARS SHALL HAVE A GRIPPING SURFACE WITH A DIAMETER OF 1/2\"/>



4 ADA TOILET REQUIREMENTS (TYP.)
SCALE: 1/2" = 1'-0"



6 COVE/CEILING DETAIL
SCALE: 1" = 1'-0"

DONALD OLSEN
ARCHITECTS & ASSOCIATES

666 BRIDGEMAN, SAUSALITO, CA 94965 TEL: 415/332-0297
FAX: 415/332-8869 EMAIL: DON@DKOARCHITECTS.COM



CITY HALL BATHROOMS
420 LITHO STREET
SAUSALITO, CA 94965
APN#: 064-165-12

RECEIVED
MAR 31 2011
CITY OF SAUSALITO
COMMUNITY DEVELOPMENT

REVISIONS	NO.

A4.0

APRIL 01, 2011