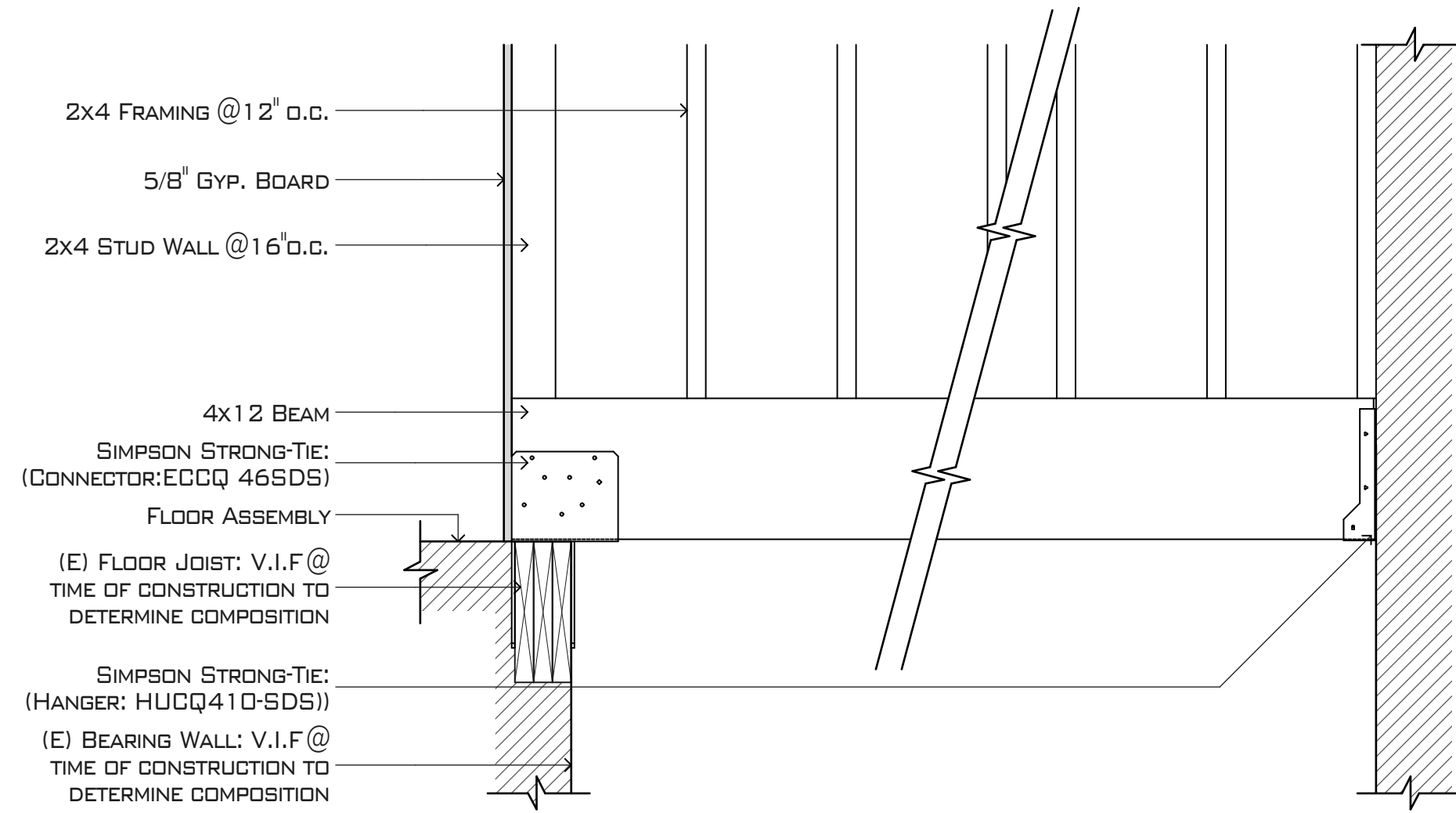
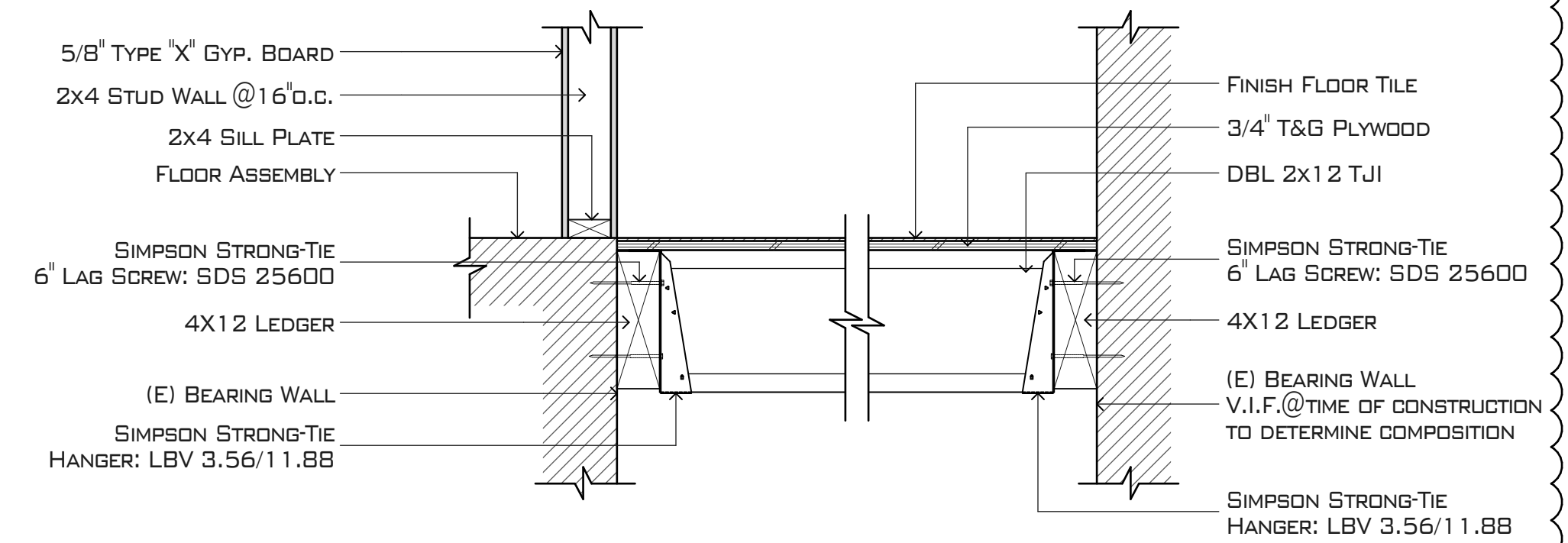


1 FRAMING DETAIL @ BATHROOM
SCALE: 1" = 1'-0"



2 4X12 SILL PLATE @ MEN'S BATHROOM
SCALE: 1" = 1'-0"



3 LEDGER DETAIL @ DBL TJI GIRDER
SCALE: 1" = 1'-0"

DONALD OLSEN
 ARCHITECTS & ASSOCIATES
 666 BRIDGEWAY, SAUSALITO, CA 94965 TEL: 415/332-0297
 FAX: 415/332-8669 EMAIL: DON@DKARCHITECTS.COM

CITY HALL BATHROOMS
 420 LITHO STREET
 SAUSALITO, CA 94965
 APN#: 064-165-12

REVISIONS	NO.
B.P. REV. 7/12/11	1
B.P. REV. 7/21/11	2
B.P. REV. 8/30/11	3

A4.1

JULY 07, 2011