

SAUSALITO
PUBLIC
RESTROOMS

APN # 065-073-02

768 BRIDGEWAY
SAUSALITO, CA 94965

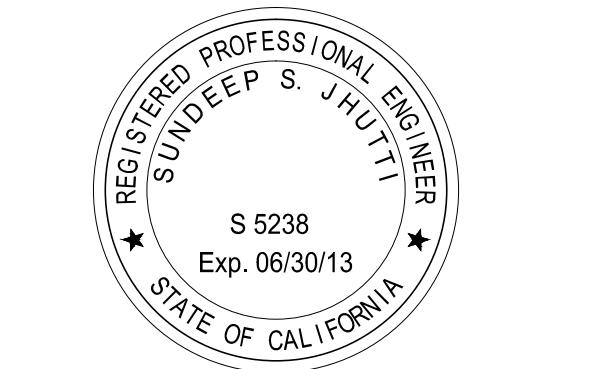
Werner Associates
Architects

30 Liberty Ship Way Suite 3250
Sausalito, CA 94965-3325
(415) 332-9300 FAX (415) 332-9311


SUBSTRATE, INC.
DESIGN & CONSTRUCTION MANAGEMENT
1758 Silverado Circle
Petaluma, CA 94954
P 707.591.3031 F 707.762.2577

7	ISSUED FOR BID	5/7/2012
6	REVISIONS	5/7/2012
3	REVISIONS	4/13/2012
2	ISSUED PER PLAN CHECK	4/13/2012
1	ISSUED FOR BUILDING PERMIT	3/2/2012
No.	Description	Date

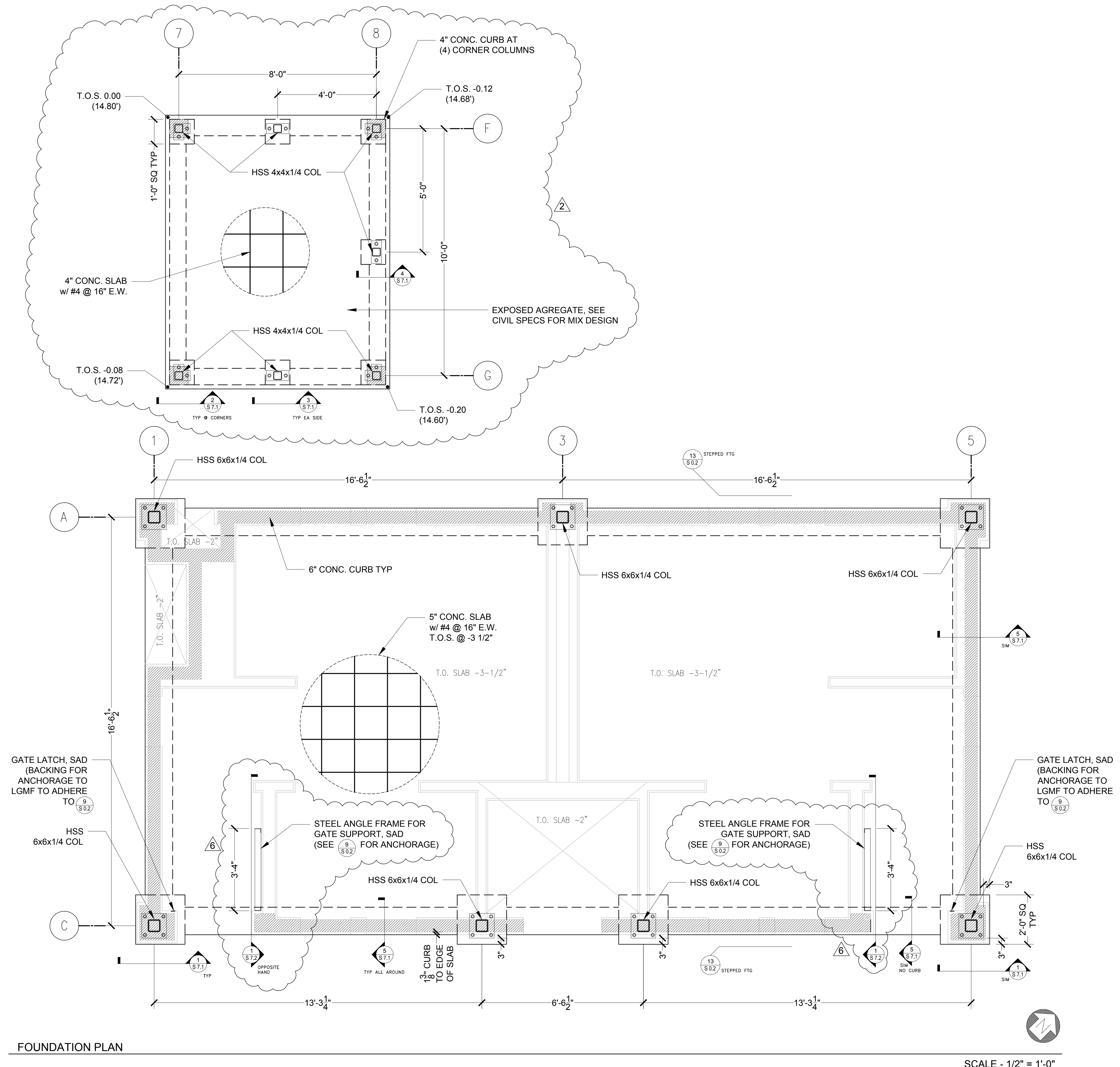
REVISIONS



DATE: 02/10/12
PROJECT NO.: 1201-300
DRAWN BY: WES

FOUNDATION
PLAN

S 2.1



FOUNDATION PLAN

SCALE - 1/2" = 1'-0"

SAUSALITO
PUBLIC
RESTROOMS

APN # 065-073-02
768 BRIDGEWAY
SAUSALITO, CA 94965

Werner Associates
Architects

30 Liberty Ship Way Suite 3250
Sausalito, CA 94965-3325
(415) 332-9300 FAX (415) 332-9311

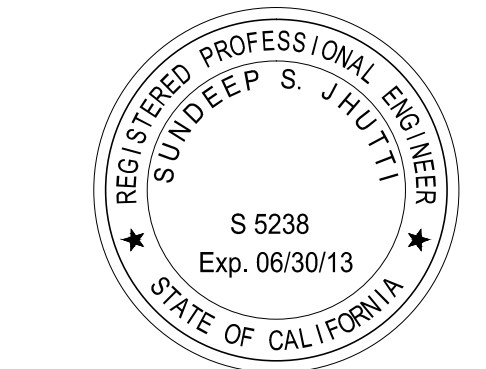


SUBSTRATE, INC.
DESIGN & CONSTRUCTION MANAGEMENT
1758 Silverado Circle
Petaluma, CA 94954
P 707.591.3031 F 707.762.2577

7	ISSUED FOR BID	5/7/2012
6	REVISIONS	5/7/2012
3	REVISIONS	4/13/2012
2	ISSUED PER PLAN CHECK	4/13/2012
1	ISSUED FOR BUILDING PERMIT	3/2/2012

No.	Description	Date
-----	-------------	------

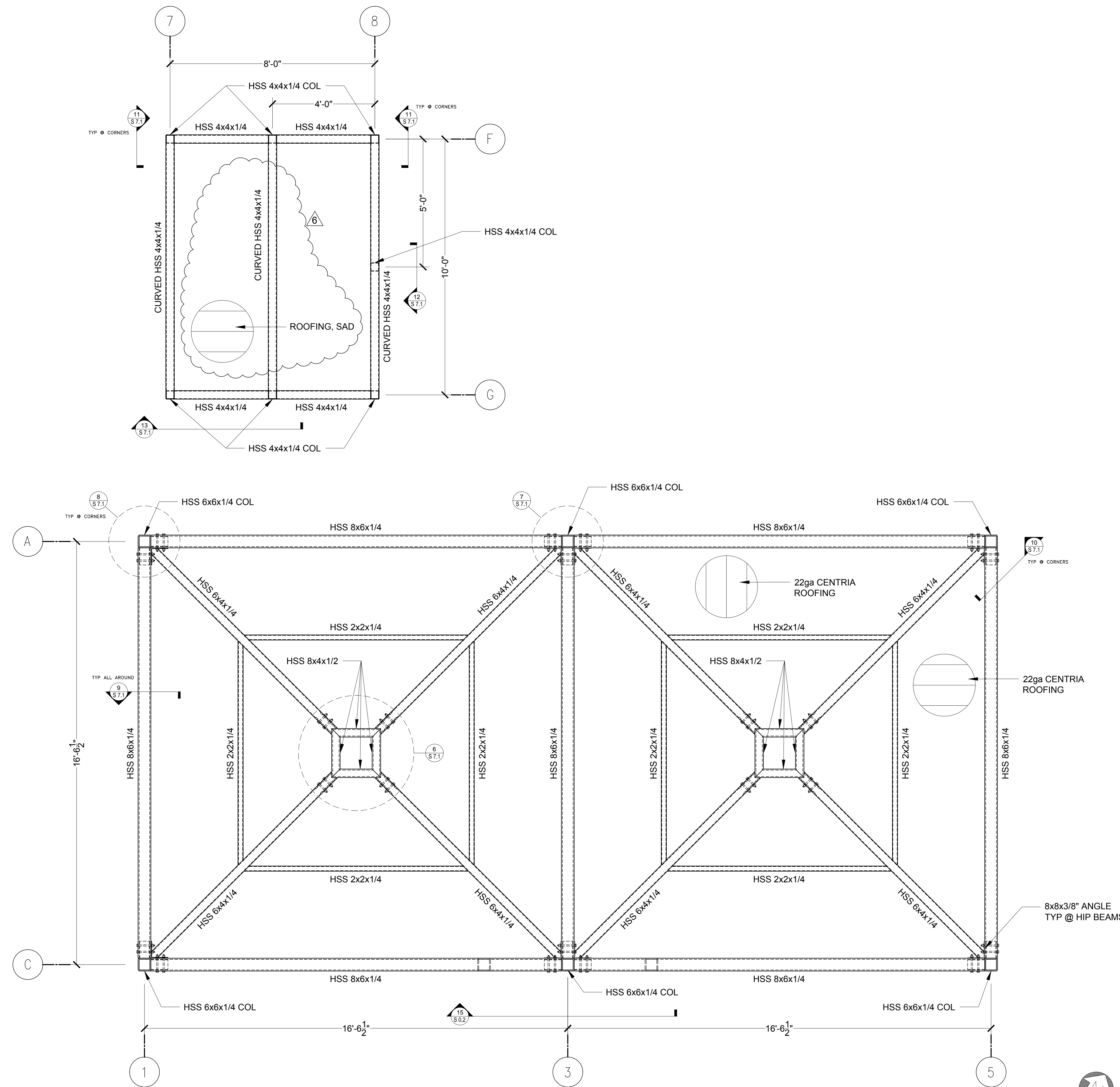
REVISIONS



DATE: 02/10/12
PROJECT NO.: 1201-300
DRAWN BY: WES

ROOF FRAMING
PLAN

S 2.2



ROOF PLAN

SCALE - 1/2" = 1'-0"

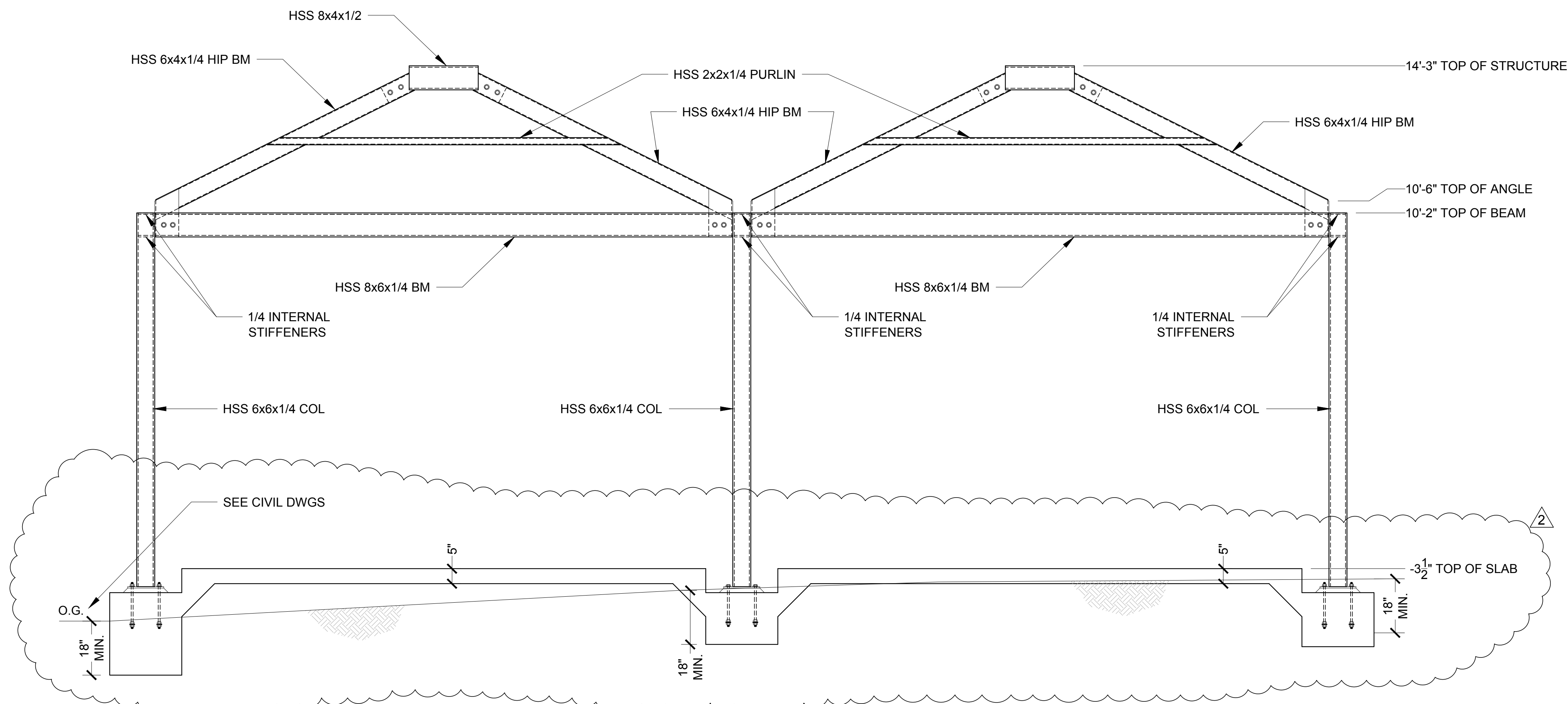
SAUSALITO
PUBLIC
RESTROOMS

APN # 065-073-02
768 BRIDGEWAY
SAUSALITO, CA 94965

Werner Associates
Architects

30 Liberty Ship Way Suite 3250
Sausalito, CA 94965-3325
(415) 332-9300 FAX (415) 332-9311

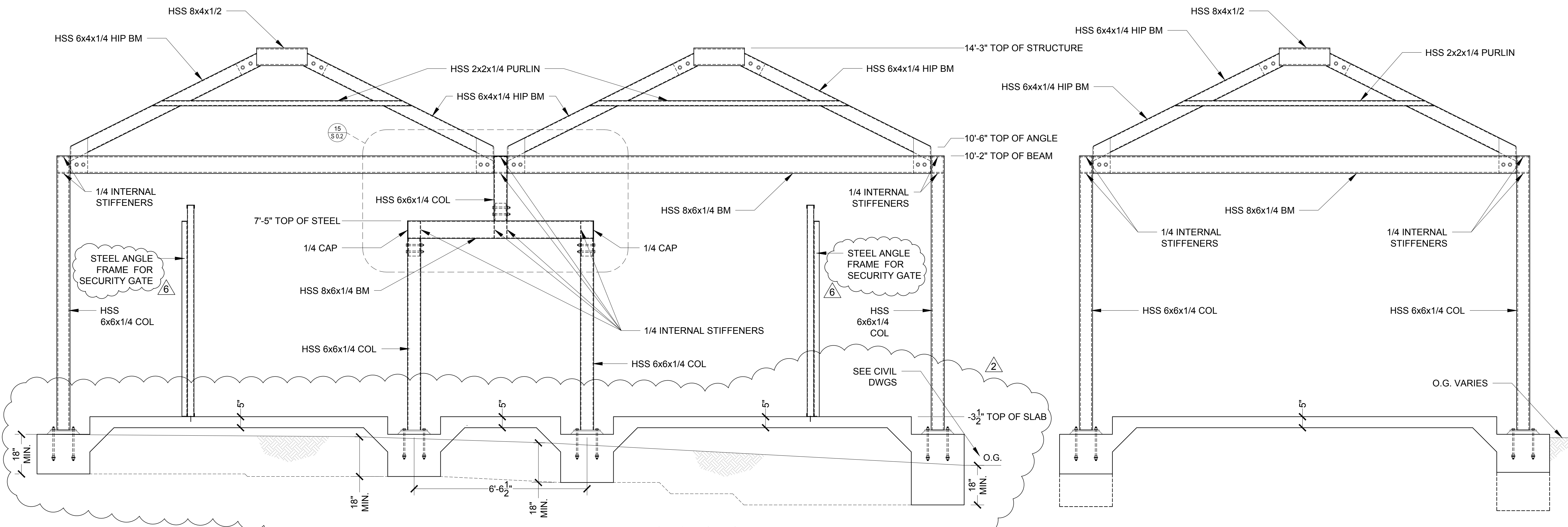

SUBSTRATE, INC.
DESIGN & CONSTRUCTION MANAGEMENT
1758 Silverado Circle
Petaluma, CA 94954
P 707.591.3031 F 707.762.2577



NOTE:
ROOFING AND WALLS NOT SHOWN FOR CLARITY.

REST ROOM NORTH FRAME ELEVATION

SCALE - 1/2" = 1'-0"



REST ROOM SOUTH FRAME ELEVATION

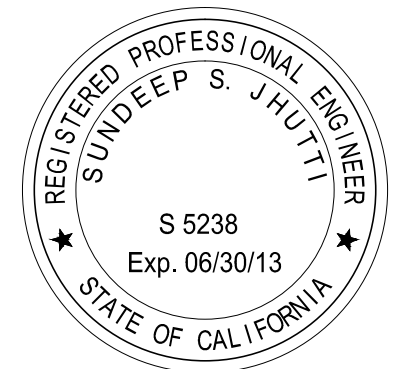
SCALE - 1/2" = 1'-0"

REST ROOM EAST & WEST FRAME ELEVATION

SCALE - 1/2" = 1'-0"

7	ISSUED FOR BID	5/7/2012
6	REVISIONS	5/7/2012
3	REVISIONS	4/13/2012
2	ISSUED PER PLAN CHECK	4/13/2012
1	ISSUED FOR BUILDING PERMIT	3/2/2012
No.	Description	Date

REVISIONS



DATE: 02/13/12
PROJECT NO.: 1201-300
DRAWN BY: WES

STRUCTURAL
ELEVATIONS

S 4.1

SAUSALITO
PUBLIC
RESTROOMS

APN # 065-073-02
768 BRIDGEWAY
SAUSALITO, CA 94965

Werner Associates
Architects

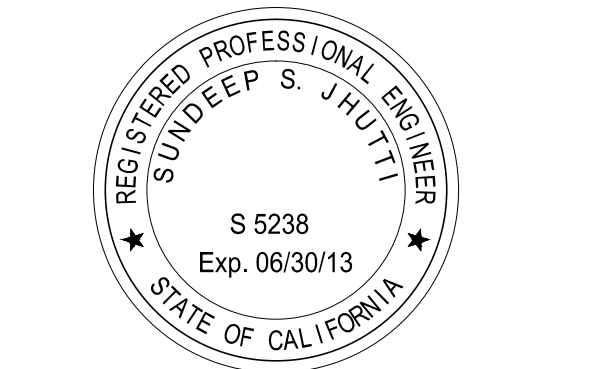
30 Liberty Ship Way ■ Suite 3250
Sausalito, CA 94965-3325
(415) 332-9300 FAX (415) 332-9311


SUBSTRATE, INC.
DESIGN & CONSTRUCTION MANAGEMENT
1758 Silverado Circle
Petaluma, CA 94954
P 707.591.3031 F 707.762.2577

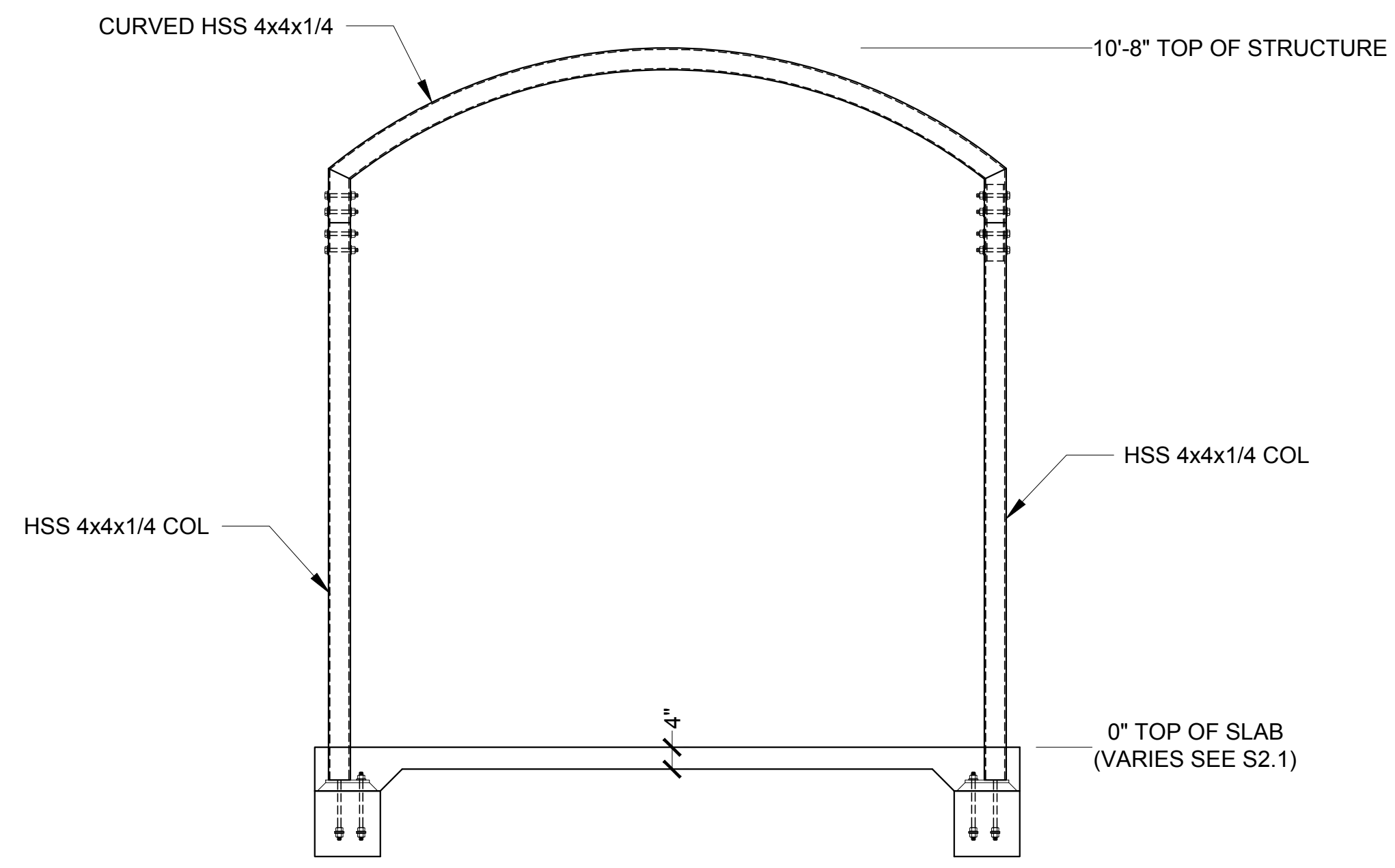
7	ISSUED FOR BID	5/7/2012
6	REVISIONS	5/7/2012
3	REVISIONS	4/13/2012
2	ISSUED PER PLAN CHECK	4/13/2012
1	ISSUED FOR BUILDING PERMIT	3/2/2012

No.	Description	Date
-----	-------------	------

REVISIONS

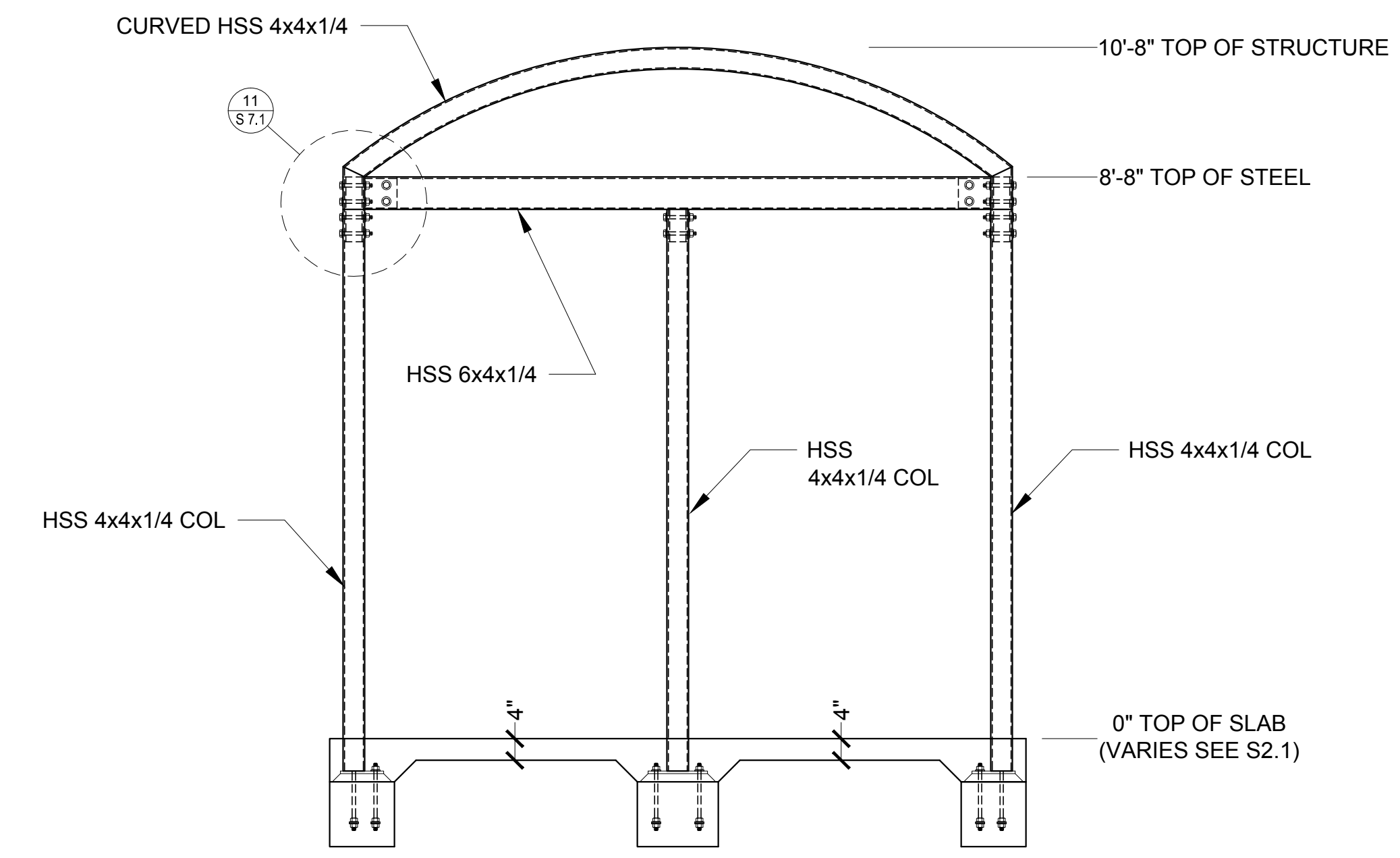


DATE: 02/13/12
PROJECT NO.: 1201-300
DRAWN BY: WES



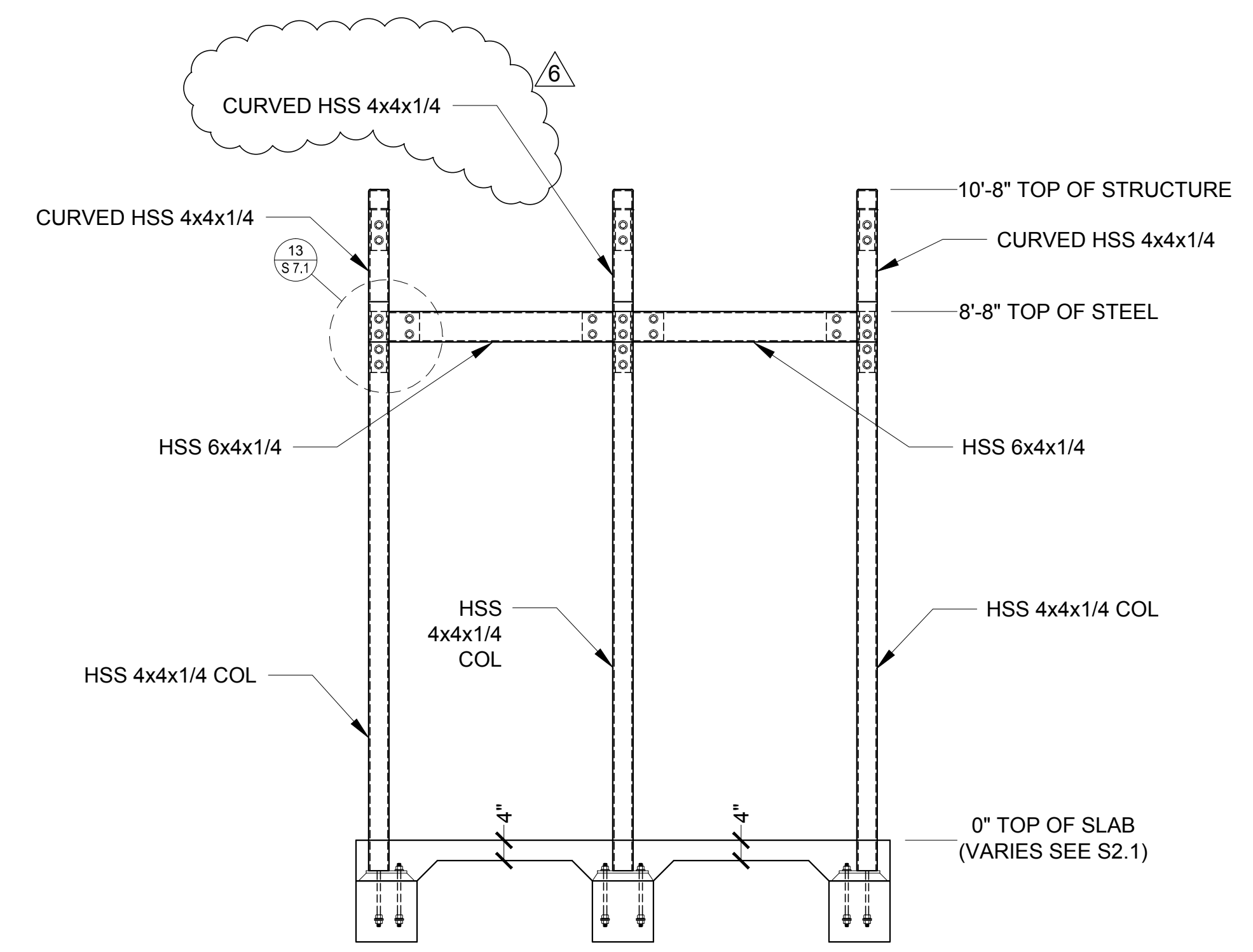
BUS STOP WEST FRAME ELEVATION

SCALE - 1/2" = 1'-0"



BUS STOP EAST FRAME ELEVATION

SCALE - 1/2" = 1'-0"



BUS STOP NORTH & SOUTH FRAME ELEVATION

SCALE - 1/2" = 1'-0"

STRUCTURAL
ELEVATIONS

S 4.2

**SAUSALITO
PUBLIC
RESTROOMS**

APN # 065-073-02

768 BRIDGEWAY
SAUSALITO, CA 94965

Werner Associates
Architects

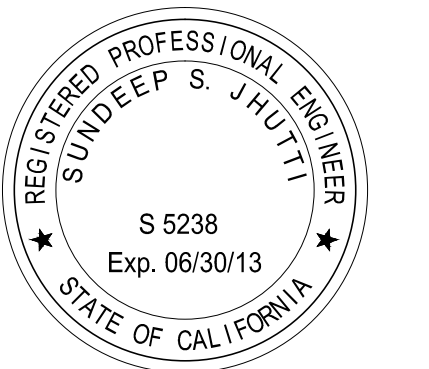
30 Liberty Ship Way Suite 3250
Sausalito, CA 94965-3325
(415) 332-9300 FAX (415) 332-9311



SUBSTRATE, INC.
DESIGN & CONSTRUCTION MANAGEMENT
1758 Silverado Circle
Petaluma, CA 94954
P 707.591.3031 F 707.762.2577

No.	Description	Date
7	ISSUED FOR BID	5/7/2012
6	REVISIONS	5/7/2012
3	REVISIONS	4/13/2012
2	ISSUED PER PLAN CHECK	4/13/2012
1	ISSUED FOR BUILDING PERMIT	3/2/2012

REVISIONS



DATE: 02/10/12
PROJECT NO.: 1201-300
DRAWN BY: WES

**STRUCTURAL
DETAILS**

S 7.1

<p>BUS STOP CONN. DETAIL 1"=1'-0" 13</p>	<p>REST ROOM ROOF 1"=1'-0" 9</p>	<p>REST ROOM MID-COLUMN CONN 1"=1'-0" 7</p>	<p>BUS STOP COL @ SLAB CONNECTION DETAIL 1"=1'-0" 4</p>
<p>BUS STOP CONN. DETAIL 1"=1'-0" 12</p>	<p>NOTE ROOF HIP BM ANGLES NOT SHOWN FOR CLARITY</p> <p>CORNER COL CONN SECTION 1"=1'-0" 8.1</p>	<p>REST ROOM ROOF PEAK 1"=1'-0" 6.1</p>	<p>TYP BUS STOP FOOTING @ MIDWAY SIDE DETAIL 1"=1'-0" 3</p>
<p>BUS STOP CONN. DETAIL 1"=1'-0" 11</p>	<p>REST ROOM CORNER COL CONN 1"=1'-0" 8</p>	<p>REST ROOM ROOF PEAK 1"=1'-0" 6</p>	<p>TYP BUS STOP FOOTING @ CORNER DETAIL 1"=1'-0" 2</p>
<p>NOTE ROOFING FLASHING NOT SHOWN FOR CLARITY</p> <p>REST ROOM CORNER HIP CONN 1"=1'-0" 10</p>	<p>NOTE ROOF HIP BM ANGLES NOT SHOWN FOR CLARITY</p> <p>MID COL CONN SECTION 1"=1'-0" 7.1</p>	<p>TYP REST ROOM CONT FTG 1"=1'-0" 5</p>	<p>TYP REST ROOM FOOTING DETAIL 1"=1'-0" 1</p>

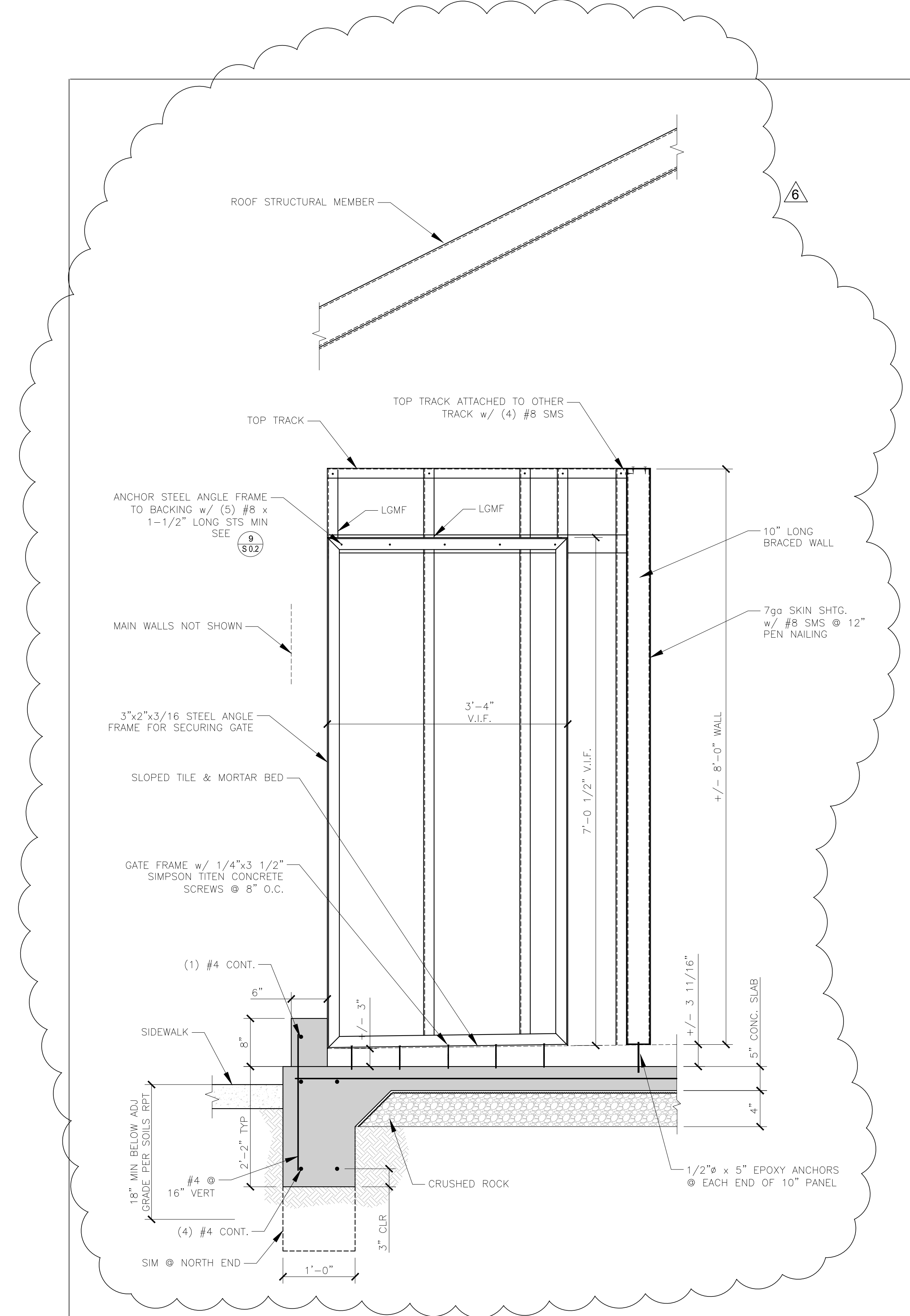
SAUSALITO
PUBLIC
RESTROOMS

APN # 065-073-02
768 BRIDGEWAY
SAUSALITO, CA 94965

Werner Associates
Architects

30 Liberty Ship Way ■ Suite 3250
Sausalito, CA 94965-3325
(415) 332-9300 FAX (415) 332-9311


SUBSTRATE, INC.
DESIGN & CONSTRUCTION MANAGEMENT
1758 Silverado Circle
Petaluma, CA 94954
P 707.591.3031 F 707.762.2577



STEEL ANGLE FRAME SUPPORT DETAIL

1"=1'-0" 1

No.	Description	Date
7	ISSUED FOR BID	5/7/2012
6	REVISIONS	5/7/2012
3	REVISIONS	4/13/2012
2	ISSUED PER PLAN CHECK	4/13/2012
1	ISSUED FOR BUILDING PERMIT	3/2/2012

REVISIONS



DATE: 02/10/12
PROJECT NO.: 1201-300
DRAWN BY: WES

STRUCTURAL
DETAILS

S 7.2