

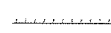

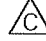

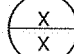
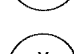
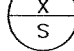
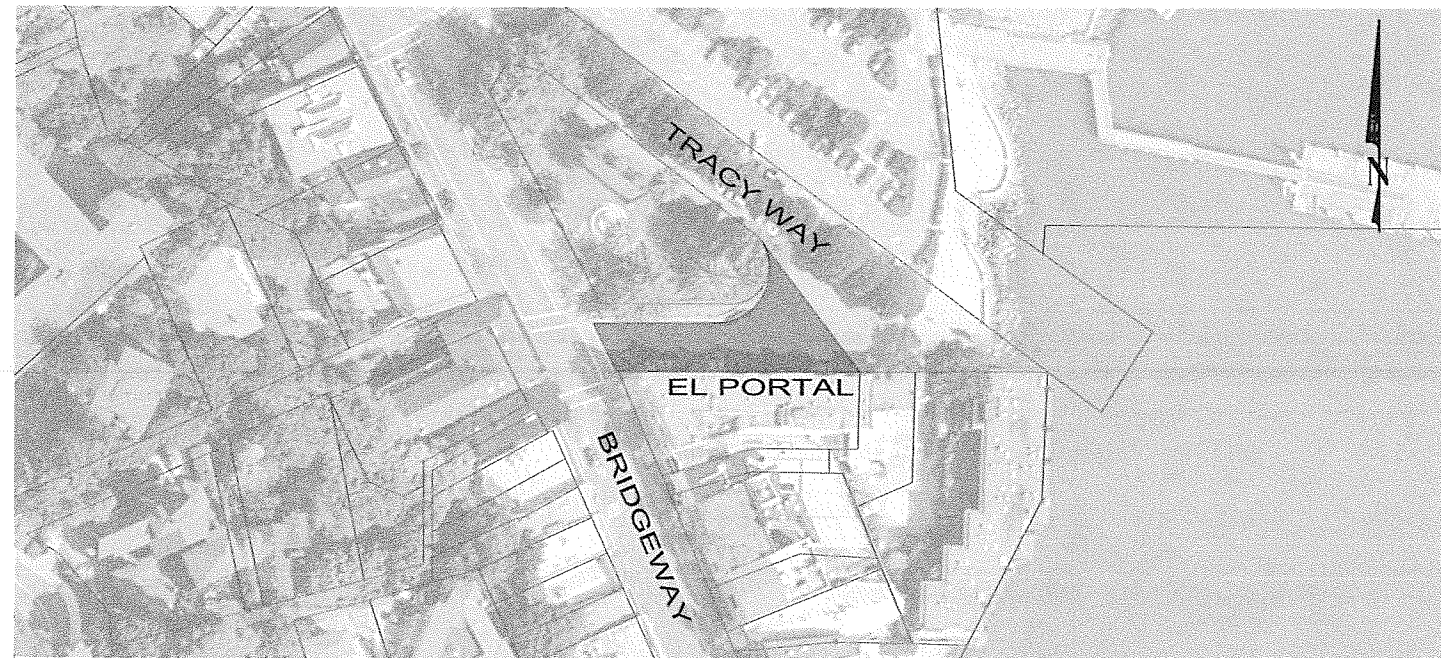


This document, together with the contracts and design presented herein, is intended only for the specific purpose and client for which it was prepared. Reuse of and improper reliance on this document without written authorization and adoption by Kimley-Horn and Associates, Inc. shall be without liability to Kimley-Horn and Associates, Inc.

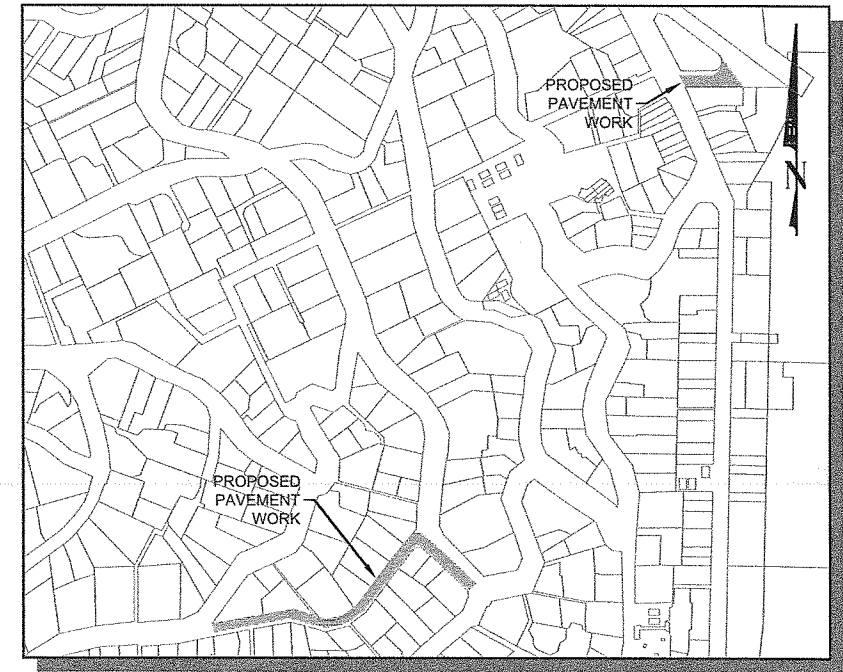
**LEGEND:**

-  AREA OF TREATMENT
-  FAILURE REPAIR AREA
-  SAWCUT
-  BASE FAILURE REPAIR  
SEE CD-02 FOR DETAILS
-  PCC FAILURE REPAIR  
SEE CD-02 FOR DETAILS
-  PAVEMENT FAILURE REPAIR  
SEE CD-02 FOR DETAILS
-  DETAIL NUMBER
-  SHEET NUMBER
-  STANDARD DETAIL NUMBER  
CALTRANS STANDARD PLANS



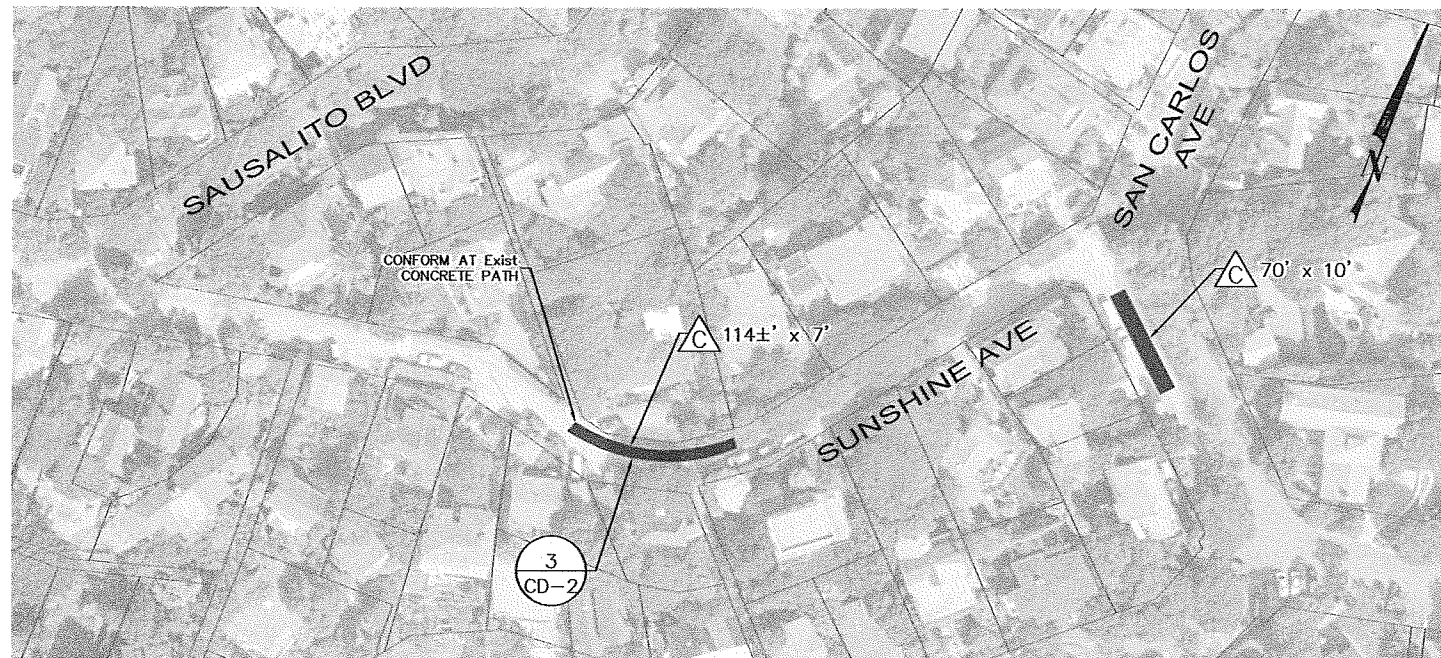
**SECTION 3: EL PORTAL ST (BRIDGEWAY TO TRACY WAY)**  
TREATMENT: CRACK SEAL

NTS



**LOCATION MAP**

NTS



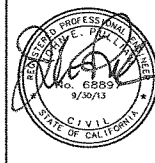
**SECTION 4: SUNSHINE AVE (SAUSALITO BLVD TO SAN CARLOS AVE)**  
TREATMENT: PCC REPAIR

NTS



No.	REVISIONS	DATE	BY

**Kimley-Horn and Associates, Inc.**  
 © 2013 KIMLEY-HORN AND ASSOCIATES, INC.  
 6130 STONERIDGE MALL RD, STE 370 PLEASANTON, CA 94588  
 PHONE: 925-398-4840 FAX: 925-398-4849  
 WWW.KIMLEY-HORN.COM



DESIGNED BY TH/JP	DRAWN BY TH/CG	CHECKED BY JP
PLANS PREPARED UNDER SUPERVISION OF:		
JOHN PULLIAM, P.E. REGISTERED CIVIL ENGINEER		
APRIL 2013 DATE	68897 RCE NO.	



**PROJECT LAYOUT PLANS**  
**EL PORTAL ST AND SUNSHINE AVE**

CITY OF SAUSALITO 2013 STREET IMPROVEMENT PROJECT

DRAWING NO PL-02
SHEET 05 of 27
JOB No. 097901001

K:\BAY\_ROW\Design\CAD\Plan Sheets\05 PL-02 - EL PORTAL ST AND SUNSHINE AVE.dwg, Layout:05 PL-02 - EL PORTAL ST AND SUNSHINE AVE Apr 19, 2013 - 8:56am Plotted by: daniel.cairny