

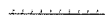

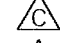
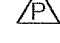
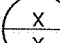

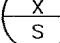
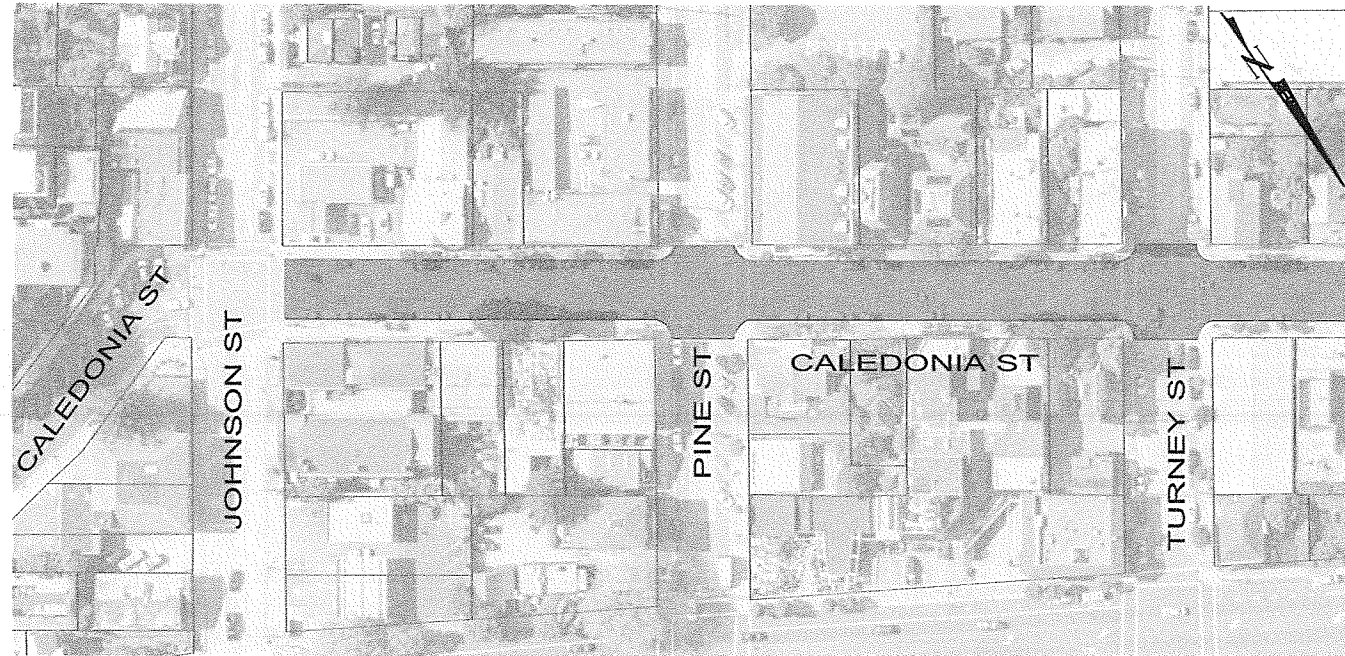


This document, together with the concepts and designs presented herein, is intended solely for the specific purpose and client for which it was prepared. Plans of and proper reliance on this document without written authorization and association by Kimley-Horn and Associates, Inc. shall be without liability to Kimley-Horn and Associates, Inc.

LEGEND:

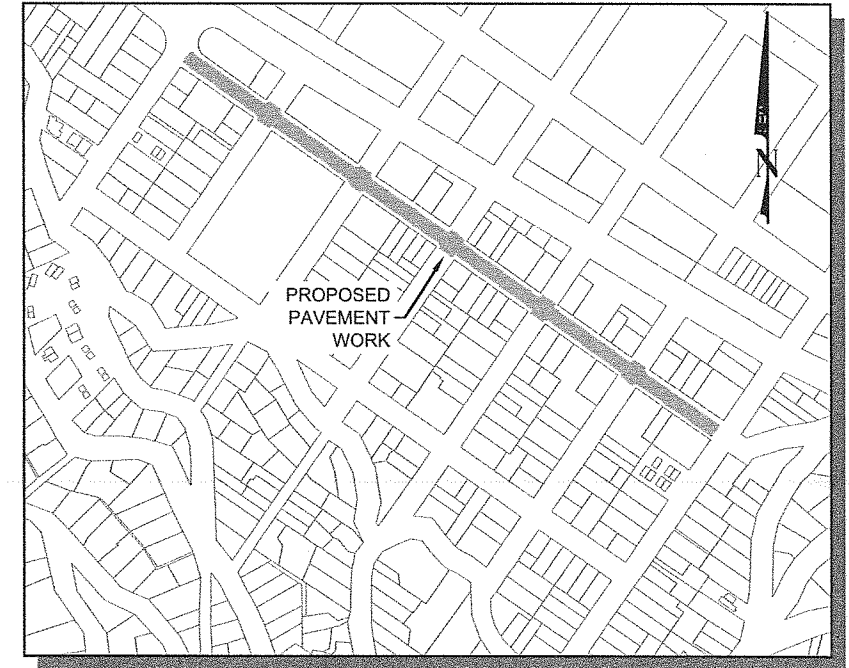
-  AREA OF TREATMENT
-  FAILURE REPAIR AREA
-  SAWCUT
-  BASE FAILURE REPAIR
SEE CD-02 FOR DETAILS
-  PCC FAILURE REPAIR
SEE CD-02 FOR DETAILS
-  PAVEMENT FAILURE REPAIR
SEE CD-02 FOR DETAILS
-  DETAIL NUMBER
-  SHEET NUMBER
-  STANDARD DETAIL NUMBER
CALTRANS STANDARD PLANS



SECTION 5: CALEDONIA ST (JOHNSON ST TO NAPA ST)
TREATMENT: CRACK SEAL

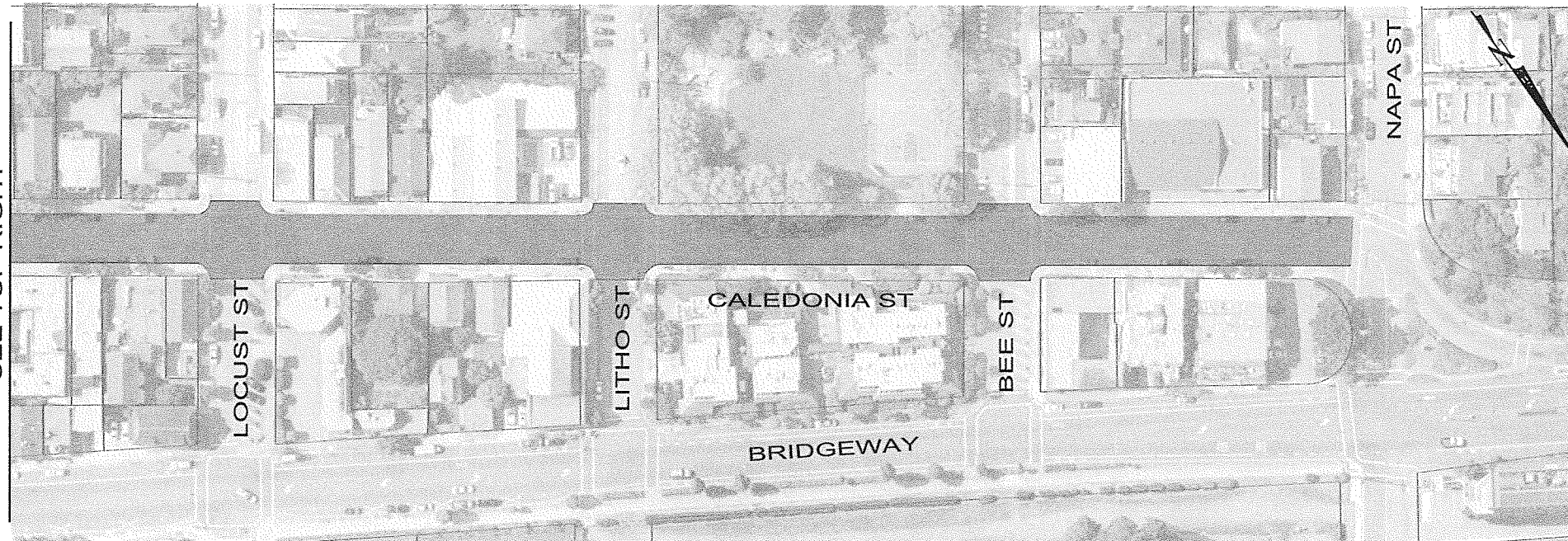
NTS

MATCH LINE
SEE BOTTOM LEFT



LOCATION MAP

NTS



SECTION 5: CALEDONIA ST (JOHNSON ST TO NAPA ST)
TREATMENT: CRACK SEAL

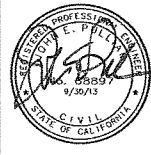
NTS

MATCH LINE
SEE TOP RIGHT



No.	REVISIONS	DATE	BY

Kimley-Horn and Associates, Inc.
 © 2013 KIMLEY-HORN AND ASSOCIATES, INC.
 6130 STONERIDGE MALL RD, STE 370 PLEASANTON, CA 94588
 PHONE: 925-398-4840 FAX: 925-398-4849
 WWW.KIMLEY-HORN.COM



DESIGNED BY TH/JP	DRAWN BY TH/CG	CHECKED BY JP
PLANS PREPARED UNDER SUPERVISION OF:		
JOHN PULLIAM, P.E. REGISTERED CIVIL ENGINEER		
APRIL 2013 DATE	68897 RCE NO.	



**PROJECT LAYOUT PLANS
CALEDONIA ST**

CITY OF SAUSALITO 2013 STREET IMPROVEMENT PROJECT

DRAWING NO PL-03
SHEET 06 of 27
JOB No. 097901001

K:\BAY_LIN\097901001 - Sausalito Street Repair\Design\CAD\Plan Sheets\06 PL-03 - CALEDONIA ST.dwg, Layout:06 PL-03 - CALEDONIA ST Apr 19, 2013 - 8:59am Plotted by: demecreey