





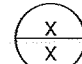
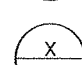



This document, together with the concepts and designs presented herein, is intended only for the specific purpose and client for which it was prepared. Review of and approval of this document without written authorization and approval by Kimley-Horn and Associates, Inc. shall be without liability to Kimley-Horn and Associates, Inc.

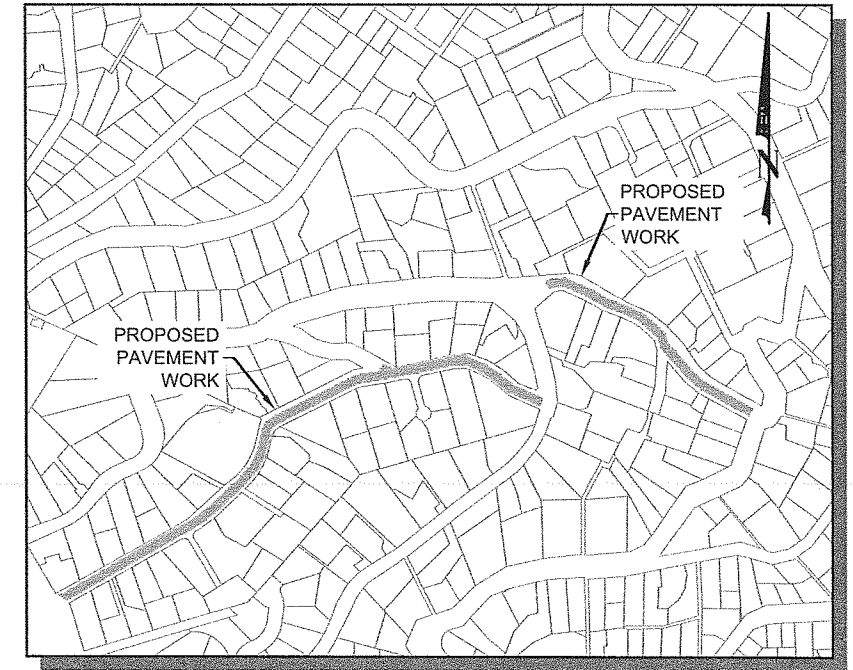
**LEGEND:**

-  AREA OF TREATMENT
-  FAILURE REPAIR AREA
-  SAWCUT
-  BASE FAILURE REPAIR  
SEE CD-02 FOR DETAILS
-  PCC FAILURE REPAIR  
SEE CD-02 FOR DETAILS
-  PAVEMENT FAILURE REPAIR  
SEE CD-02 FOR DETAILS
-  DETAIL NUMBER
-  SHEET NUMBER
-  STANDARD DETAIL NUMBER  
CALTRANS STANDARD PLANS



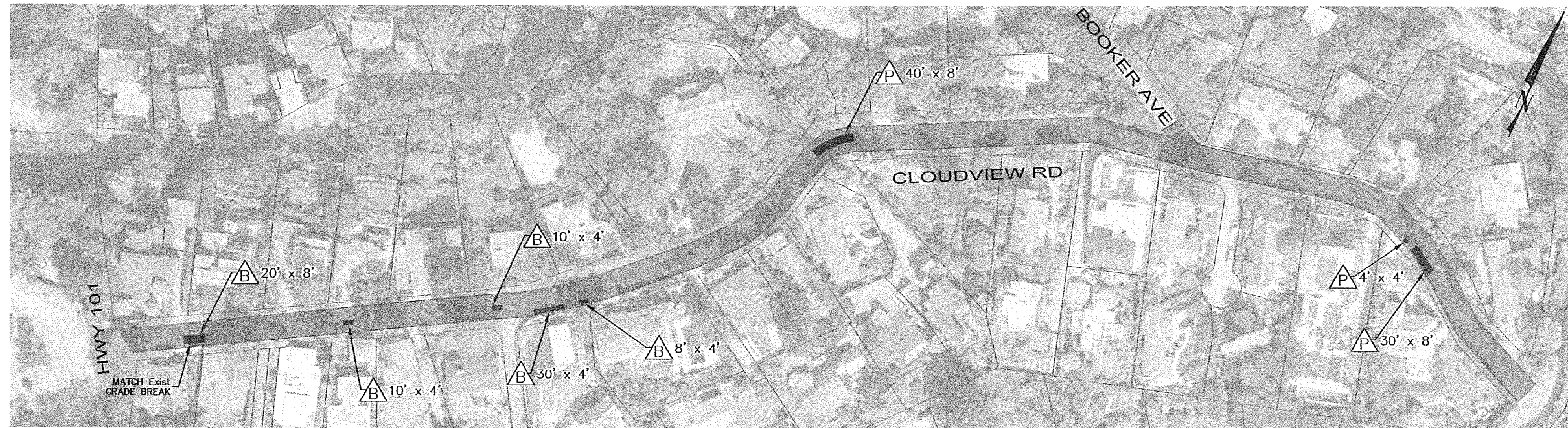
**SECTION 6: SPENCER AVE (PROSPECT AVE TO SAUSALITO BLVD)**  
TREATMENT: CRACK SEAL & CAPE SEAL

NTS



**LOCATION MAP**

NTS



**SECTION 7: CLOUDVIEW RD (PROSPECT AVE TO HWY 101)**  
TREATMENT CRACK SEAL & SLURRY SEAL

NTS



No.	REVISIONS	DATE	BY



**Kimley-Horn  
and Associates, Inc.**

© 2013 KIMLEY-HORN AND ASSOCIATES, INC.  
6130 STONERIDGE MALL RD, STE 370 PLEASANTON, CA 94588  
PHONE: 925-398-4840 FAX: 925-398-4849  
WWW.KIMLEY-HORN.COM



DESIGNED BY TH/JP	DRAWN BY TH/CG	CHECKED BY JP
PLANS PREPARED UNDER SUPERVISION OF:		
JOHN PULLIAM, P.E. REGISTERED CIVIL ENGINEER		
APRIL 2013 DATE	68897 RCE NO.	



**PROJECT LAYOUT PLANS**  
**SPENCER AVE AND CLOUDVIEW RD**

CITY OF SAUSALITO 2013 STREET IMPROVEMENT PROJECT

DRAWING NO	PL-04
SHEET	07 of 27
JOB No.	097901001

K:\BAY\_ROW\097901001 - Sausalito Street Repair\CAD\Plan Sheets\07 PL-04 - SPENCER AVE AND CLOUDVIEW RD.dwg, Layout: 07 PL-04 - SPENCER AVE AND CLOUDVIEW RD - Apr 19, 2013 - 9:00am Plotted by: donald.conry