

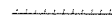


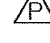
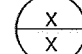
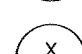

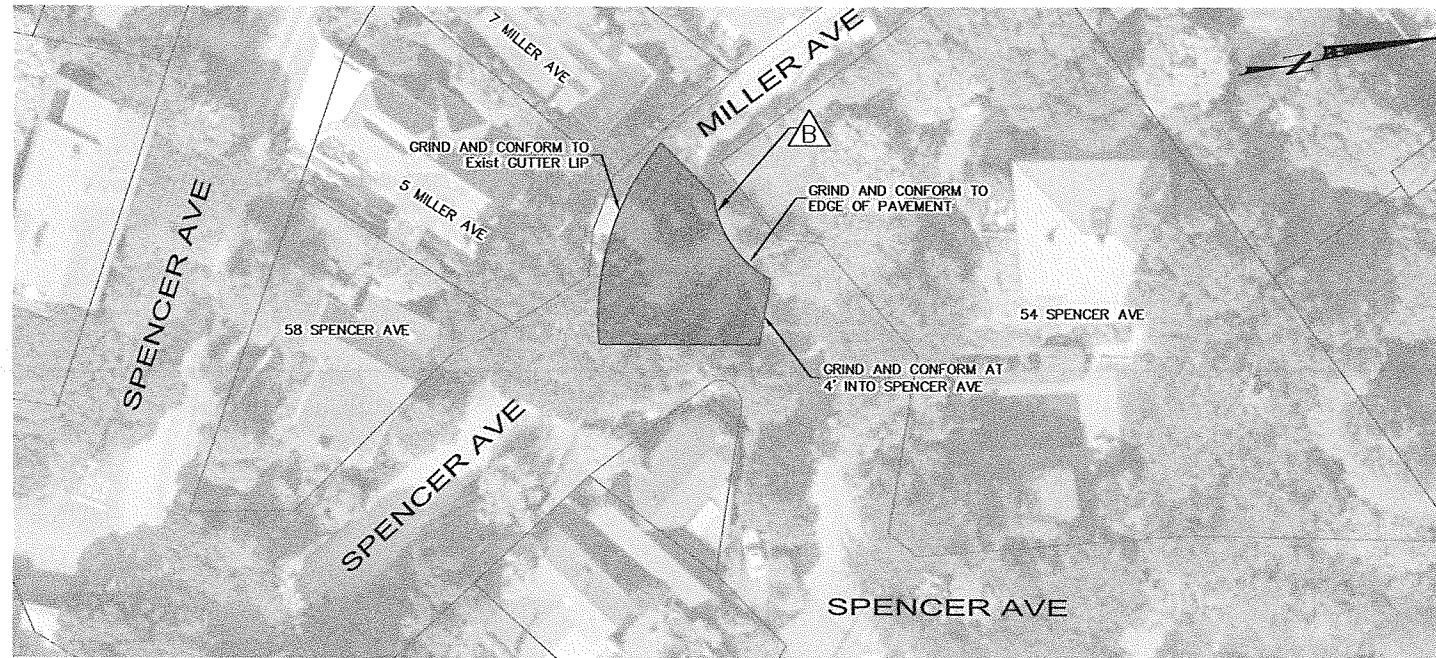


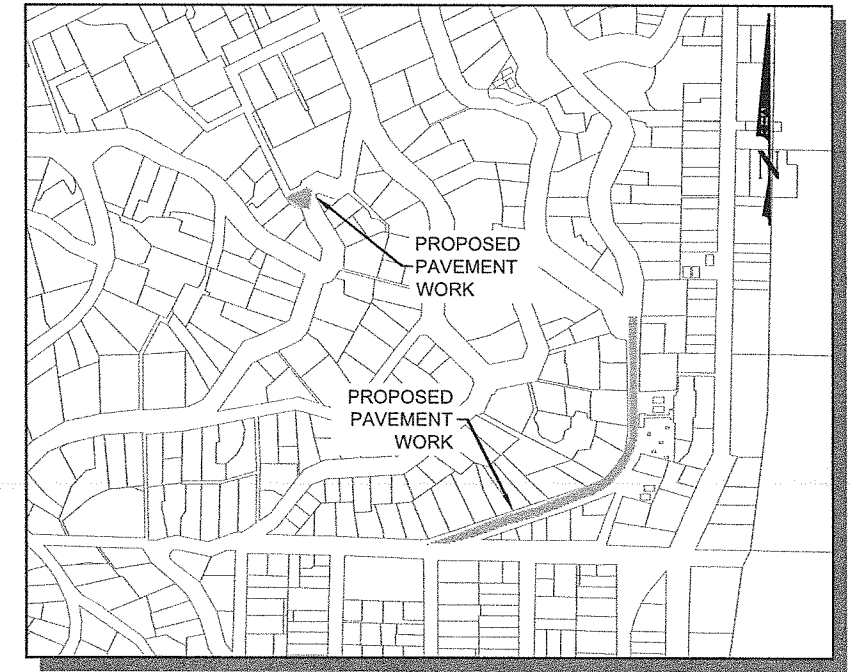
This document, together with the concepts and designs presented herein, is intended only for the specific project and client for which it was prepared. Reuse of and improper reliance on this document without written authorization and adaptation by Kimley-Horn and Associates, Inc. shall be without liability to Kimley-Horn and Associates, Inc.

LEGEND:

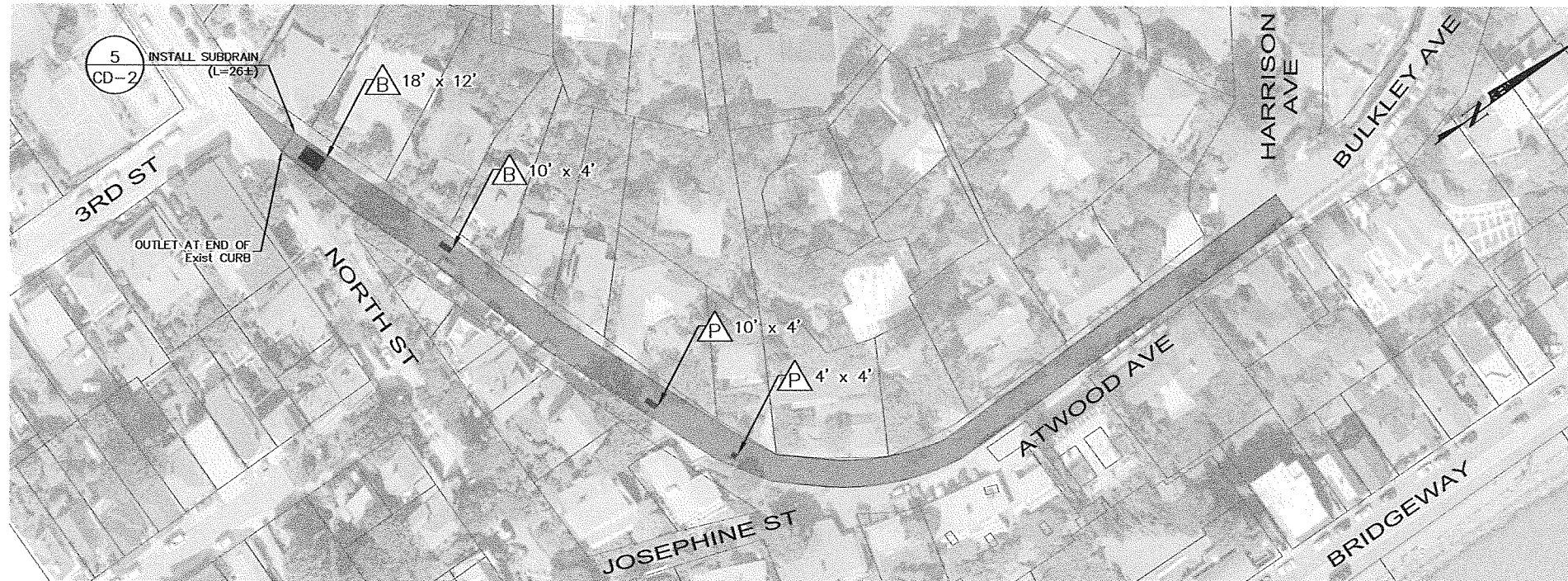
-  AREA OF TREATMENT
-  FAILURE REPAIR AREA
-  SAWCUT
-  BASE FAILURE REPAIR
SEE CD-02 FOR DETAILS
-  PCC FAILURE REPAIR
SEE CD-02 FOR DETAILS
-  PAVEMENT FAILURE REPAIR
SEE CD-02 FOR DETAILS
-  DETAIL NUMBER
-  SHEET NUMBER
-  STANDARD DETAIL NUMBER
CALTRANS STANDARD PLANS



SECTION 9: MILLER AVE & SPENCER AVE INTERSECTION
NTS



LOCATION MAP
NTS



SECTION 10: ATWOOD AVE (NORTH ST TO HARRISON/BULKLEY AVE)
TREATMENT: CRACK SEAL & CAPE SEAL
NTS



No.	REVISIONS	DATE	BY

Kimley-Horn and Associates, Inc.
© 2013 KIMLEY-HORN AND ASSOCIATES, INC.
6130 STONERIDGE MALL RD, STE 370 PLEASANTON, CA 94588
PHONE: 925-398-4840 FAX: 925-398-4849
WWW.KIMLEY-HORN.COM



DESIGNED BY TH/JP	DRAWN BY TH/CG	CHECKED BY JP
PLANS PREPARED UNDER SUPERVISION OF:		
JOHN PULLIAM, P.E. REGISTERED CIVIL ENGINEER		
APRIL 2013 DATE	68897 RCE NO.	



PROJECT LAYOUT PLANS
MILLER AVE AND ATWOOD AVE

CITY OF SAUSALITO 2013 STREET IMPROVEMENT PROJECT

DRAWING NO	PL-06
SHEET	09 of 27
JOB No.	097901001

K:\RAY_ROW\907901001 - Sausalito Street Repair\Design\CAD\Plan Sheets\09 PL-06 - MILLER AVE AND ATWOOD AVE.dwg, Layout:09 PL-06 - MILLER AVE AND ATWOOD AVE Apr 19, 2013 - 8:01am Plotted by: danis.cerrey