

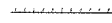

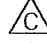

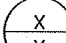

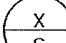


This document, together with the concepts and designs presented herein, is intended only for the specific purpose and client for which it was prepared. Plans of and insofar as they relate to the specific purpose and client for which it was prepared. Plans of and insofar as they relate to the specific purpose and client for which it was prepared. Plans of and insofar as they relate to the specific purpose and client for which it was prepared.

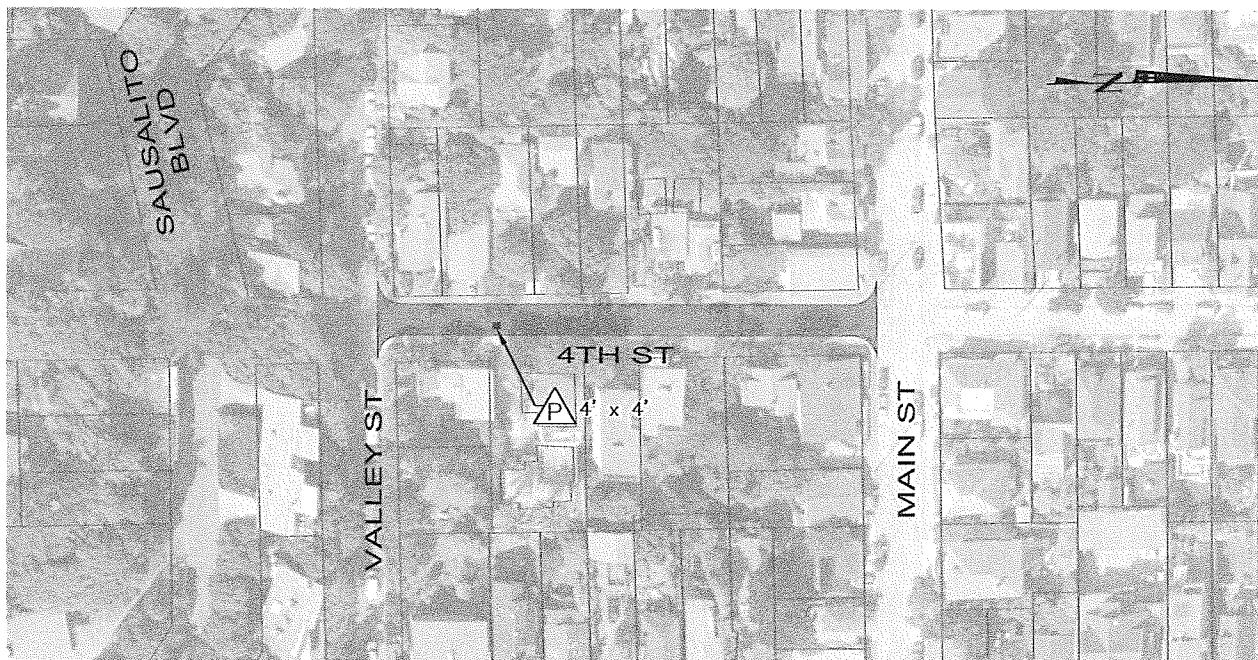
LEGEND:

-  AREA OF TREATMENT
-  FAILURE REPAIR AREA
-  SAWCUT
-  BASE FAILURE REPAIR
SEE CD-02 FOR DETAILS
-  PCC FAILURE REPAIR
SEE CD-02 FOR DETAILS
-  PAVEMENT FAILURE REPAIR
SEE CD-02 FOR DETAILS
-  DETAIL NUMBER
-  SHEET NUMBER
-  STANDARD DETAIL NUMBER
CALTRANS STANDARD PLANS



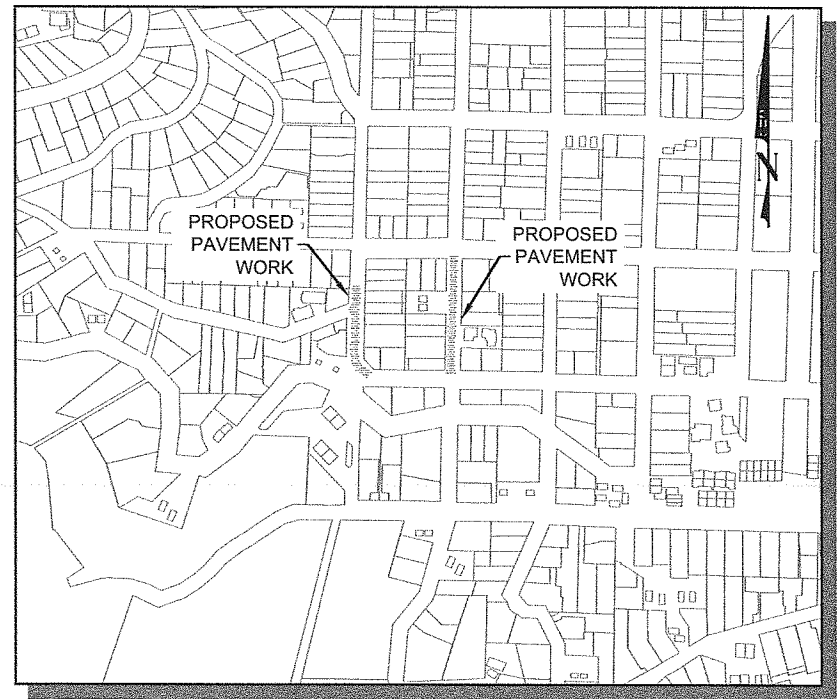
SECTION 11: WEST ST (VALLEY ST TO BRIDGE)
TREATMENT: CRACK SEAL & CAPE SEAL

NTS



SECTION 12: FOURTH ST (VALLEY ST TO MAIN ST)
TREATMENT: CRACK SEAL & CAPE SEAL

NTS



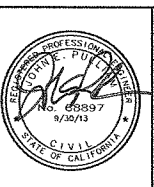
LOCATION MAP

NTS

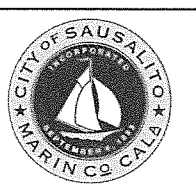


No.	REVISIONS	DATE	BY

Kimley-Horn and Associates, Inc.
 © 2013 KIMLEY-HORN AND ASSOCIATES, INC.
 6130 STONERIDGE MALL RD, STE 370 PLEASANTON, CA 94588
 PHONE: 925-398-4840 FAX: 925-398-4849
 WWW.KIMLEY-HORN.COM



DESIGNED BY TH/JP	DRAWN BY TH/CG	CHECKED BY JP
PLANS PREPARED UNDER SUPERVISION OF:		
JOHN PULLIAM, P.E. REGISTERED CIVIL ENGINEER		
APRIL 2013 DATE	68897 RCE NO.	



PROJECT LAYOUT PLANS
WEST ST AND 4TH ST

CITY OF SAUSALITO 2013 STREET IMPROVEMENT PROJECT

DRAWING NO PL-07
SHEET 10 of 27
JOB No. 097901001

K:\BAY_ROW\97901001 - Sausalito Street Repair\Design\CAD\Plan Sheets\10 PL-07 - WEST ST AND 4TH ST.dwg, Layout:10 PL-07 - WEST ST AND 4TH ST - Apr 15, 2013 - 9:02am Plotted by: daniel.caney