
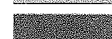
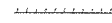

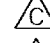
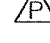
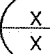
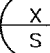
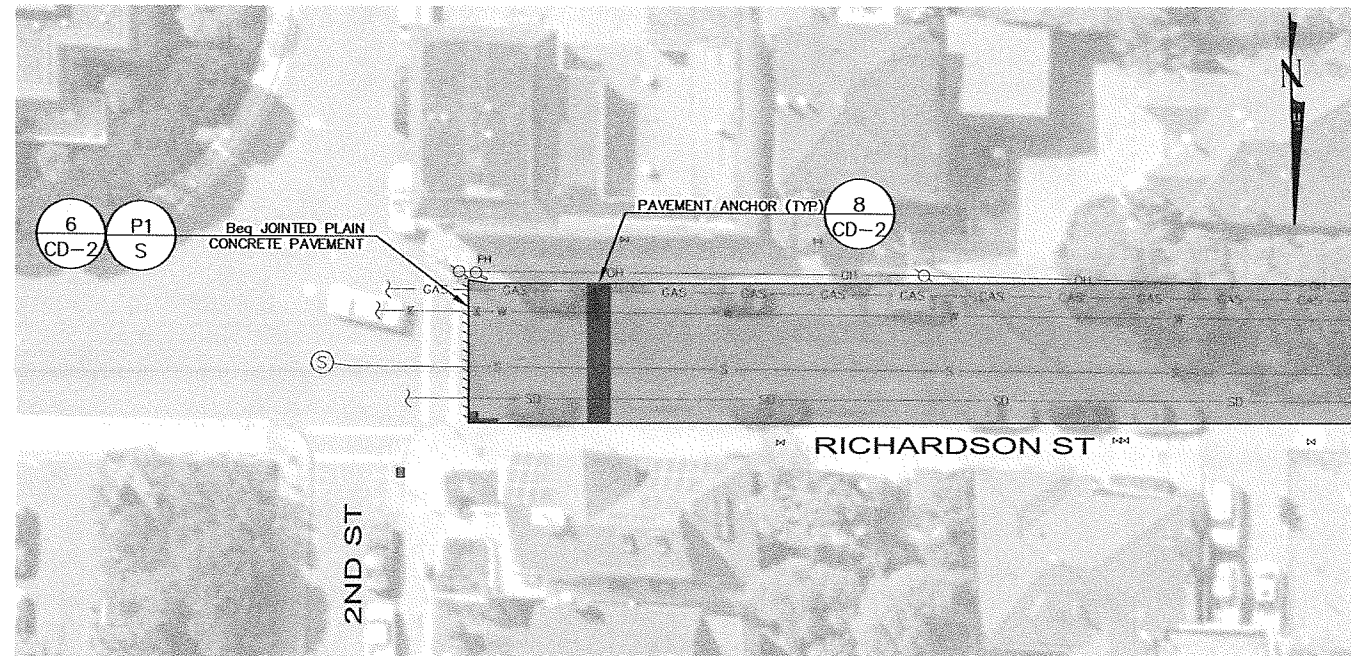


This document, together with the concepts and designs presented herein, is intended only for the specific project and client for which it was prepared. Plans of and improper reliance on this document without written authorization and adaptation by Kimley-Horn and Associates, Inc. may be without liability to Kimley-Horn and Associates, Inc.

LEGEND:

-  AREA OF TREATMENT
-  FAILURE REPAIR AREA
-  SAWCUT
-  BASE FAILURE REPAIR
SEE CD-02 FOR DETAILS
-  PCC FAILURE REPAIR
SEE CD-02 FOR DETAILS
-  PAVEMENT FAILURE REPAIR
SEE CD-02 FOR DETAILS
-  DETAIL NUMBER
SHEET NUMBER
-  STANDARD DETAIL NUMBER
CALTRANS STANDARD PLANS



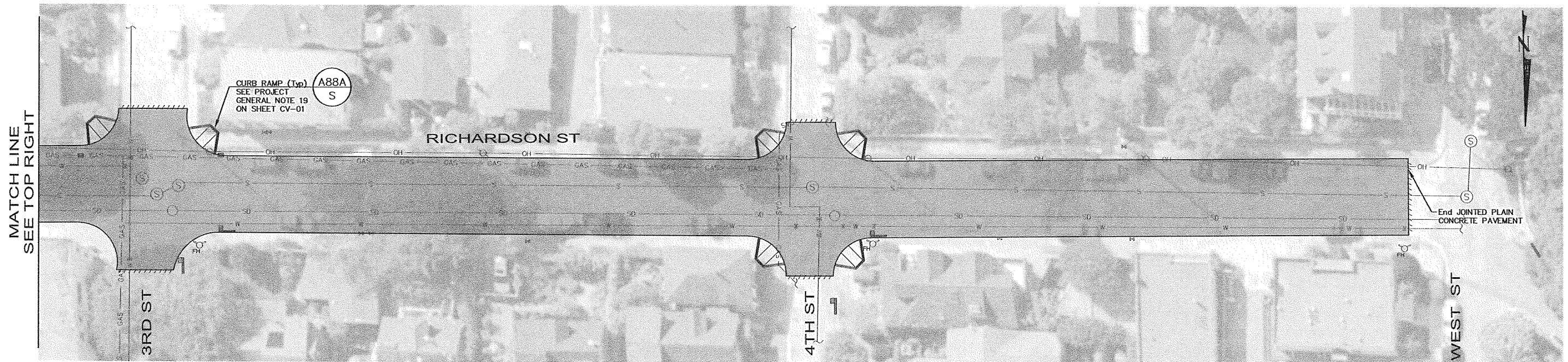
MATCH LINE
SEE BOTTOM LEFT



LOCATION MAP
NTS

SECTION 15: RICHARDSON ST (2ND ST TO WEST ST)
TREATMENT: PCC PAVEMENT REPLACEMENT

NTS



MATCH LINE
SEE TOP RIGHT

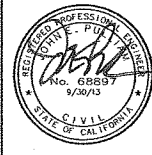
SECTION 15: RICHARDSON ST (2ND ST TO WEST ST)
TREATMENT: PCC PAVEMENT REPLACEMENT

NTS



No.	REVISIONS	DATE	BY

Kimley-Horn and Associates, Inc.
 © 2013 KIMLEY-HORN AND ASSOCIATES, INC.
 6130 STONERIDGE MALL RD, STE 370 PLEASANTON, CA 94588
 PHONE: 925-398-4840 FAX: 925-398-4849
 WWW.KIMLEY-HORN.COM



DESIGNED BY TH/JP	DRAWN BY TH/CG	CHECKED BY JP
PLANS PREPARED UNDER SUPERVISION OF: JOHN PULLIAM, P.E. REGISTERED CIVIL ENGINEER		
APRIL 2013 DATE	68897 RCE NO.	



PROJECT LAYOUT PLANS
RICHARDSON ST

CITY OF SAUSALITO 2013 STREET IMPROVEMENT PROJECT

DRAWING NO PL-09
SHEET 12 of 27
JOB No. 097901001

K:\BAYFLOW\097901001 - Sausalito Street Repair\Design\CAD\Plan Sheets\12 PL-09 - RICHARDSON ST.dwg, Layout:12 PL-09 - RICHARDSON ST Apr 18, 2013 - 8:04am Plotted by: camilecortez