

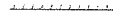


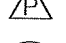
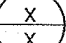

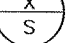
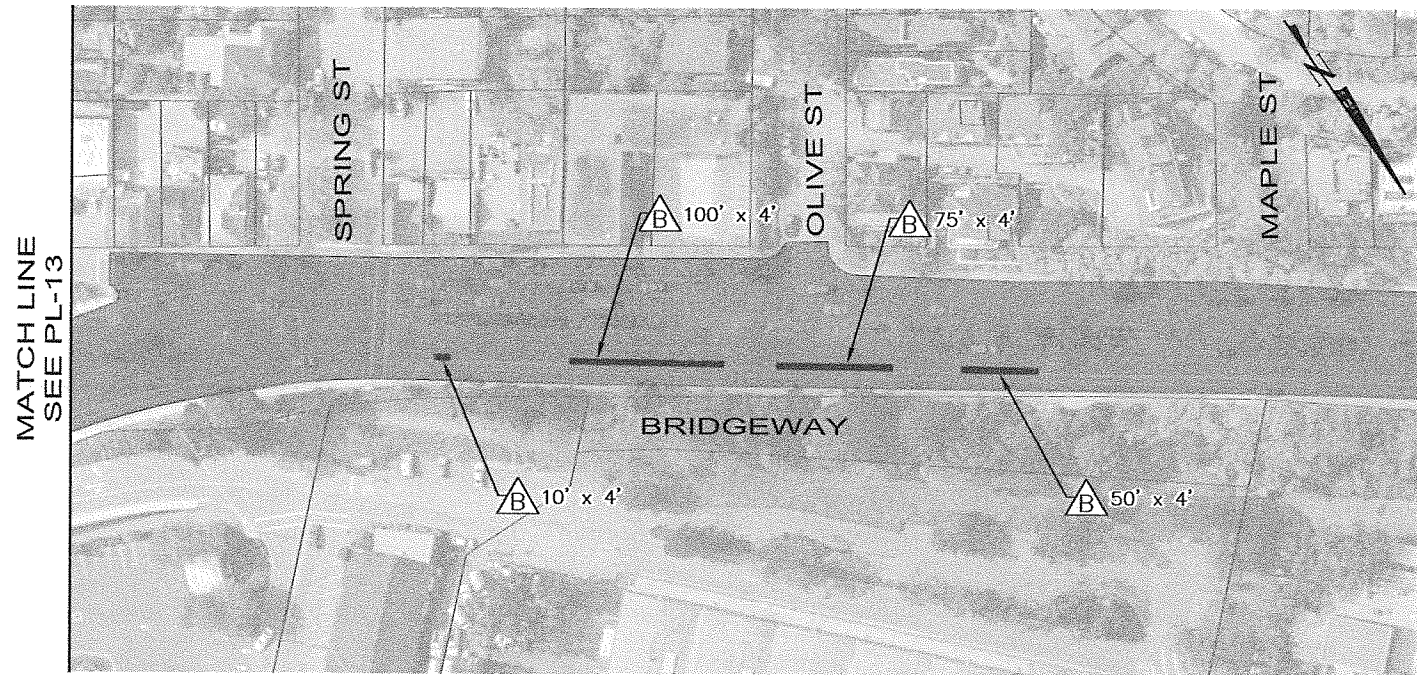


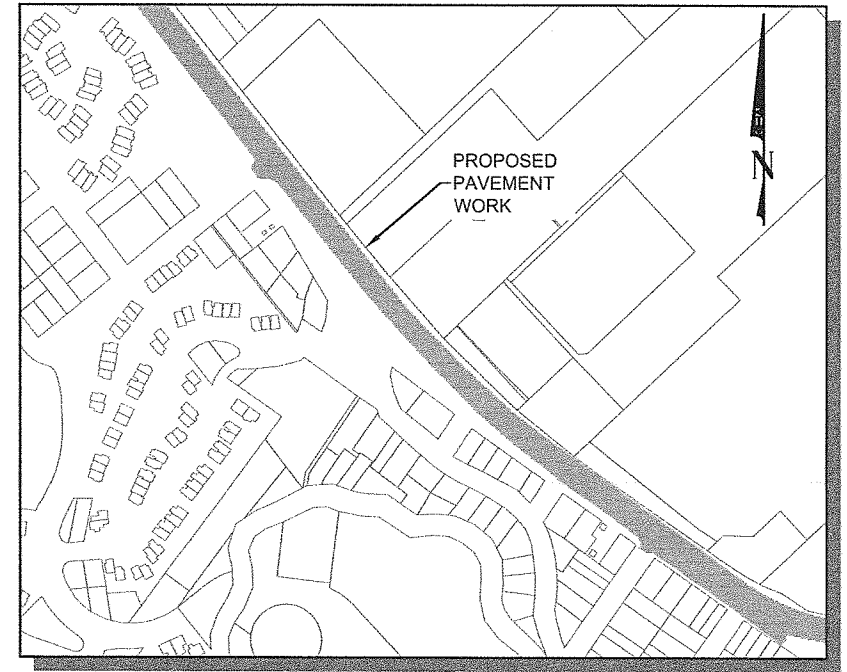
This document, together with the contracts and designs presented herein, is intended only for the specific purpose and client for which it was prepared. Reuse of any information on this document without written authorization and adaptation by Kimley-Horn and Associates, Inc. shall be without liability to Kimley-Horn and Associates, Inc.

**LEGEND:**

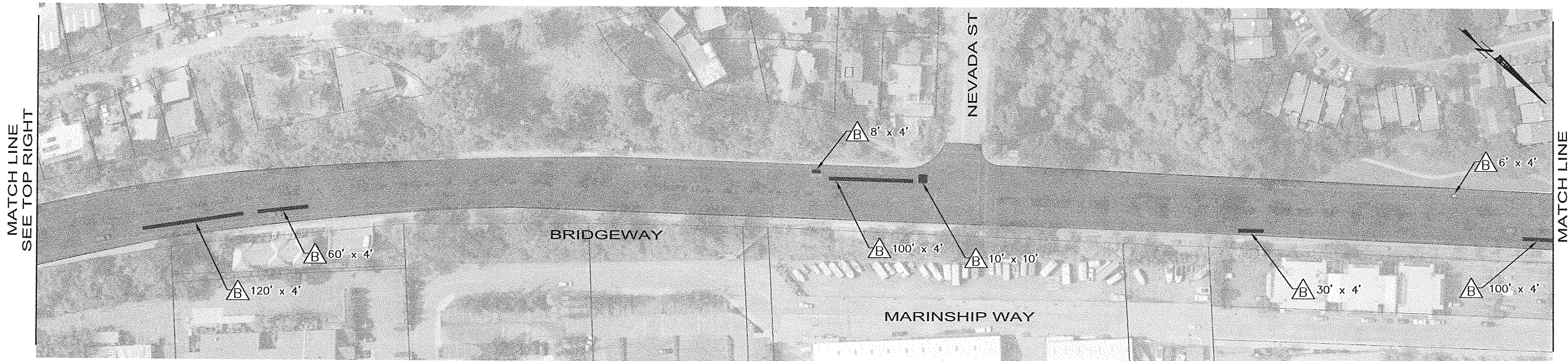
-  AREA OF TREATMENT
-  FAILURE REPAIR AREA
-  SAWCUT
-  BASE FAILURE REPAIR  
SEE CD-02 FOR DETAILS
-  PCC FAILURE REPAIR  
SEE CD-02 FOR DETAILS
-  PAVEMENT FAILURE REPAIR  
SEE CD-02 FOR DETAILS
-  DETAIL NUMBER
-  SHEET NUMBER
-  STANDARD DETAIL NUMBER  
CALTRANS STANDARD PLANS



**SECTION 18: BRIDGEWAY (PRINCESS ST TO NORTH BRIDGE BLVD)**  
TREATMENT: CRACK SEAL  
NTS



**LOCATION MAP**  
NTS



**SECTION 18: BRIDGEWAY (PRINCESS ST TO NORTH BRIDGE BLVD)**  
TREATMENT: CRACK SEAL  
NTS



No.	REVISIONS	DATE	BY

**Kimley-Horn and Associates, Inc.**  
© 2013 KIMLEY-HORN AND ASSOCIATES, INC.  
6130 STONERIDGE MALL RD, STE 370 PLEASANTON, CA 94588  
PHONE: 925-398-4840 FAX: 925-398-4849  
WWW.KIMLEY-HORN.COM



DESIGNED BY TH/JP	DRAWN BY TH/CG	CHECKED BY JP
PLANS PREPARED UNDER SUPERVISION OF: JOHN PULLIAM, P.E. REGISTERED CIVIL ENGINEER		
APRIL 2013 DATE	68897 RCE NO.	



**PROJECT LAYOUT PLANS**  
**BRIDGEWAY**  
CITY OF SAUSALITO 2013 STREET IMPROVEMENT PROJECT

DRAWING NO PL-14
SHEET 17 of 27
JOB No. 097901001

K:\RAY\_RDWY\097901001 - Sausalito Street Repair\Design\CAD\Plan Sheets\17 PL-14 - BRIDGEWAY.dwg, Layout:17 PL-14 - BRIDGEWAY Apr 19, 2013 - 8:08am Plotted by: daniel.corley