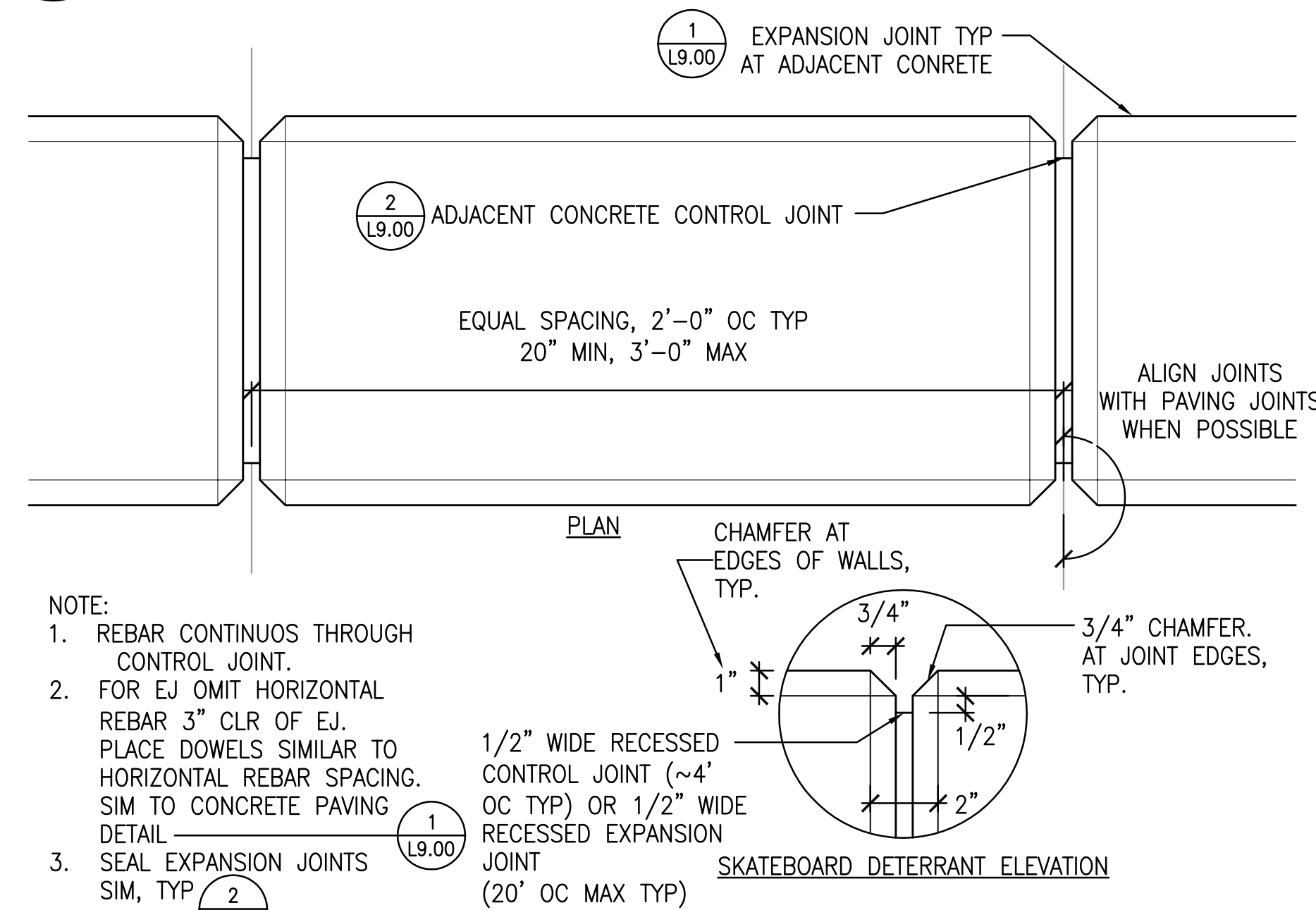
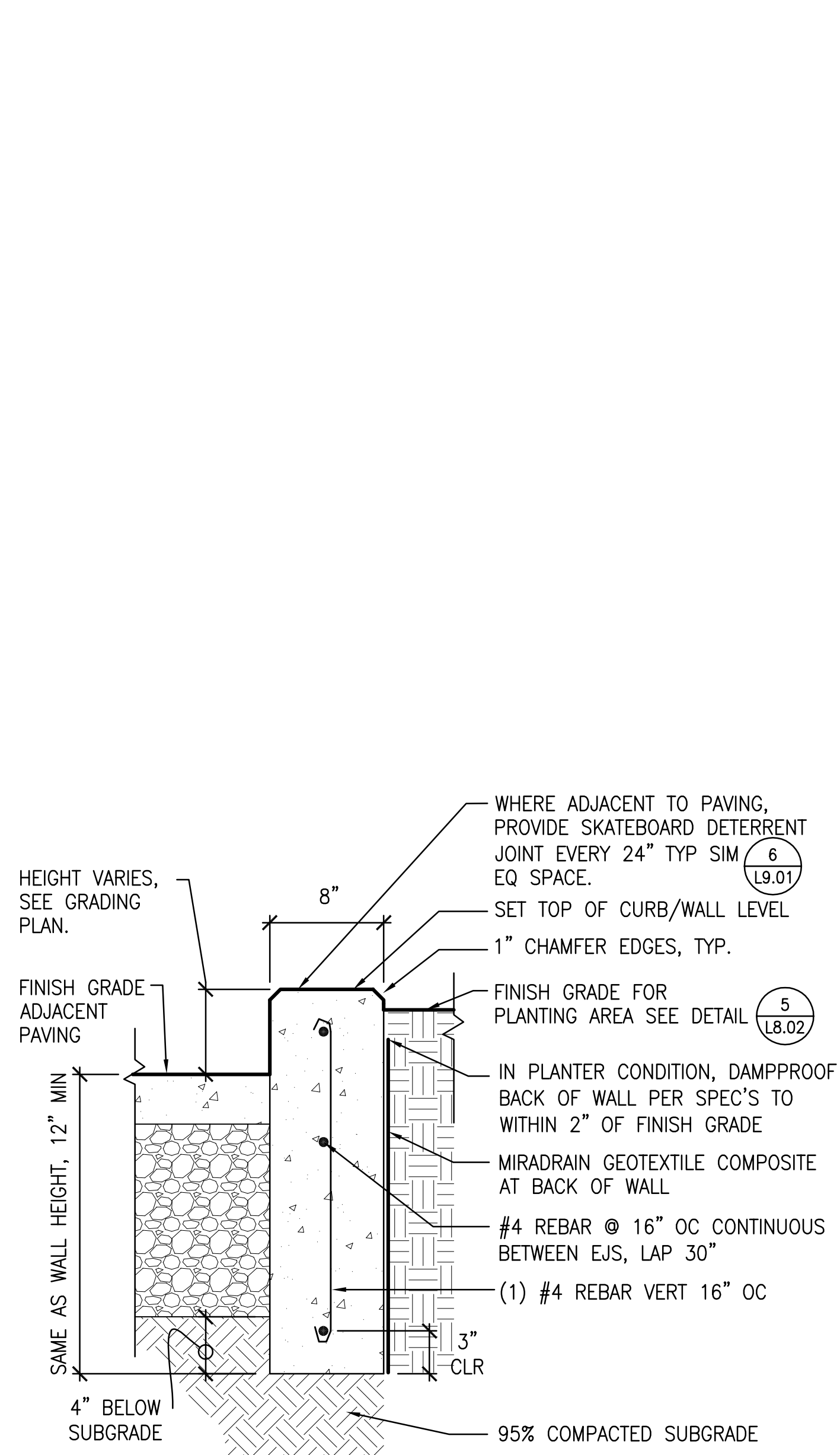


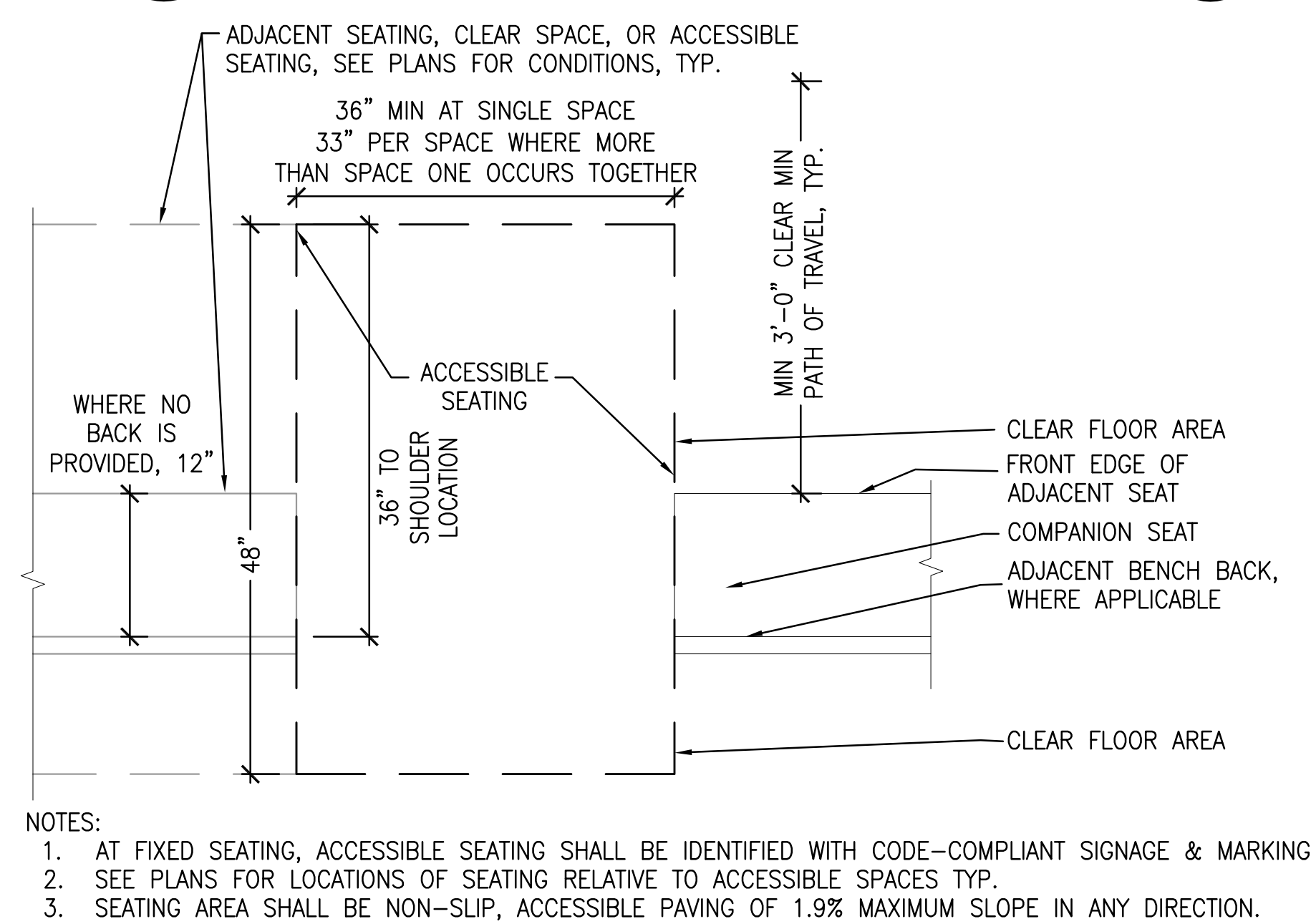
5 PRECAST CONCRETE POST
SCALE: 1" = 1'



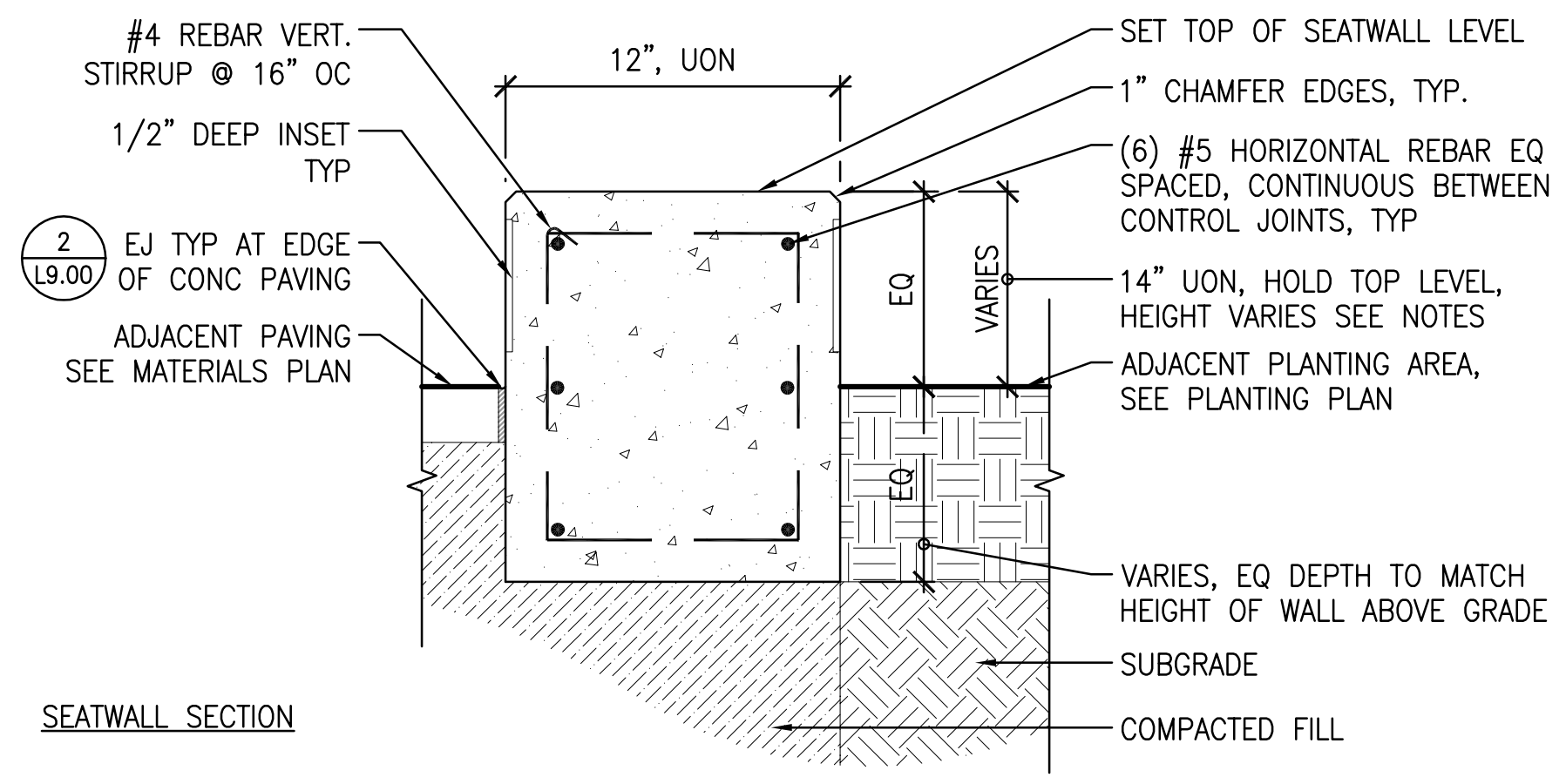
6 SKATEBOARD DETERRANT JOINT
SCALE: 3" = 1'



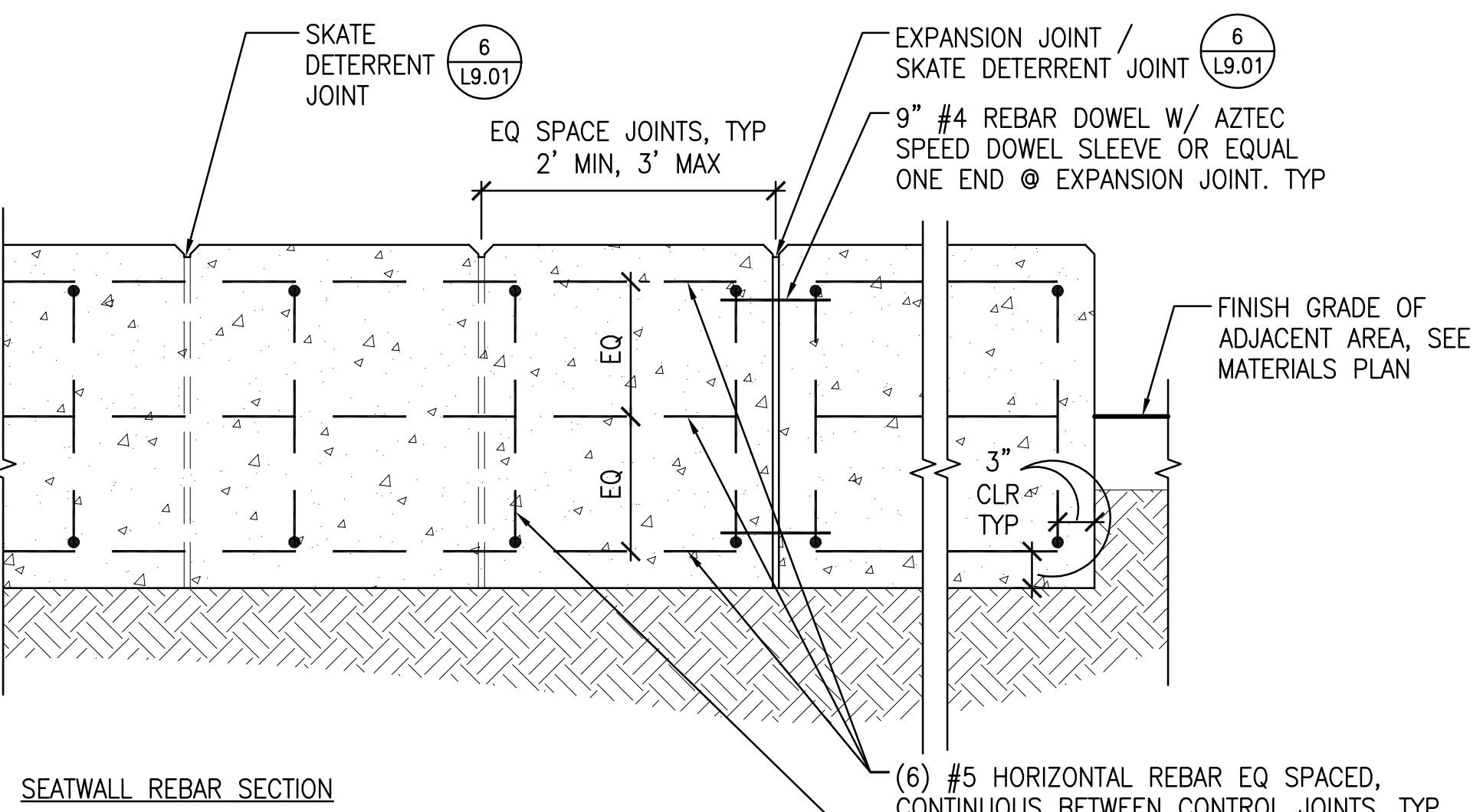
3 DEEPEN CONCRETE CURB
SCALE: 1 1/2" = 1'



4 ADA-FRONT-REAR ACCESSIBLE SEATING
SCALE: 1" = 1'



1 CONCRETE SEATWALL
SCALE: 1" = 1'



2 TRUNCATED DOMES
SCALE: 1" = 1'



consultant

CITY OF SAUSALITO

owner

ROBIN SWEENEY PARK

APN 064-165-012

420 LITHO STREET
SAUSALITO, CA, 94965

project

no.	description
1	PLANNING SUBMITTAL 02.01.2013
2	PLANNING SUBMITTAL 10.15.2013
3	PLANNING SUBMITTAL 07.29.2015
4	PERMIT SUBMITTAL 10.02.2015

key map

date 10.02.2015

scale AS SHOWN

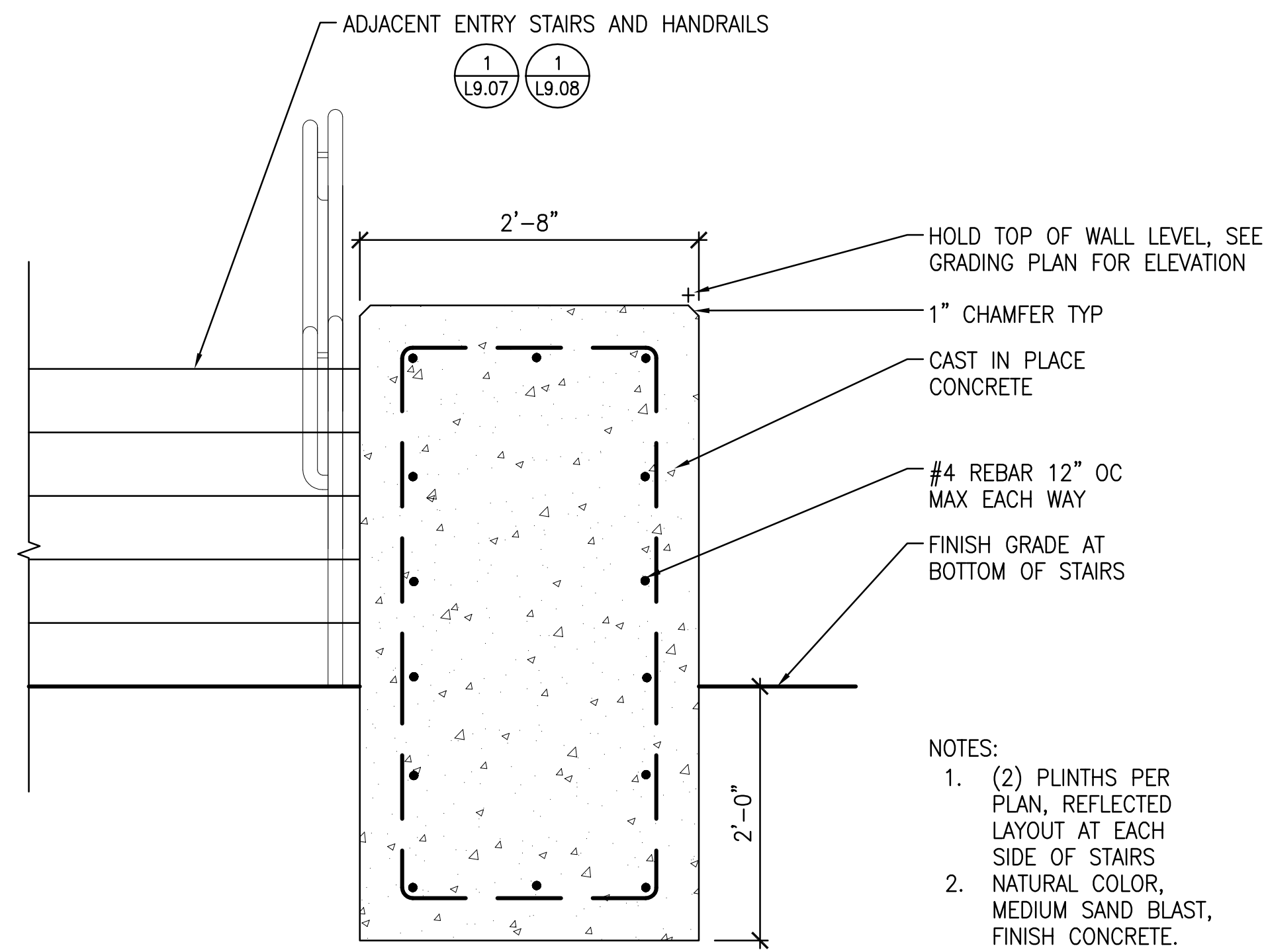
project no. COS10-01

CONSTRUCTION DETAILS

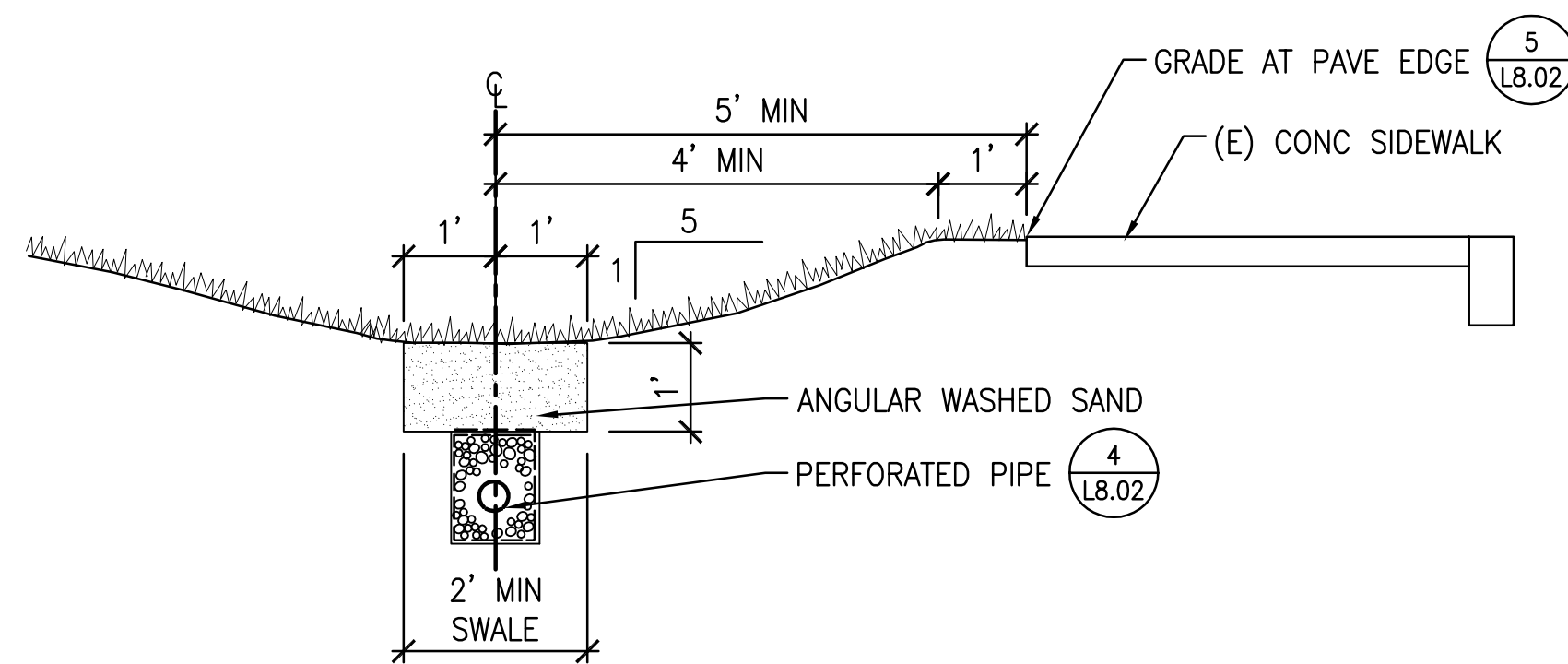
sheet title

L9.01

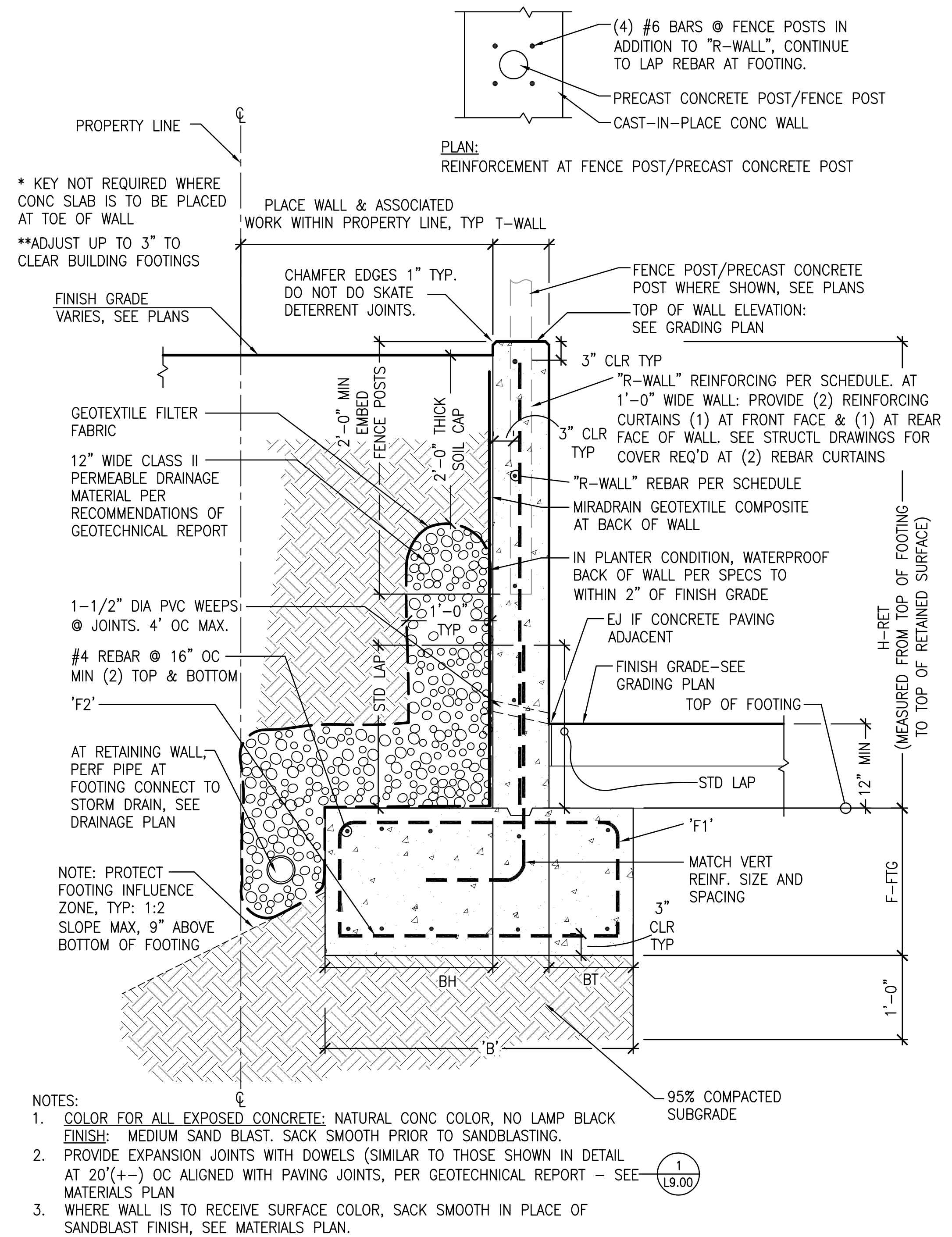
sheet no.



2 CONCRETE ENTRY PLINTH
SCALE: 1" = 1'



3 SWALE AT BASE OF LAWN
SCALE: 1/2" = 1'



CONCRETE WALL SCHEDULE

WALL DIMENSIONS		FOOTING				REINFORCING	
H-RET	T-WALL	F-FTG	BH	BT	B	F1 & F2	R-WALL

1'-0" THICK WALL WITH HEEL FOOTING ONLY

TO 2'-0"	1'-0"	1'-6"	1'-0"	0	2'-6"	#4 @ 18" OC EACH WAY	#4 @ 18" OC EACH WAY
4'-0" MAX	1'-0"	1'-6"	2'-0"	0	3'-6"	#4 @ 18" OC EACH WAY	#4 @ 18" OC EACH WAY
6'-0" MAX	1'-0"	1'-6"	2'-6"	0	4'-0"	#4 @ 18" OC EACH WAY	#4 @ 18" OC EACH WAY

1'-0" THICK WALL WITH TOE FOOTING ONLY

TO 2'-0"	1'-0"	1'-6"	0	1'-0"	1'-8"	#4 @ 18" OC EACH WAY	#4 @ 18" OC EACH WAY
4'-0" MAX	1'-0"	1'-6"	0	1'-6"	2'-6"	#4 @ 18" OC EACH WAY	#4 @ 18" OC EACH WAY
6'-0" MAX	1'-0"	1'-6"	0	2'-0"	3'-6"	#4 @ 18" OC EACH WAY	#4 @ 18" OC EACH WAY

1 CONCRETE RETAINING WALL
SCALE: 1" = 1'



consultant

CITY OF SAUSALITO

owner

ROBIN SWEENEY PARK

APN 064-165-012

420 LITHO STREET
SAUSALITO, CA, 94965

project

1	PLANNING SUBMITTAL	02.01.2013
2	PLANNING SUBMITTAL	10.15.2013
3	PLANNING SUBMITTAL	07.29.2015
4	PERMIT SUBMITTAL	10.02.2015

no. description

key map

date 10.02.2015

scale AS SHOWN

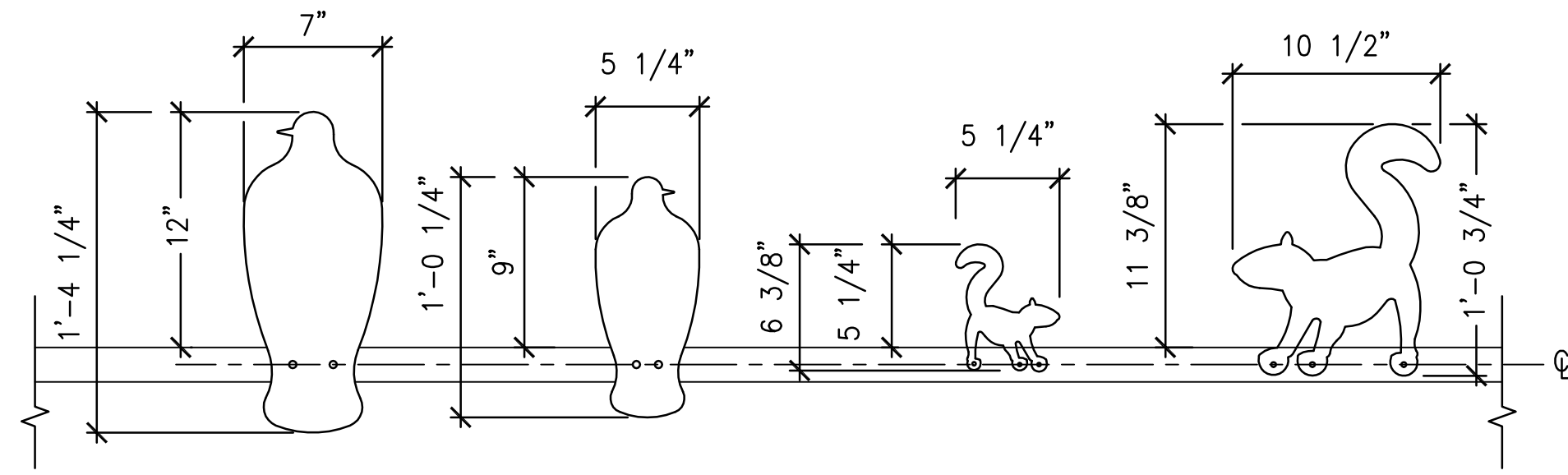
project no. COS10-01

CONSTRUCTION DETAILS

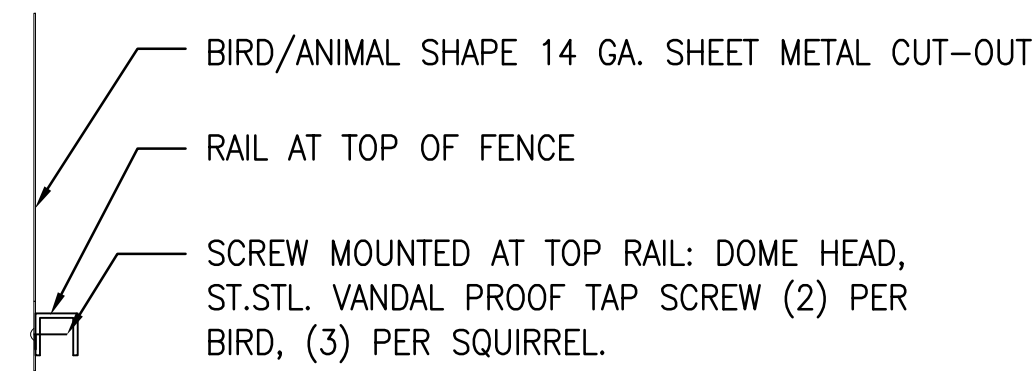
sheet title

L9.02

sheet no.



BIRD
(POSE VARIES)



TYP SECTION

- NOTES:
1. QUANTITIES: BASED ON LINEAR FOOTAGE OF FENCE, ACCOMMODATE 1 PER LF, 2/3 BIRDS, 1/3 SQUIRRELS.
 2. SIZES: HALF OF BIRDS LARGE, HALF OF BIRDS SMALL, 1/3 SQUIRRELS BIG, 2/3 SQUIRRELS SMALL.
 3. GRIND ALL EDGES SMOOTH.

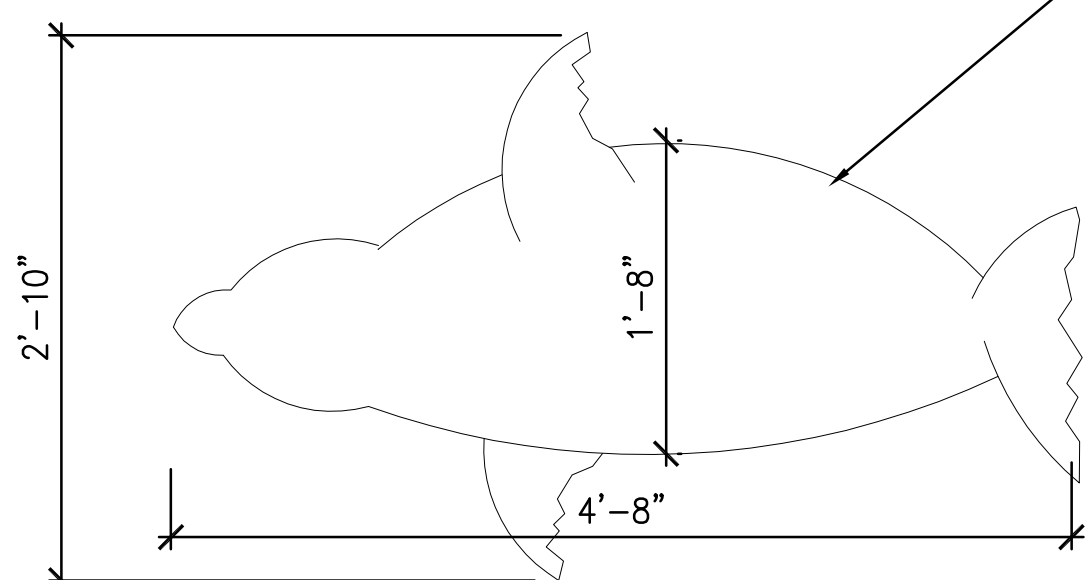
2 ANIMAL ART SHAPES
SCALE: 1 1/2" = 1'



DESIGN INTENT

100% TILE COVERING EXPOSED SURFACES
ROUND TILES ONLY, MUTED GREY, TAN, AND
BROWN EARTH RANGE TONES, SIMILAR TO
HARBOR SEAL COLORATION

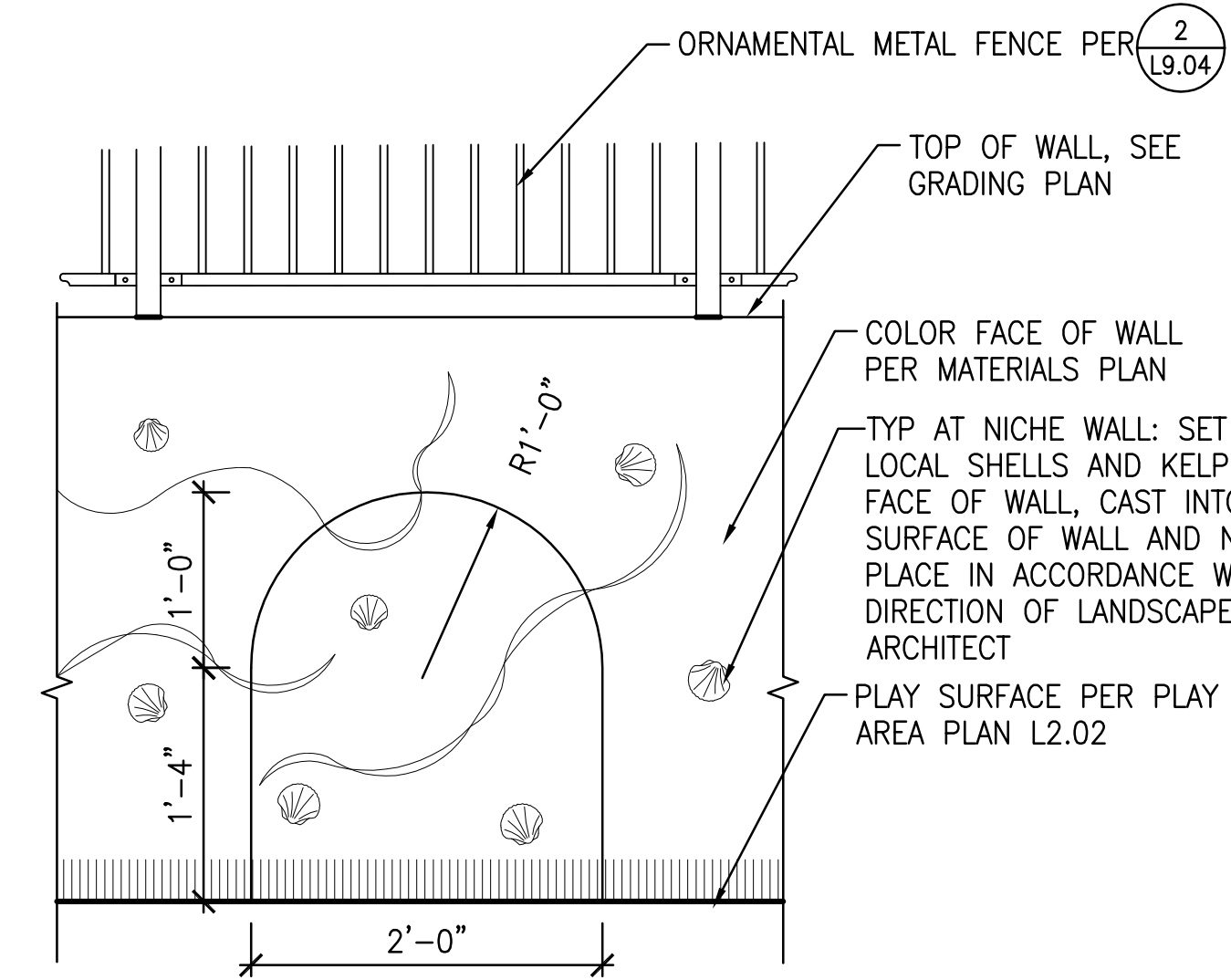
NOTE: NO POINT ON SCULPTURE SHALL
PROVIDE A 2" OR LARGER LEVEL SURFACE



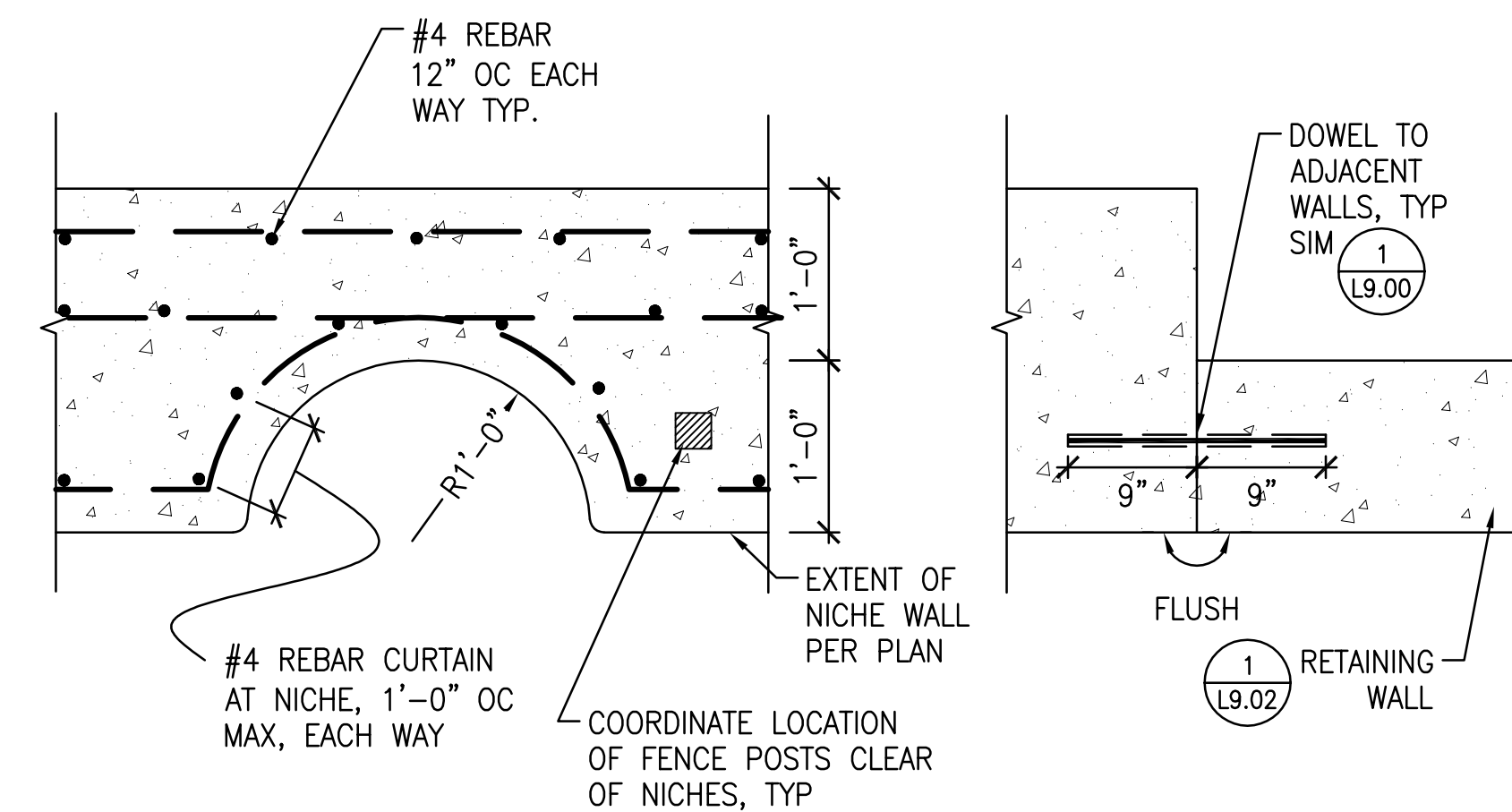
PLAN

"SEAL" SCULPTURE
PRECAST CONCRETE WITH INSET, SMOOTH ART
TILES, INTEGRAL COLOR CONCRETE & GROUT.
AS FURNISHED BY:
UNIVERSAL PRECAST, 800.514.8888
ANCHOR TO PLAZA PAVING.

3 SEAL ART SCULPTURE
SCALE: 1" = 1'

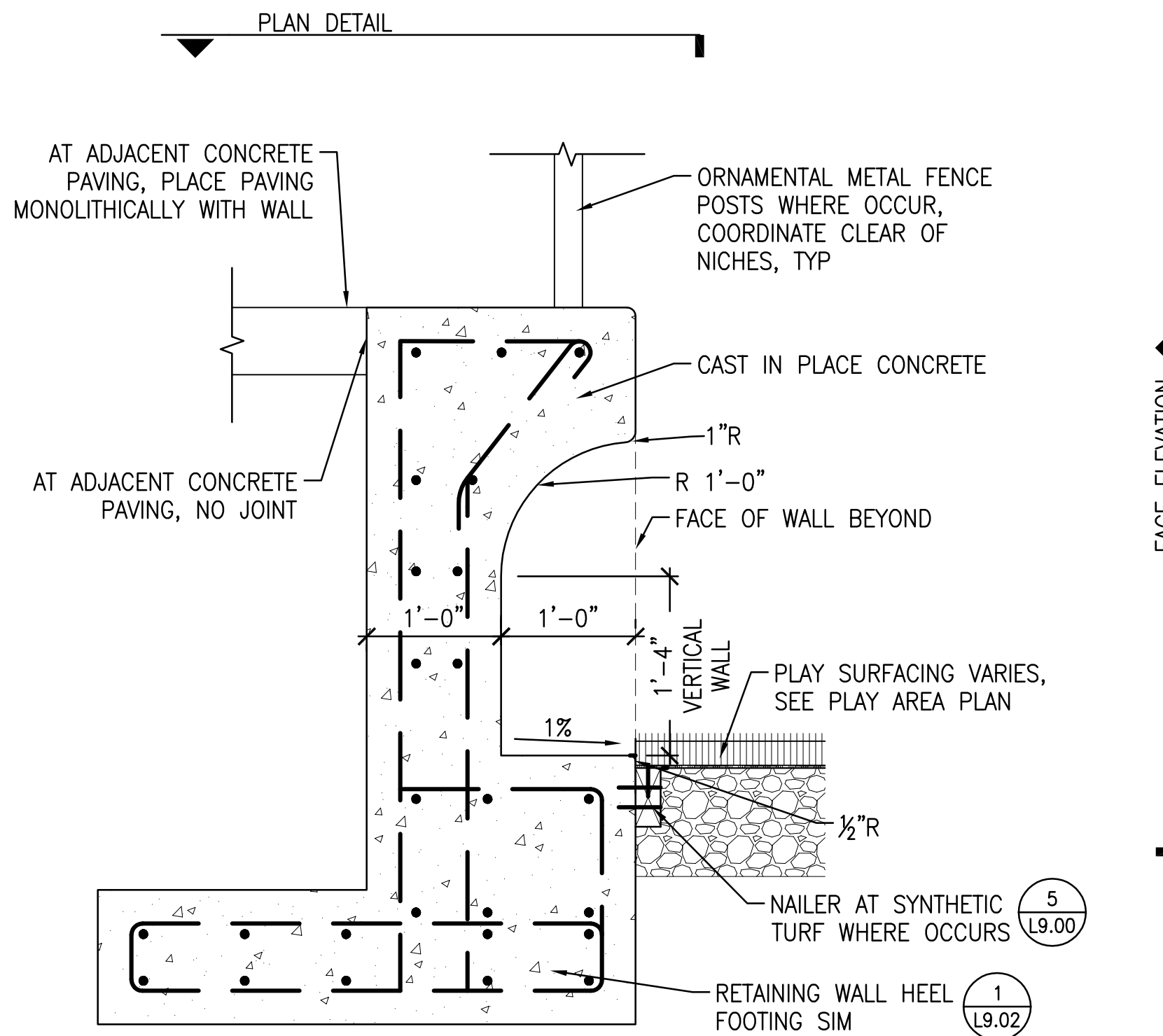


FACE ELEVATION: PLAY WALL CAVE NICHE



PLAN: PLAY WALL CAVE NICHE

- NOTES:
1. SUBMIT SHOP DRAWINGS FOR REVIEW AND ACCEPTANCE
 2. FINISH OF NICHE SHALL BE SACKED SMOOTH, TYP
 3. COLOR OF NICHE SHALL BE LITHOCHROME CHEMSTAIN, PER MATERIALS PLAN.



SECTION: PLAY WALL CAVE NICHE



seal

consultant

CITY OF
SAUSALITO

owner

ROBIN SWEENEY
PARK

APN 064-165-012

420 LITHO STREET
SAUSALITO, CA, 94965

project

1. PLANNING SUBMITTAL 02.01.2013
2. PLANNING SUBMITTAL 10.15.2013
3. PLANNING SUBMITTAL 07.29.2015
4. PERMIT SUBMITTAL 10.02.2015

no. description

key map

date 10.02.2015

scale AS SHOWN

project no. COS10-01

CONSTRUCTION
DETAILS

sheet title

L9.03

sheet no.