

NOTE: SEE SHEETS L6.00 & L6.01 FOR LEGEND AND NOTES

CITY HALL / LIBRARY

CARDUCCI & ASSOCIATES, INC.
 LANDSCAPE ARCHITECTURE PLANNING
 IRRIGATION DESIGN URBAN DESIGN
 555 BEACH STREET, 4TH FLOOR
 SAN FRANCISCO, CALIFORNIA 94133
 PHONE (415) 674-0990 FAX (415) 674-0999
 © 2015 CARDUCCI & ASSOCIATES, INC.



consultant

CITY OF SAUSALITO

owner

ROBIN SWEENEY PARK

APN 064-165-012

420 LITHO STREET
SAUSALITO, CA, 94965

project

- 1. PLANNING SUBMITTAL 02.01.2013
- 2. PLANNING SUBMITTAL 10.15.2013
- 3. PLANNING SUBMITTAL 07.29.2015
- 4. PERMIT SUBMITTAL 10.02.2015

no. description

key map

date 10.02.2015

scale AS SHOWN

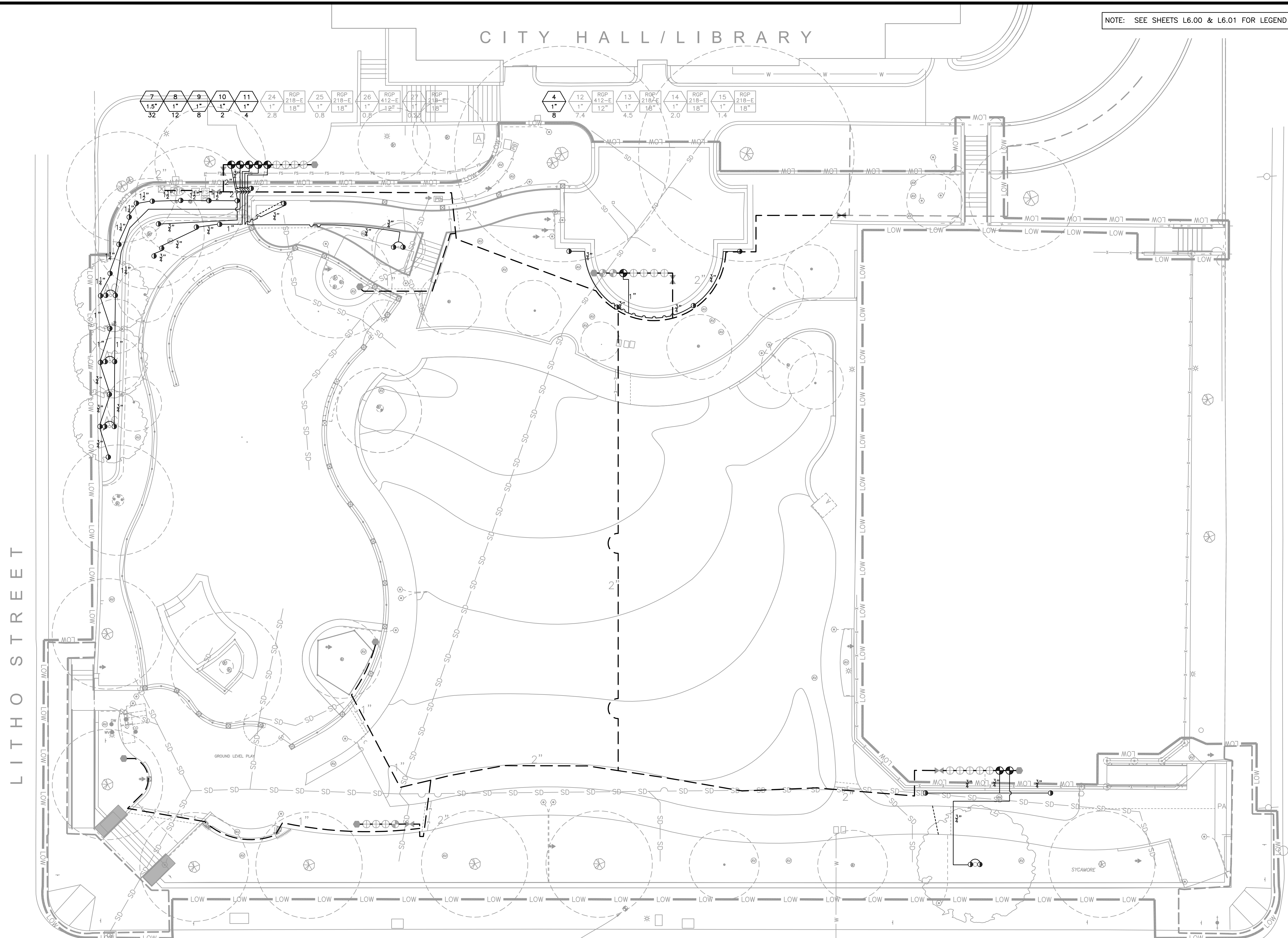
project no. COS10-01

IRRIGATION BUBBLER PLAN

sheet title

L6.03

sheet no.



23	RGP	22	RGP	21	RGP
1"	218"-E	1"	412"-E	1"	412"-E
0.83	18"	15.8	12"	3.75	12"

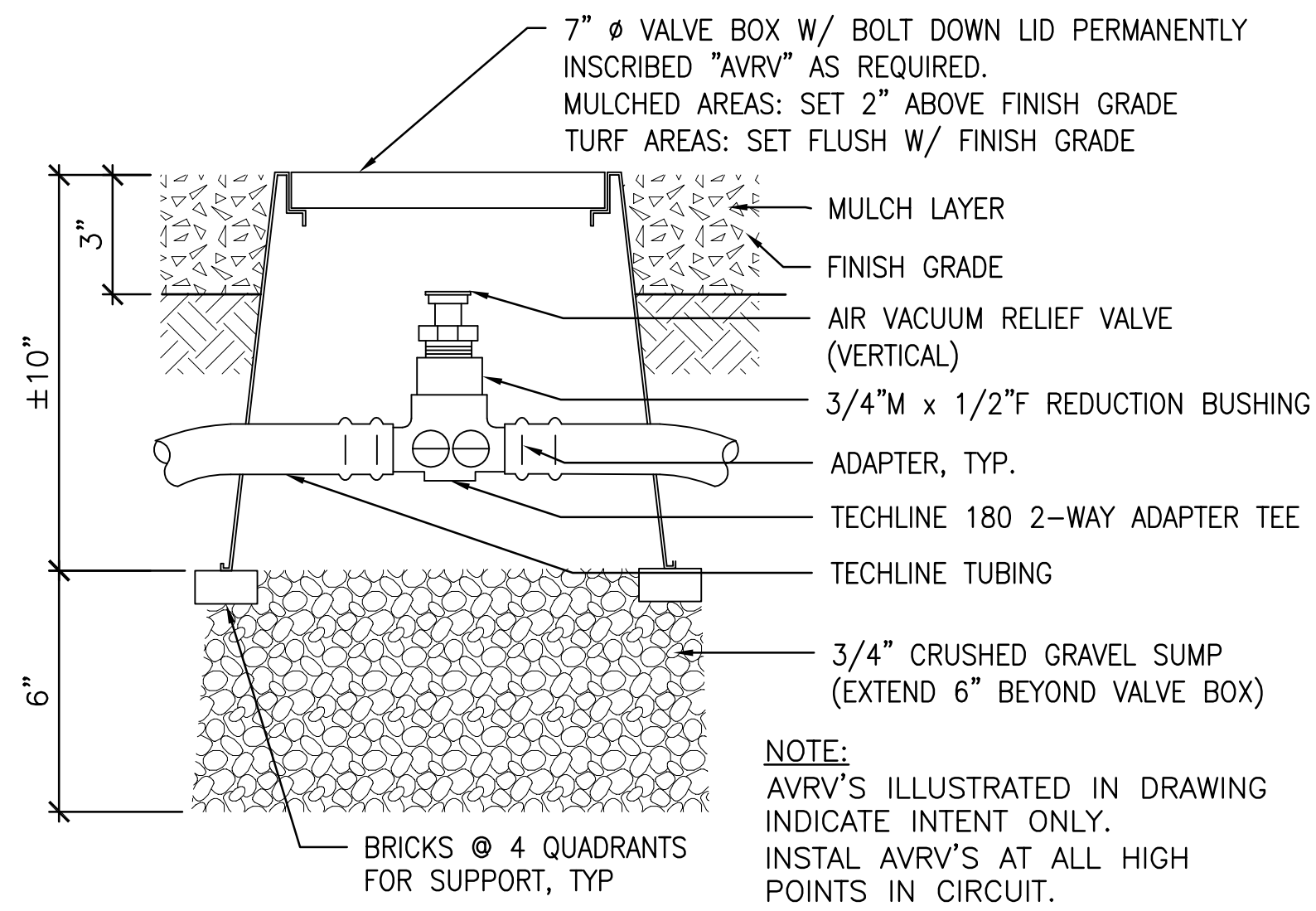
20	RGP	19	RGP	18	RGP	17	RGP	16	RGP	5	6
1"	412"-E	1"	218"-E	1"	412"-E	1"	412"-E	1"	218"-E	1"	1"
13.7	12"	1.3	18"	15.3	12"	7.1	12"	0.4	18"	4	4

PROJECT BENCHMARK:
SET CUT CROSS
ELEVATION = 100.00

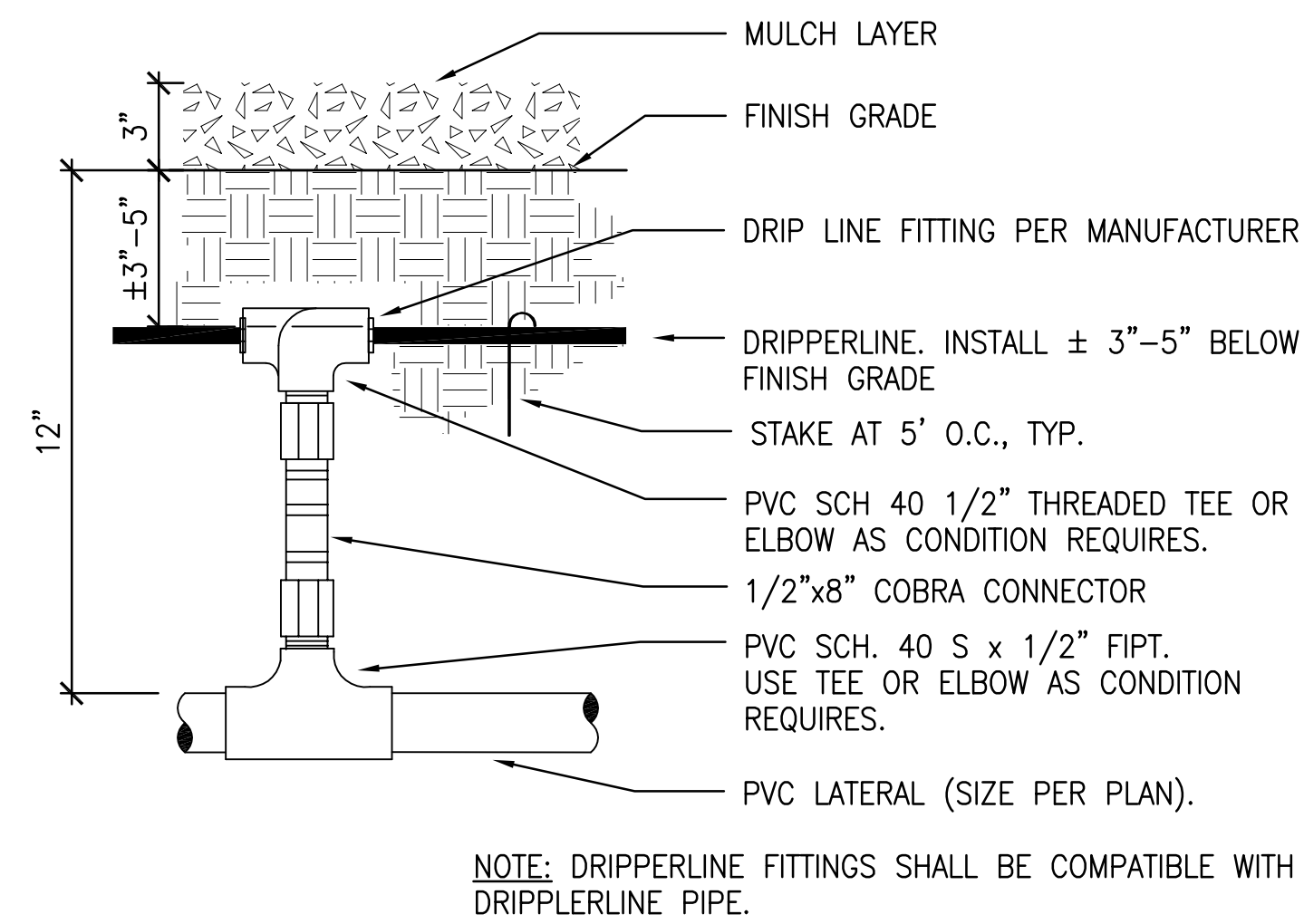
CALCULATIONS BASED ON JULY 2015 EMERGENCY WATER EFFICIENCY REGULATIONS PROPOSED CHANGES TO WATER USE REGULATIONS. REFER TO HYDROZONE TABLE FOUND ON L6.01

MMWD TITLE 13 IRRIGATION EFFICIENCY ORDINANCE COMPLIANCE: I HAVE COMPLIED WITH THE CRITERIA OF THE MMWD ORDINANCE 421 AND APPLIED THEM ACCORDINGLY FOR THE EFFICIENT USE OF WATER IN THE IRRIGATION DESIGN PLAN.

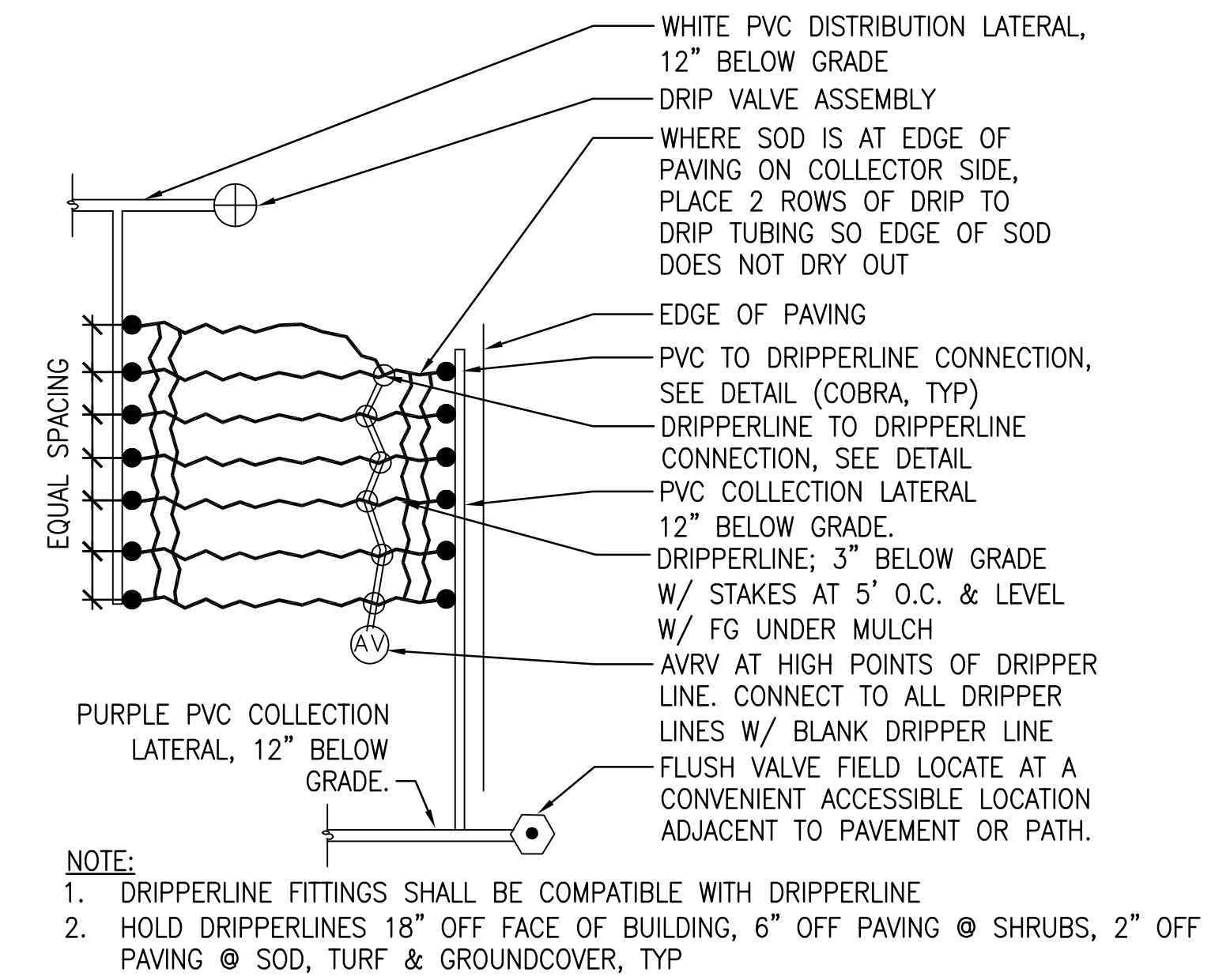




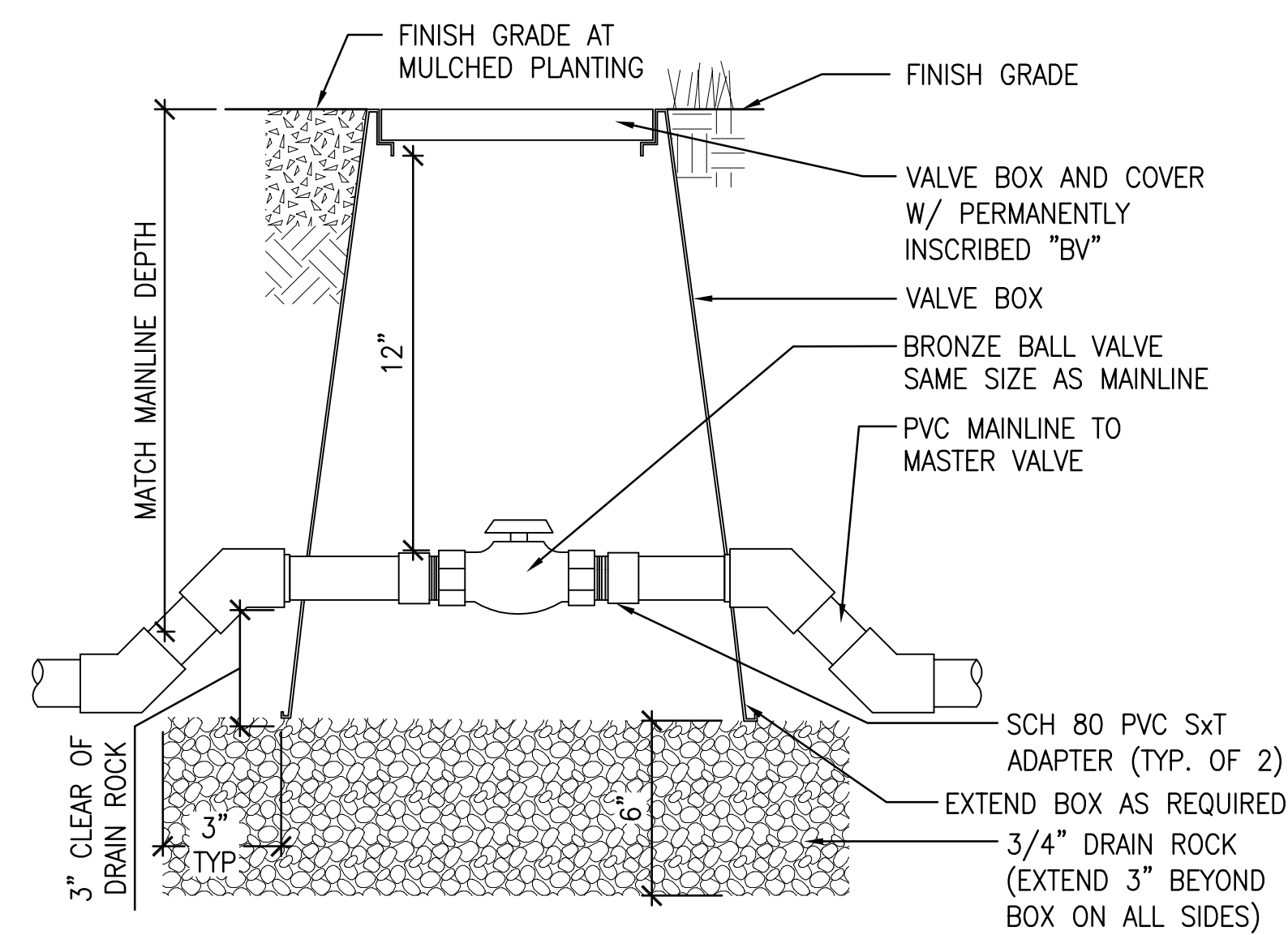
7 AIR VACUUM RELIEF VALVE
SCALE: 3" = 1"



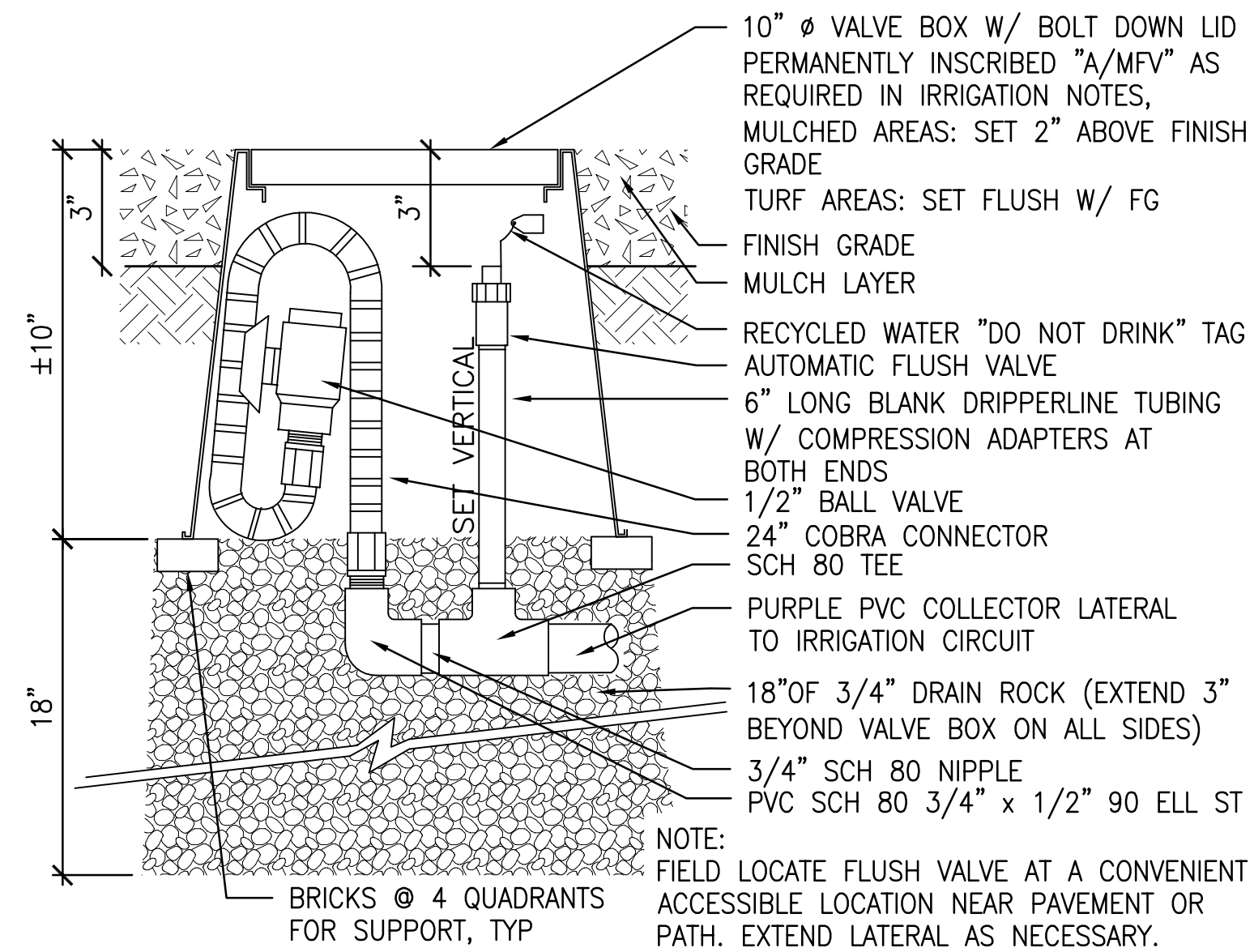
4 PVC TO DRIP CONNECTION
SCALE: 3" = 1"



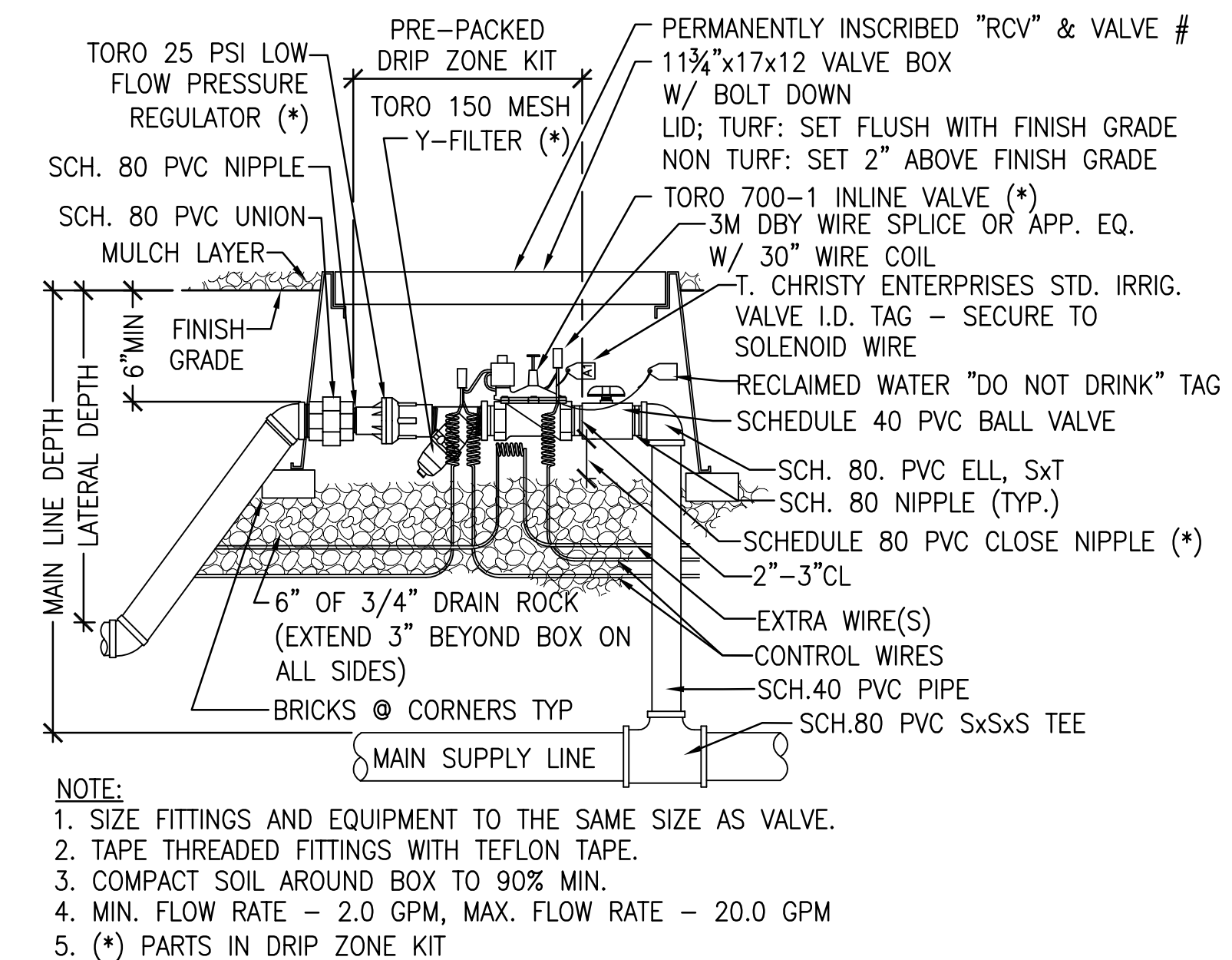
1 DRIP LAYOUT
SCALE: 3/4" = 1"



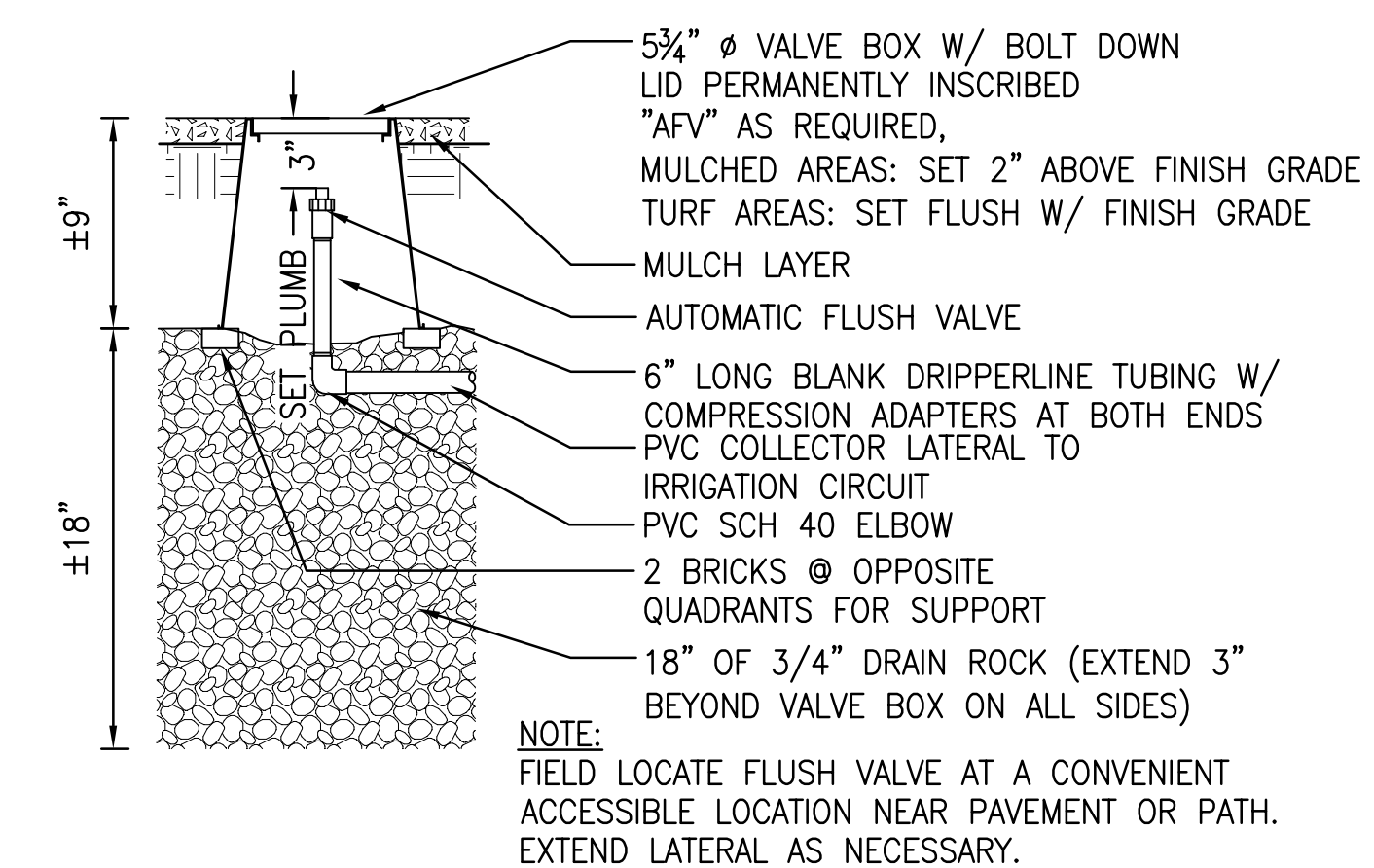
8 ISOLATION VALVE 2 INCH & SMALLER
SCALE: 3" = 1"



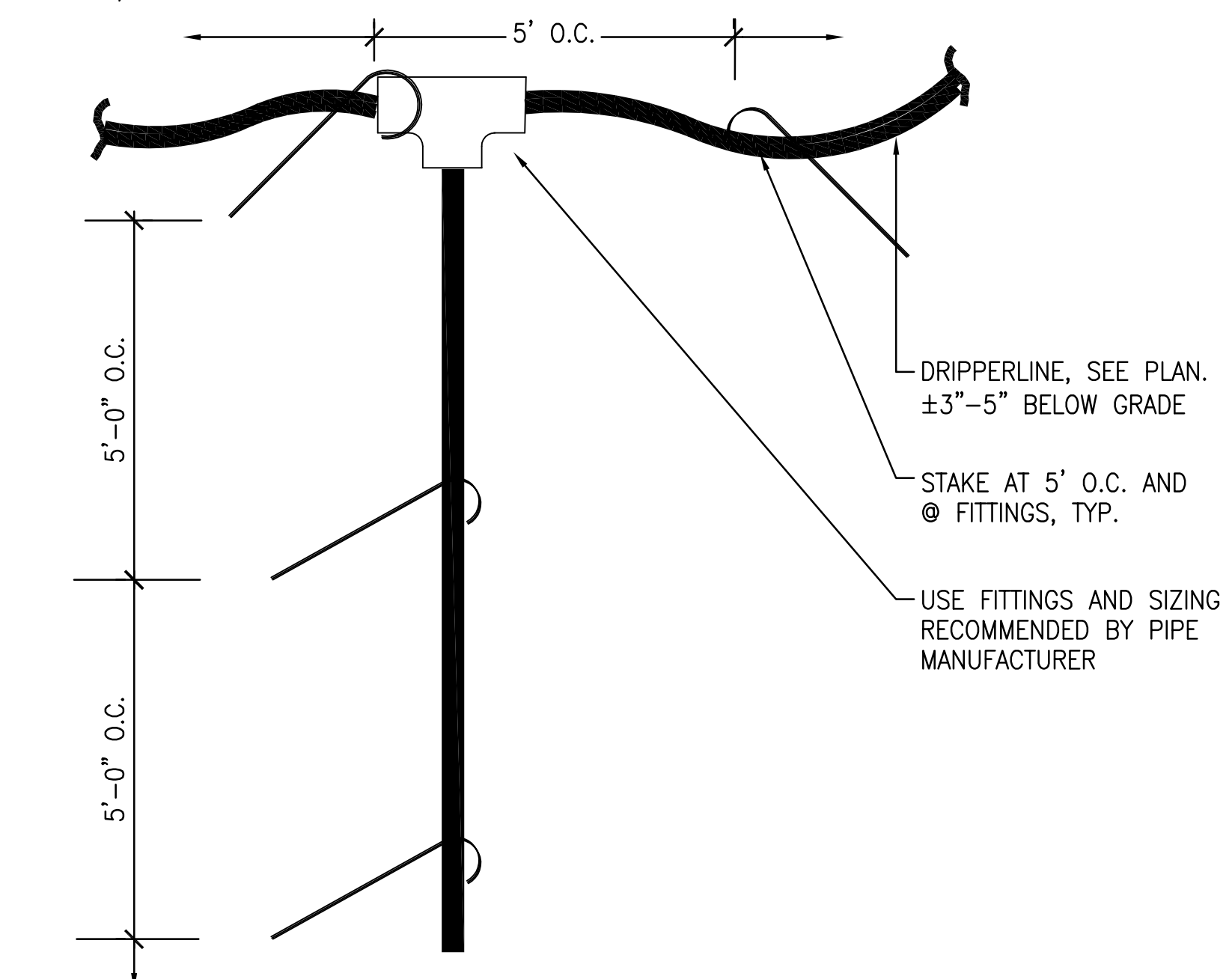
5 AUTO MANUAL FLUSH VALVE
SCALE: 3" = 1"



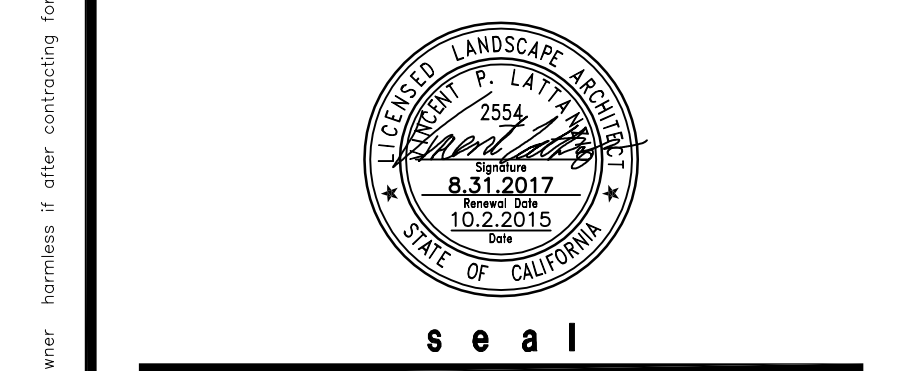
2 DRIP ZONE KIT
SCALE: 1 1/2" = 1"



6 AUTO FLUSH VALVE
SCALE: 1 1/2" = 1"



3 DRIP TO DRIP CONNECTION
SCALE: 1/2" = 1"



consultant

CITY OF SAUSALITO

owner

ROBIN SWEENEY PARK
APN 064-165-012
420 LITHO STREET
SAUSALITO, CA, 94965

project

1. PLANNING SUBMITTAL 02.01.2013
2. PLANNING SUBMITTAL 10.15.2013
3. PLANNING SUBMITTAL 07.29.2015
4. PERMIT SUBMITTAL 10.02.2015

no. description

key map

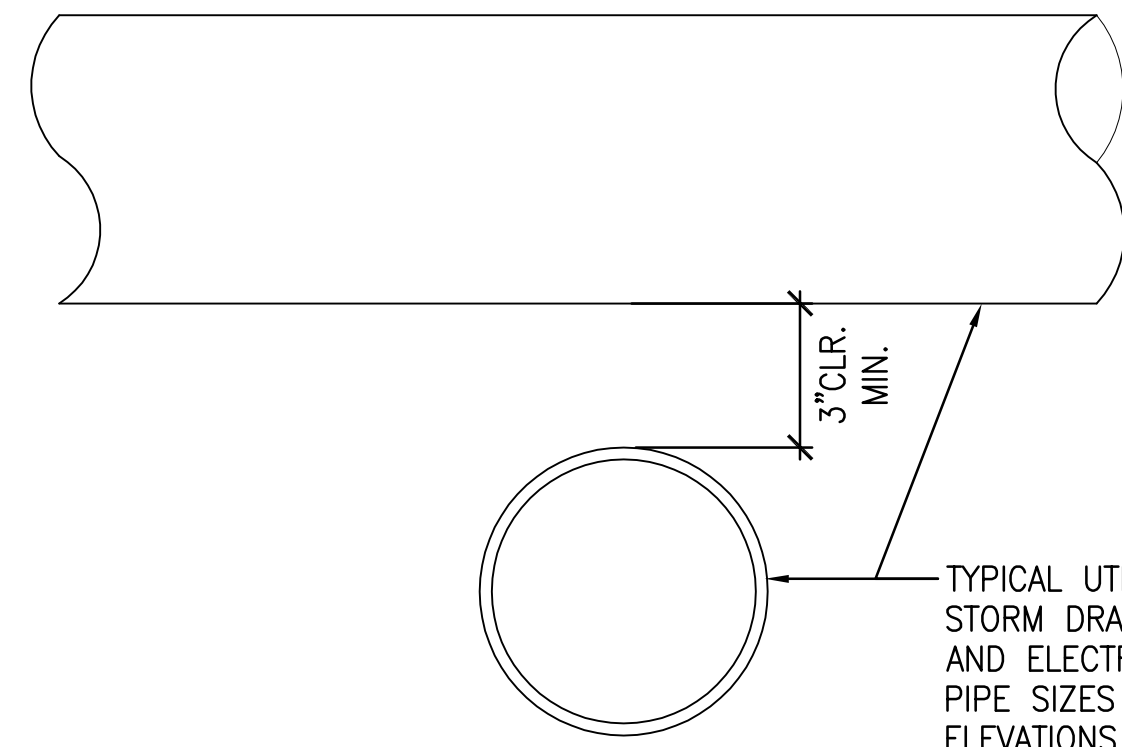
date 10.02.2015

scale AS SHOWN

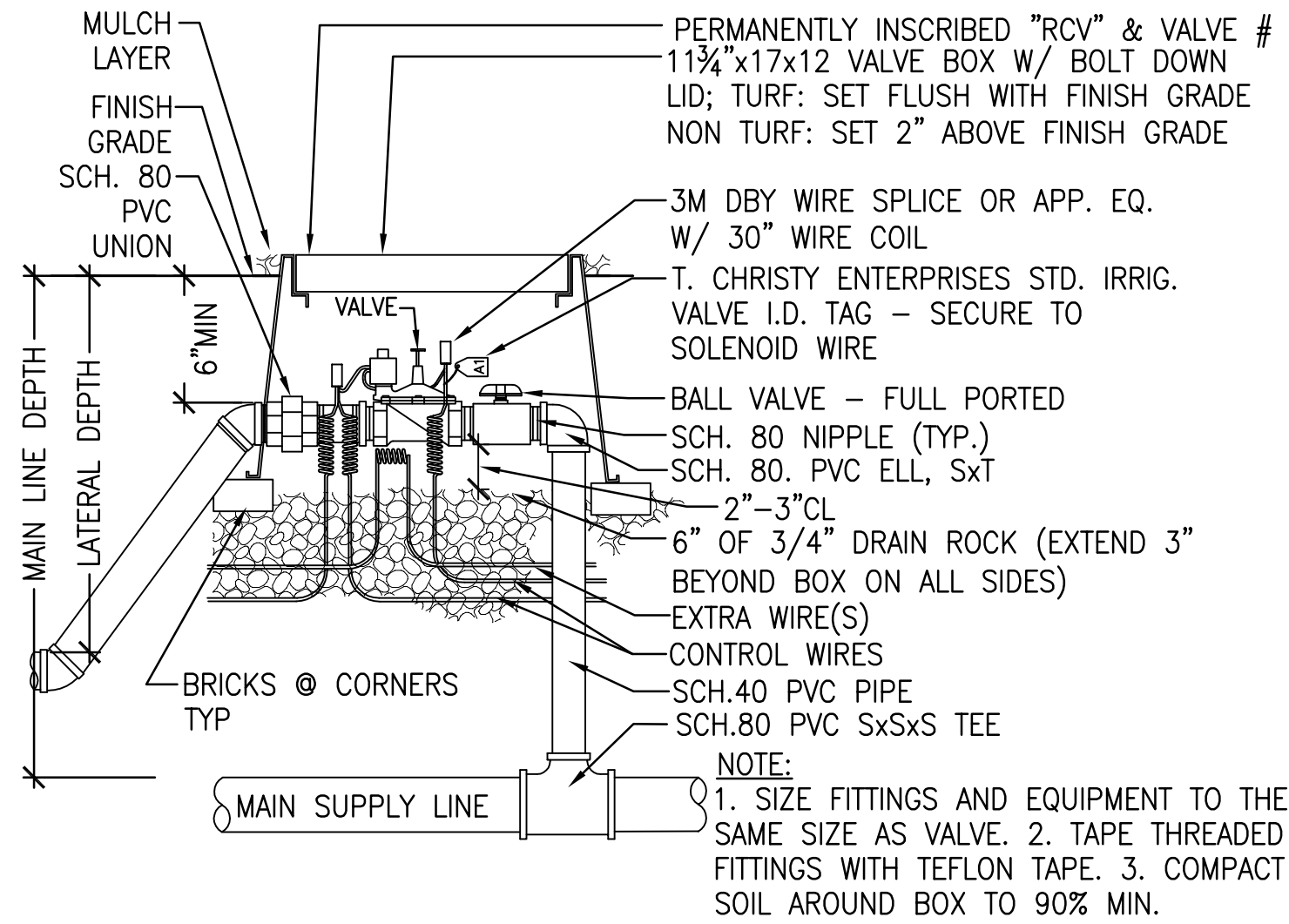
project no. COS10-01

IRRIGATION DETAILS
sheet title

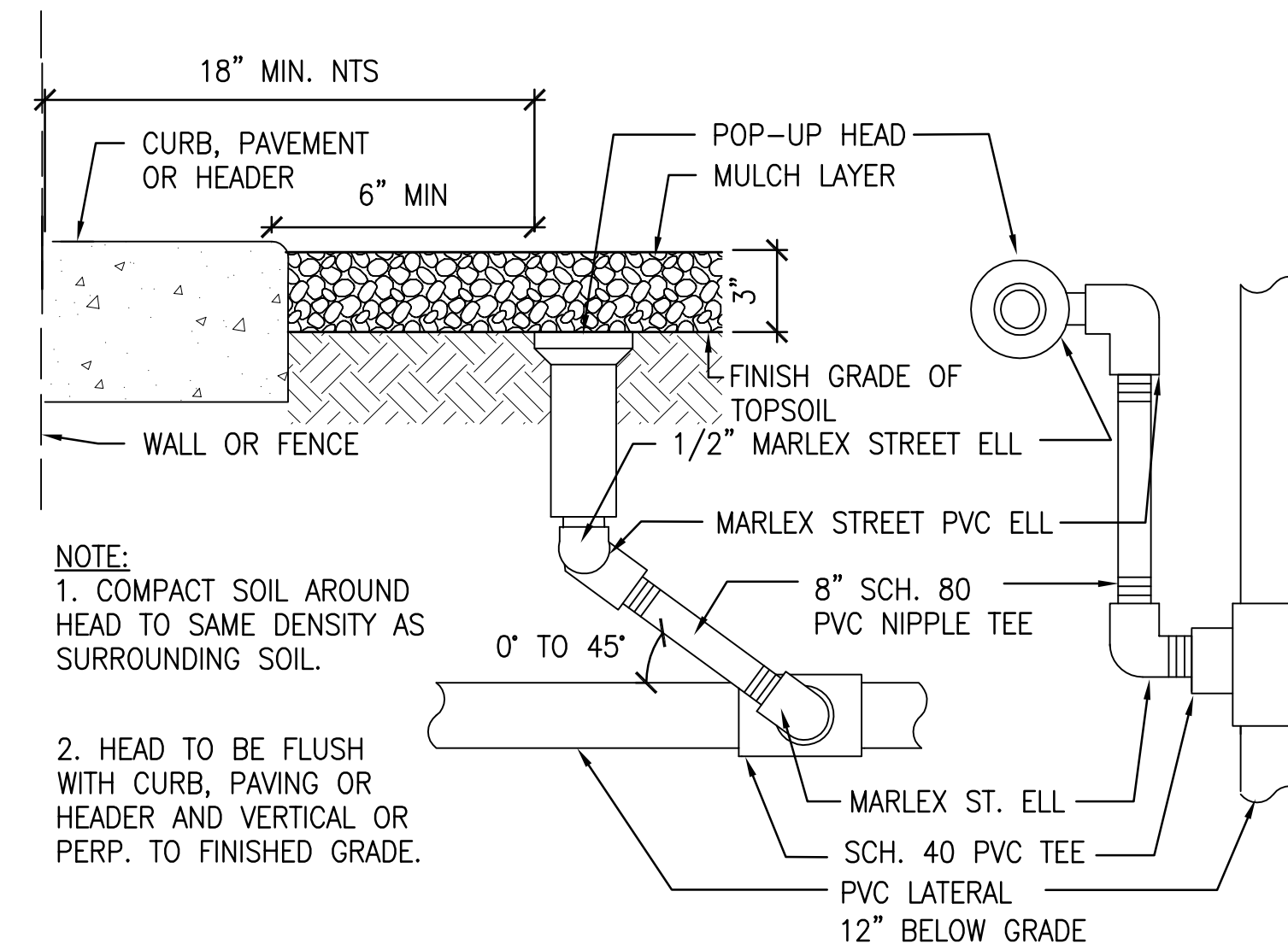
L6.04
sheet no.



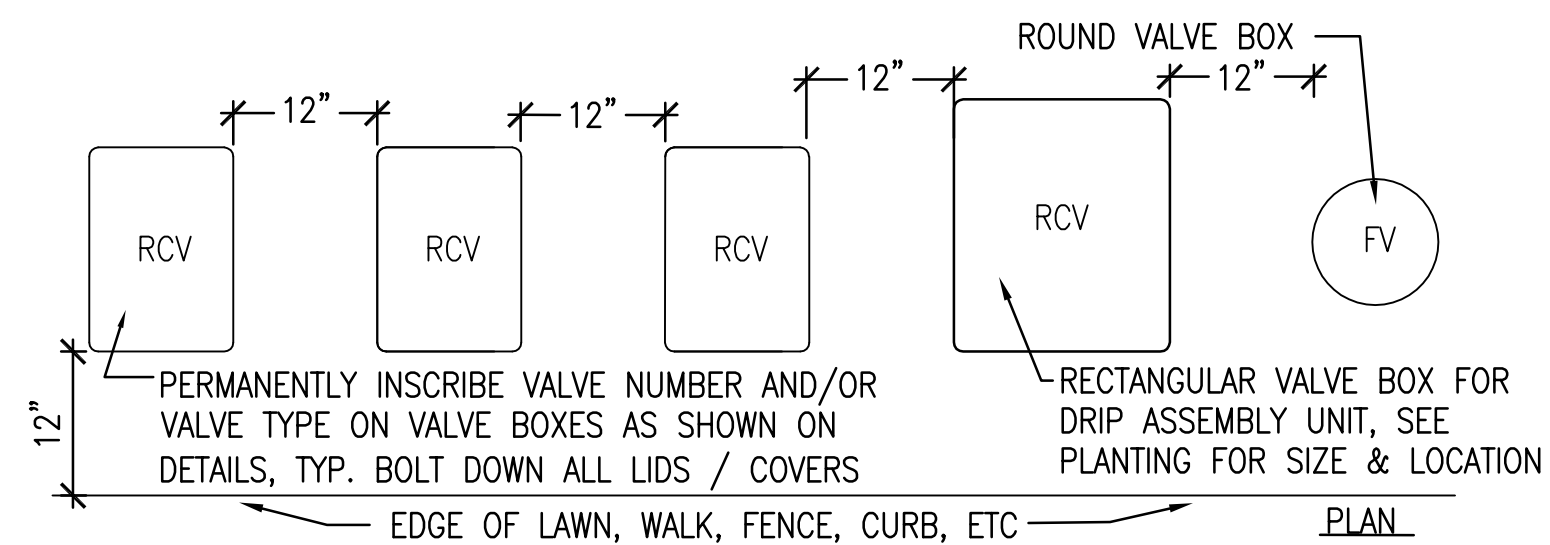
7 TYPICAL UTILITY CROSSING
SCALE: 3" = 1'



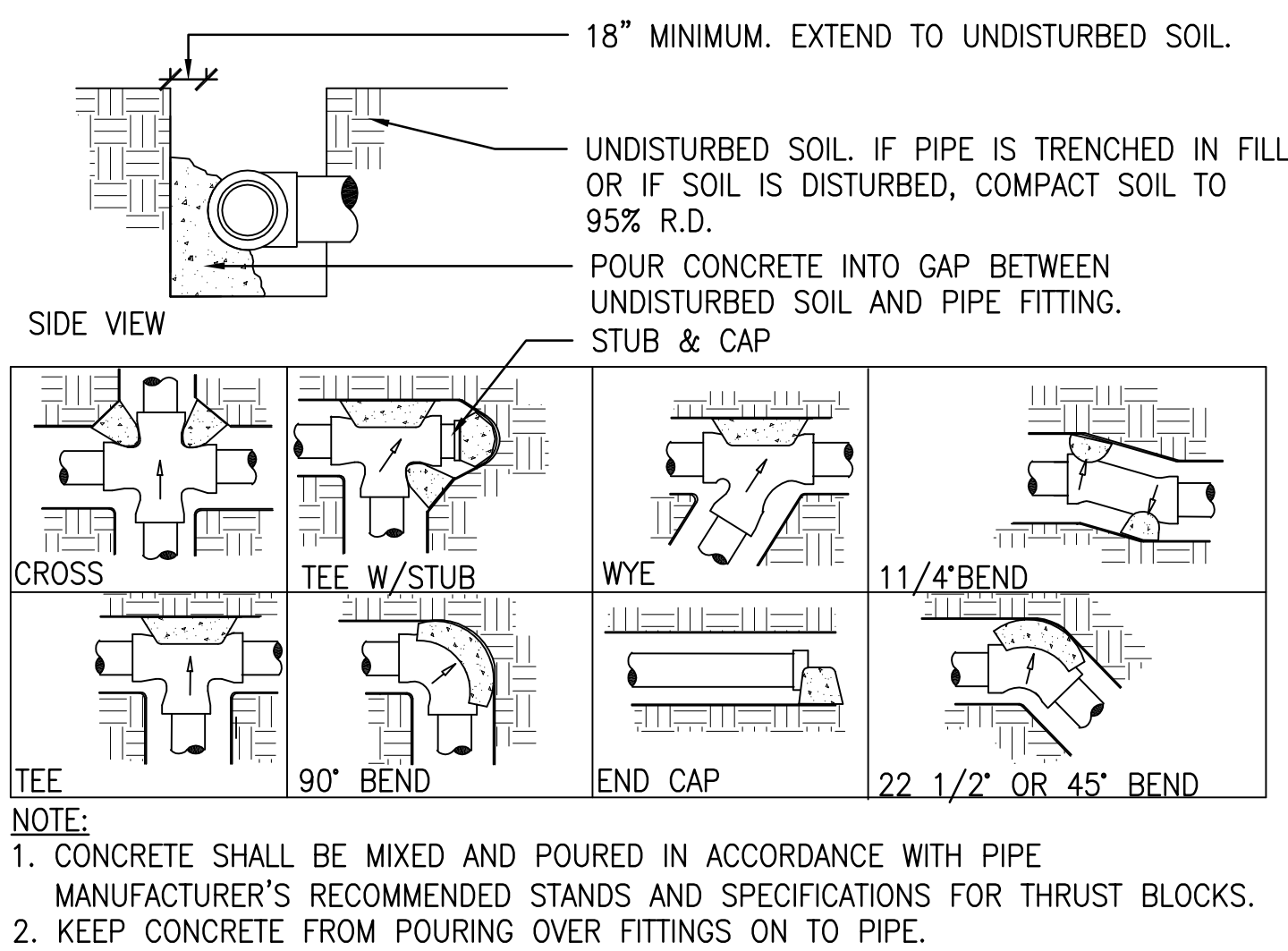
4 REMOTE CONTROL VALVE
SCALE: 1 1/2" = 1'



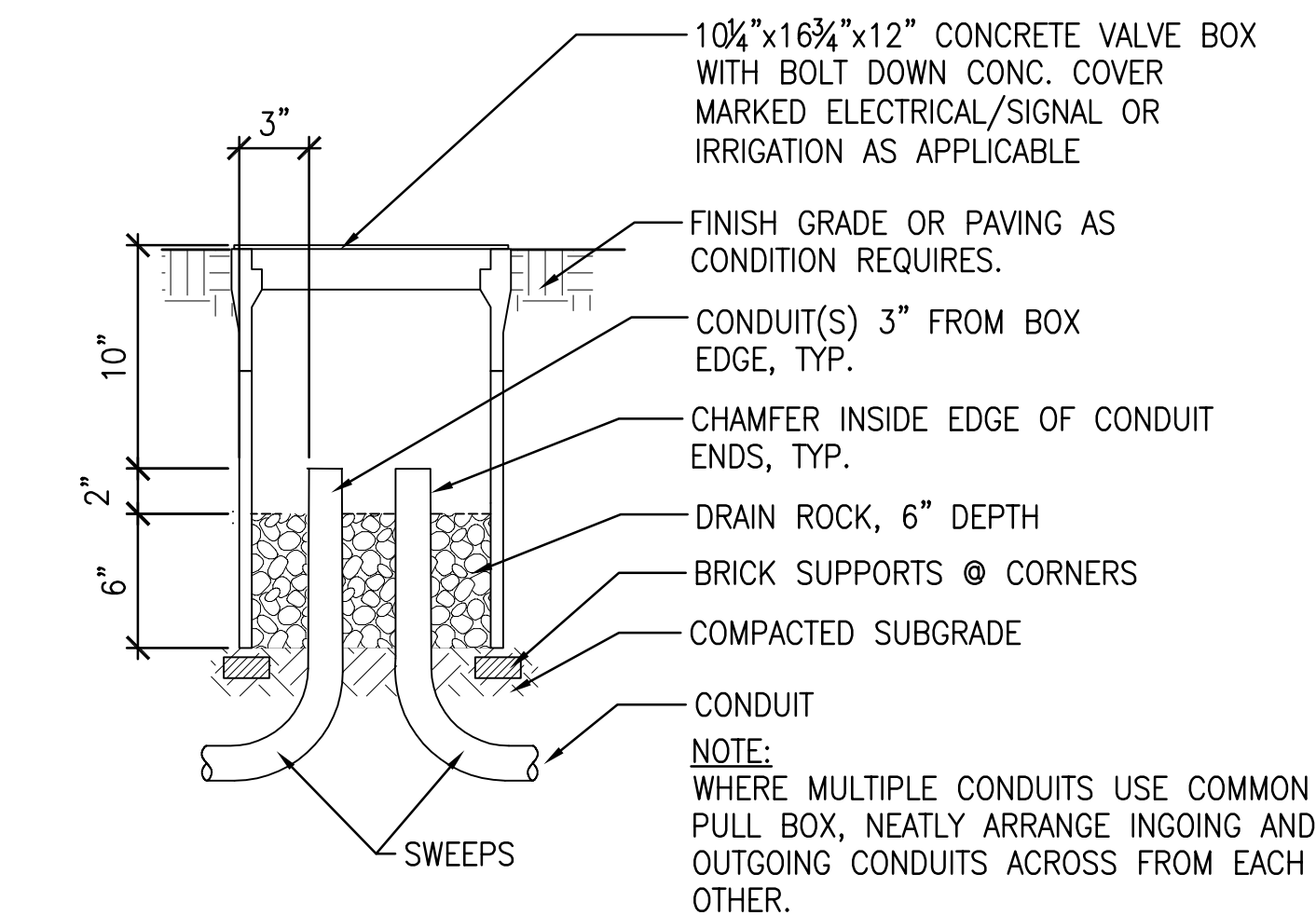
1 POP UP BUBBLER
SCALE: 3" = 1'



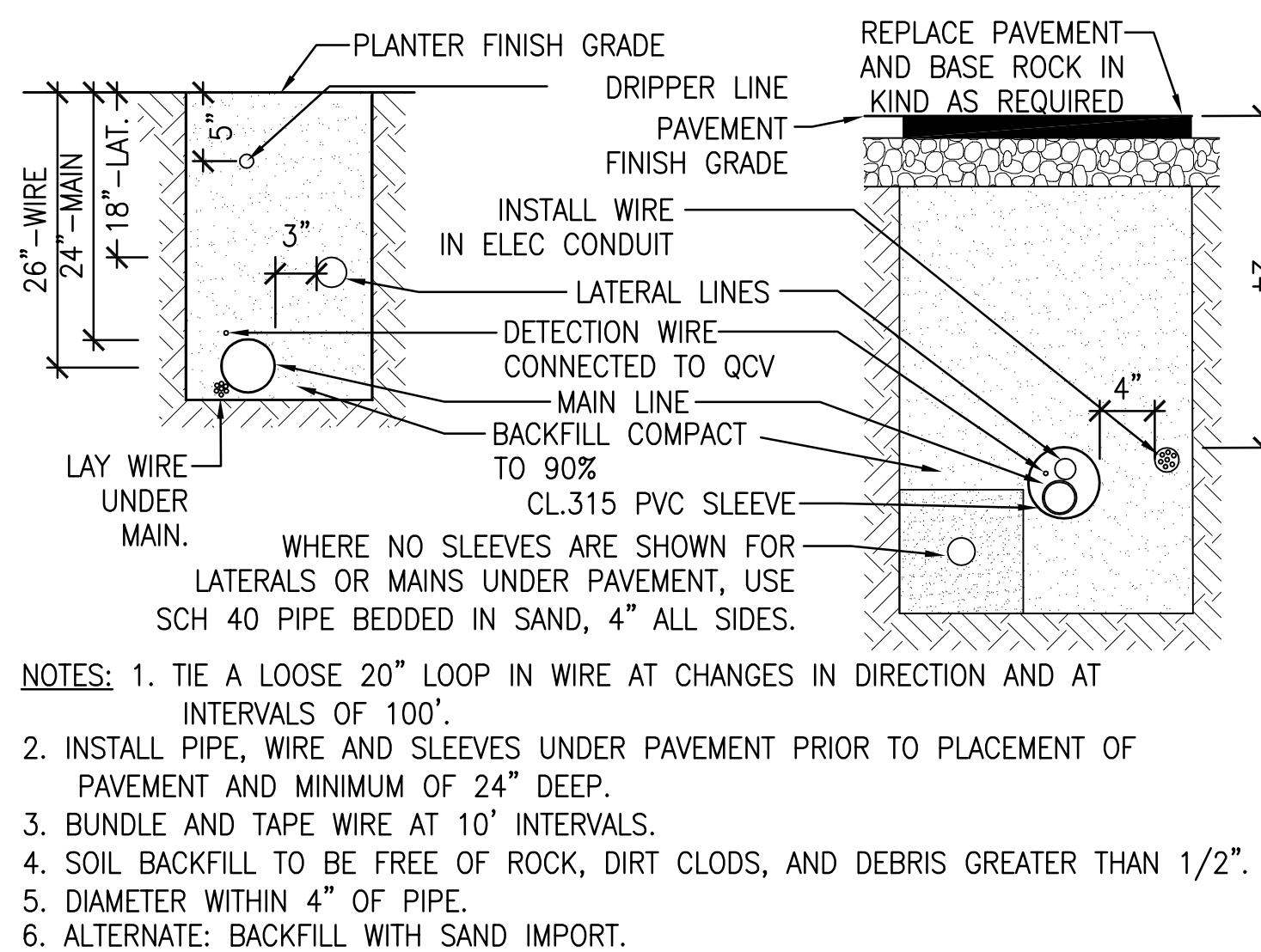
8 VALVE BOX LAYOUT
SCALE: 3/4" = 1'



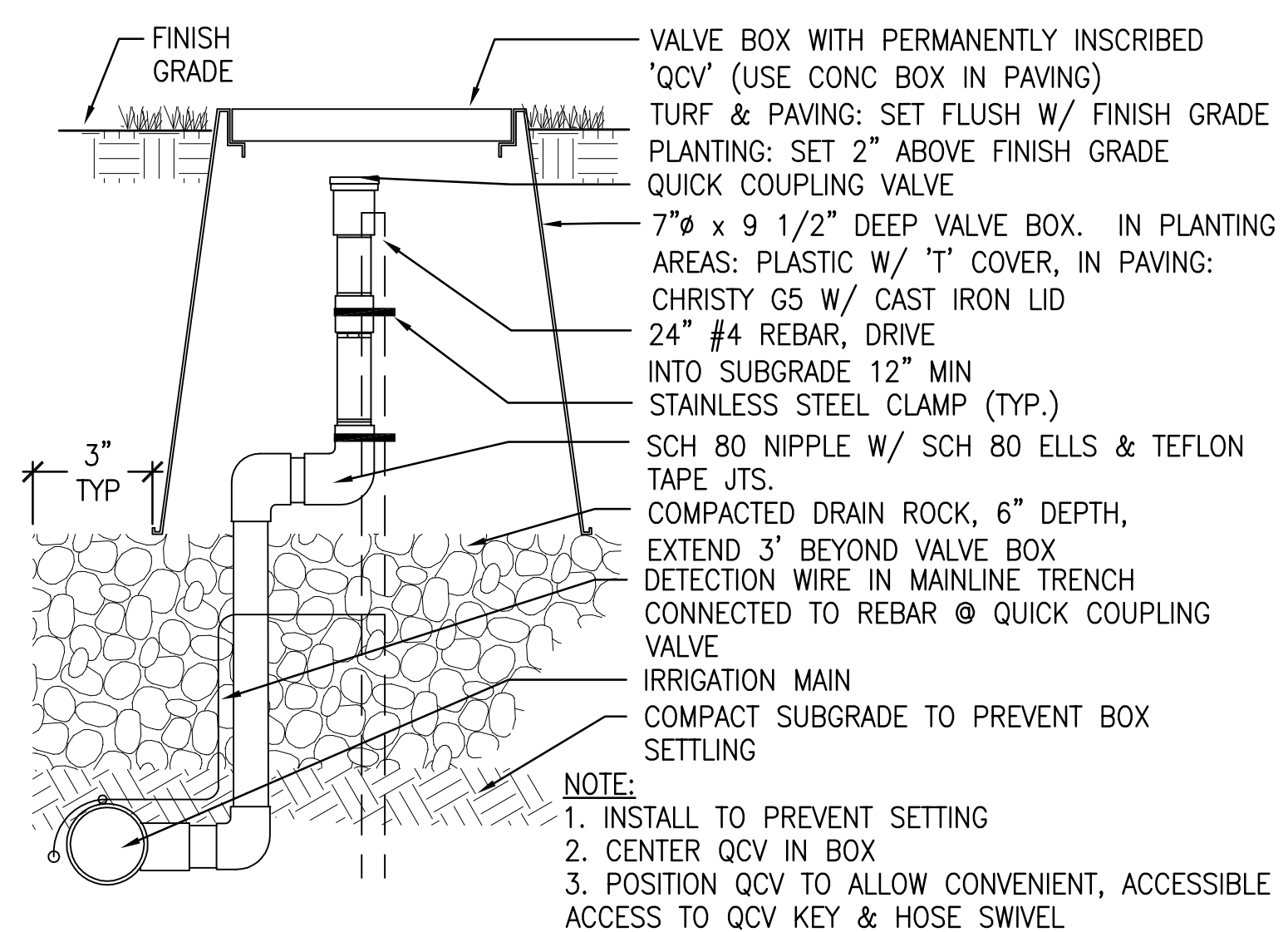
5 THRUST BLOCK
SCALE: 3" = 1'



2 PULLBOX
SCALE: 1 1/2" = 1'



6 TRENCH
SCALE: 1" = 1'



3 QUICK COUPLER VALVE
SCALE: 3" = 1'



consultant
CITY OF SAUSALITO
owner
ROBIN SWEENEY PARK
APN 064-165-012
420 LITHO STREET SAUSALITO, CA, 94965
project
1. PLANNING SUBMITTAL 02.01.2013
2. PLANNING SUBMITTAL 10.15.2013
3. PLANNING SUBMITTAL 07.29.2015
4. PERMIT SUBMITTAL 10.02.2015
no. description

key map
date 10.02.2015
scale AS SHOWN
project no. COS10-01
IRRIGATION DETAILS
sheet title

L6.05
sheet no.
BUILDING PERMIT SUBMITTAL
32 OF 58