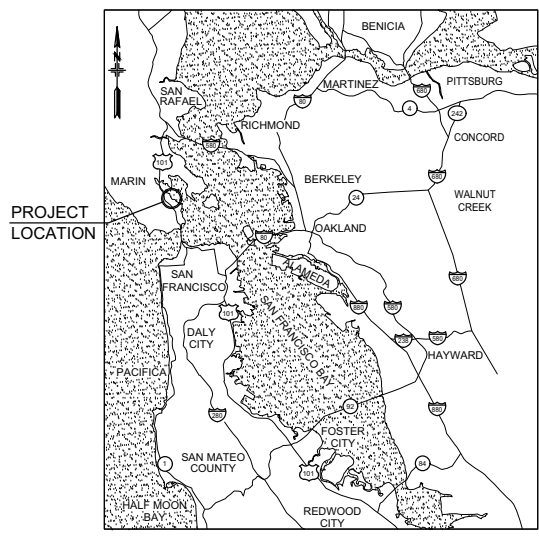


REV. NO.	SHEET NO.	TOTAL SHEETS



# Golden Gate Bridge, Highway and Transportation District SAUSALITO FERRY TERMINAL IMPROVEMENTS

## CONTRACT NO. 2010-FT-3



**VICINITY MAP**  
SCALE IN MILES  
0 5 10



**SAUSALITO FERRY TERMINAL**  
NO SCALE



**LOCATION PLAN**  
NO SCALE

**CITY OF SAUSALITO SUBMITTAL  
NOT FOR CONSTRUCTION  
08-28-2017**

For Discussion Purposes Only

GOLDEN GATE BRIDGE  
HIGHWAY & TRANSPORTATION DISTRICT  
BOX 9000, PRESIDIO STATION  
SAN FRANCISCO, CA 94129

APN 065-073-05 AND APN 065-133-22

DESIGN	BY AB	CHECKED BJ	BO JENSEN PROJECT MANAGER
DRAWN	BY TE	CHECKED	
QUANTITIES	BY	CHECKED	

**moffatt & nichol**  
2185 N. California Blvd., Suite 500  
Walnut Creek, CA 94596

REGISTERED CIVIL ENGINEER  
08-28-2017  
PLANS APPROVAL DATE

NO.	REVISIONS	BY	DATE

APPROVED BY  
  
DISTRICT ENGINEER  
DATE

PROJECT TITLE  
**GOLDEN GATE SAUSALITO FERRY TERMINAL IMPROVEMENTS**

SHEET TITLE  
TITLE SHEET



P:\7038\_GGBD\_Ferry\_Terminals\600\_Cadd\600\_Working\SAUSALITO\CADD\703800\_GP.1.dwg Aug 28, 2017 - 9:27am

ORIGINAL SCALE IN INCHES  
FOR REDUCED PLANS 0 1 2 3

IF SHEET IS LESS THAN 22" x 34" IT IS A  
REDUCED PRINT - SCALE REDUCED ACCORDINGLY.

REV. NO.	SHEET NO.	TOTAL SHEETS
---	---	---

### SHEET INDEX

DRAWING NO	SHEET TITLE
<b>GENERAL</b>	
GP.1	TITLE SHEET
GP.2	SHEET INDEX
GP.5	SITE LAYOUT PLAN 144 FT X 49 FT FLOAT
GP.5.A	SITE LAYOUT PLAN 144 FT X 49 FT FLOAT NO BELVEDERES ALTERNATIVE
GP.9	GANGWAY, FIXED LANDING & BOARDING APRON - SLOPES
<b>CIVIL</b>	
CS.1	STAGE CONSTRUCTION
C.1	SITE CONTROL PLAN
C.1.A	SITE CONTROL PLAN NO BELVEDERES ALTERNATIVE
C.2	DETAIL SITE LAYOUT 1 OF 2
C.2.A	DETAIL SITE LAYOUT 1 OF 2 NO BELVEDERES ALTERNATIVE
C.3	DETAIL SITE LAYOUT 2 OF 2
C.3.A	DETAIL SITE LAYOUT 2 OF 2 NO BELVEDERES ALTERNATIVE
C.4	DEMOLITION PLAN
<b>STRUCTURAL - FLOAT</b>	
S1.1	FLOAT DECK LAYOUT PLAN
S1.2	144 FT X 49 FT FLOAT DIMENSION PLAN
S1.4	FLOAT STRUCTURAL ARRANGEMENT PLAN
S1.5	FLOAT LONGITUDINAL & TRANSVERSE SECTIONS
S1.23	FLOAT FIXED LANDING PLAN, ELEVATION & SECTION
S1.27	FLOAT BOARDING APRON PLAN, ELEVATION & SECTION
S1.31	FLOAT BOARDING PLATFORM PLAN & SECTION
S1.36	FLOAT FIXED BOARDING RAMP SHEET 1
<b>STRUCTURAL - GANGWAY</b>	
S2.1	GANGWAY PLAN & ELEVATION
<b>STRUCTURAL - PILES</b>	
S3.2	GUIDE PILE & DONUT FENDER
<b>STRUCTURAL - PIER</b>	
S4.1	ACCESS PIER PLAN & ELEVATION
S4.1.A	ACCESS PIER PLAN & ELEVATION NO BELVEDERES ALTERNATIVE
S4.5	ACCESS PIER PILE DETAILS
<b>STRUCTURAL - TEMPORARY PIER</b>	
S5.2	TEMPORARY PIER FRAMING PLAN, SECTIONS & DETAILS
S5.3	TEMPORARY PIER FRAMING & MISCELLANEOUS DETAILS

DRAWING NO	SHEET TITLE
<b>ARCHITECTURAL</b>	
A1.11	SITE PLAN
A1.11.A	SITE PLAN NO BELVEDERES ALTERNATIVE
A2.12	LIGHTING PLAN
A2.12.A	LIGHTING PLAN NO BELVEDERES ALTERNATIVE
A2.21	GUARDRAILS ENLARGED ELEVATIONS/PLANS
A2.22	GUARDRAILS ENLARGED ELEVATIONS/PLANS
A2.23	ENTRY GATE PLAN & ELEVATIONS
A2.31	GUARDRAIL SECTIONS
A2.32	GUARDRAIL SECTIONS
<b>ELECTRICAL</b>	
E2.0	ELECTRICAL SITE PLAN
E2.1	ELECTRICAL DEMOLITION WORK
E2.2	ELECTRICAL NEW WORK - TEMPORARY
E2.3	ELECTRICAL NEW WORK
E2.4	ELECTRICAL FLOAT DECK PLAN
E3.1	ELECTRICAL ENLARGED PLAN
E3.2	ELECTRICAL PIER ELEVATION
E3.7	ELECTRICAL NEW PIER XFMR PLAN SECTION & DETAIL

P:\7038 GGBD Ferry Terminal\600 Cadd\660 Working\SAUSALITO\CADD\703800\_GP.2.dwg Aug 28, 2017 - 9:29am

For Discussion Purposes Only

GOLDEN GATE BRIDGE  
HIGHWAY & TRANSPORTATION DISTRICT  
BOX 9000, PRESIDIO STATION  
SAN FRANCISCO, CA 94129

APN 065-073-05 AND APN 065-133-22

DESIGN	BY	AB	CHECKED	BJ	BO JENSEN PROJECT MANAGER
DRAWN	BY	TE	CHECKED		
QUANTITIES	BY		CHECKED		

**moffatt & nichol**  
2185 N. California Blvd., Suite 500  
Walnut Creek, CA 94596

REGISTERED CIVIL ENGINEER  
08-28-2017  
PLANS APPROVAL DATE

NO.	REVISIONS	BY	DATE

APPROVED BY

DISTRICT ENGINEER

DATE

PROJECT TITLE  
**GOLDEN GATE SAUSALITO FERRY TERMINAL IMPROVEMENTS**

SHEET TITLE  
**SHEET INDEX**

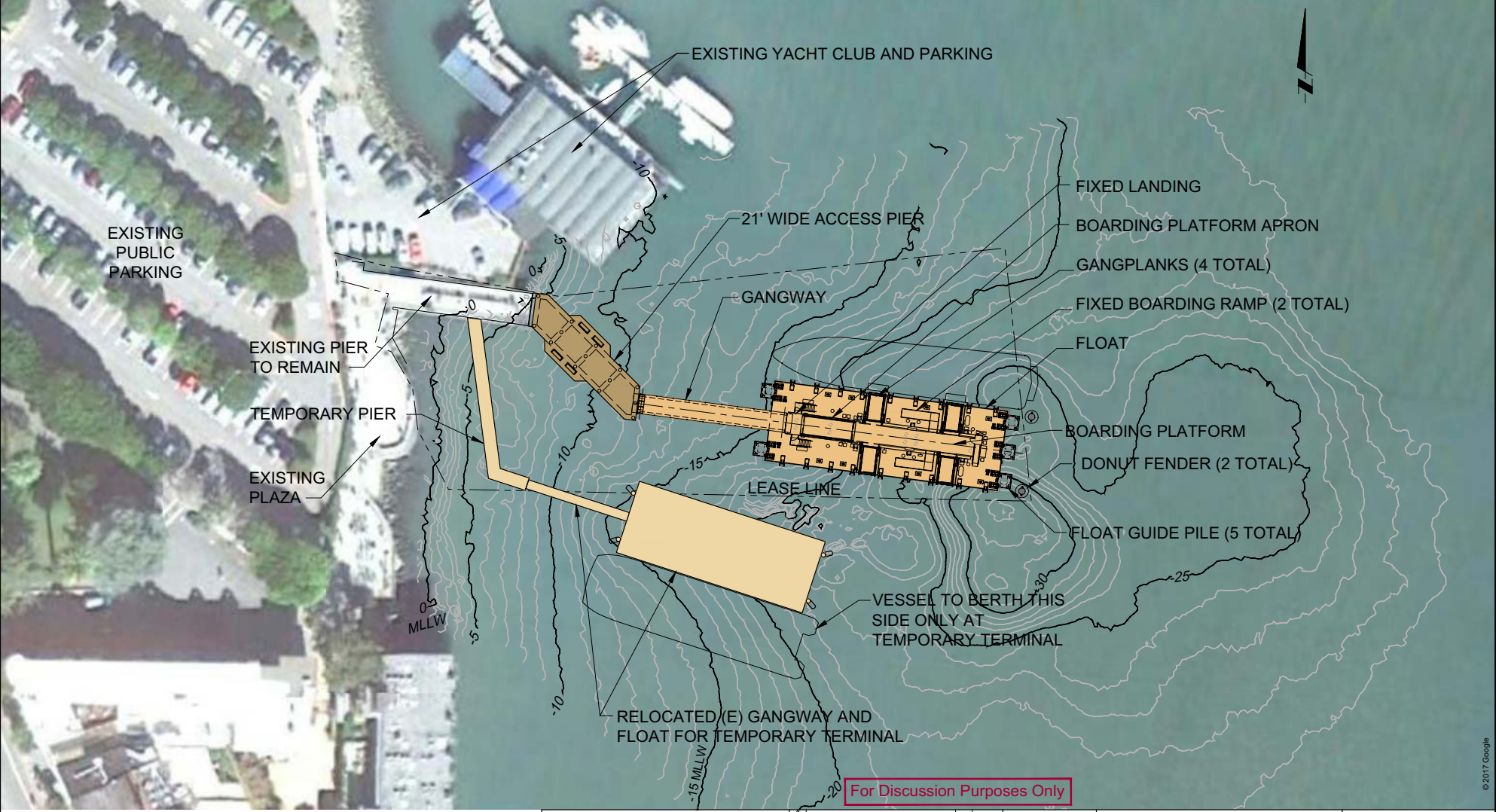


ORIGINAL SCALE IN INCHES  
FOR REDUCED PLANS

0	1	2	3
---	---	---	---

IF SHEET IS LESS THAN 22" x 34" IT IS A  
REDUCED PRINT - SCALE REDUCED ACCORDINGLY.

REV. NO.	SHEET NO.	TOTAL SHEETS
---	---	---



For Discussion Purposes Only

P:\7038 GGBD Ferry Terminals\600 Cadd\660 Working\SAUSALITO\CADD\703800\_GP.5.dwg Aug 28, 2017 - 10:11am

©2017 Google

GOLDEN GATE BRIDGE  
HIGHWAY & TRANSPORTATION DISTRICT  
BOX 9000, PRESIDIO STATION  
SAN FRANCISCO, CA 94129

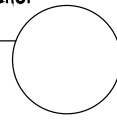
**NOT TO SCALE**



2185 N. California Blvd., Suite 500  
Walnut Creek, CA 94596

DESIGN	BY AB	CHECKED BJ	BO JENSEN PROJECT MANAGER
DRAWN	BY TE	CHECKED	
QUANTITIES	BY	CHECKED	

REGISTERED CIVIL ENGINEER  
08-28-2017  
PLANS APPROVAL DATE



NO.	REVISIONS	BY	DATE



APPROVED BY  
DISTRICT ENGINEER  
DATE

PROJECT TITLE  
**GOLDEN GATE SAUSALITO FERRY TERMINAL IMPROVEMENTS**

SHEET TITLE  
**SITE LAYOUT PLAN  
144 FT X 49 FT  
FLOAT**



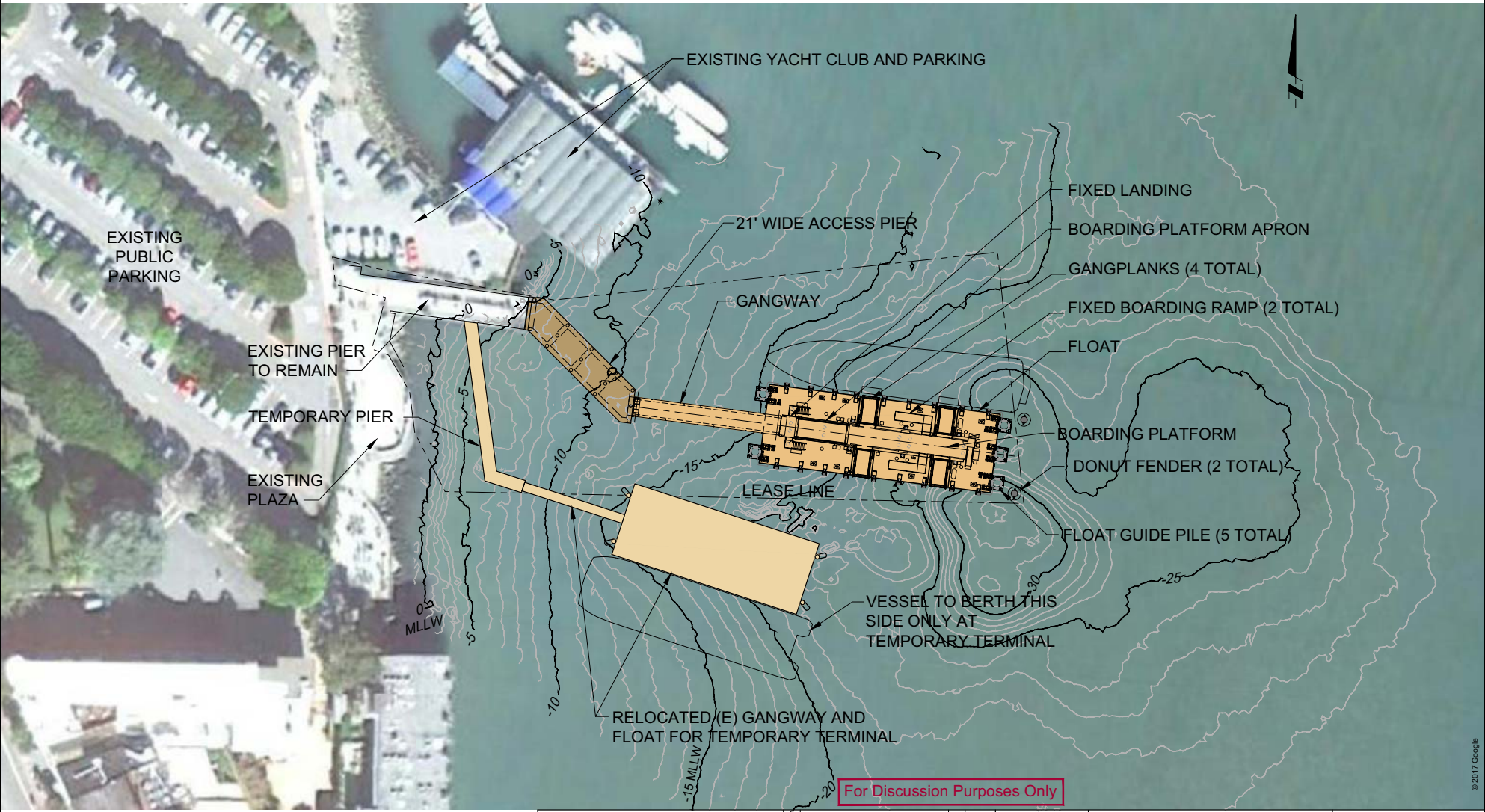
ORIGINAL SCALE IN INCHES	0	1	2	3
FOR REDUCED PLANS				

IF SHEET IS LESS THAN 22" x 34" IT IS A  
REDUCED PRINT - SCALE REDUCED ACCORDINGLY.

CONTRACT NO. 2011-B-2  
CADD FILE 703800\_GP.5.dwg  
DRAWING NO. GP.5

# NO BELVEDERES ALTERNATIVE

REV. NO.	SHEET NO.	TOTAL SHEETS



For Discussion Purposes Only

P:\7038\_GGBD\_Ferry\_Terminals\600\_Cadd\660\_Working\SAUSALITO\CADD\703800\_GP.5.A.dwg Aug 24, 2017 - 2:42pm

©2017 Google

GOLDEN GATE BRIDGE  
HIGHWAY & TRANSPORTATION DISTRICT  
BOX 9000, PRESIDIO STATION  
SAN FRANCISCO, CA 94129

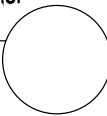
NOT TO SCALE



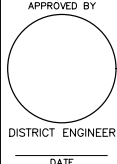
2185 N. California Blvd., Suite 500  
Walnut Creek, CA 94596

DESIGN	BY AB	CHECKED BJ	BO JENSEN PROJECT MANAGER
DRAWN	BY TE	CHECKED	
QUANTITIES	BY	CHECKED	

REGISTERED CIVIL ENGINEER  
08-18-2017  
PLANS APPROVAL DATE



NO. REVISIONS	BY	DATE
CONTRACT NO. 2011-B-2	DRAWING NO.	GP.5.A
CADD FILE 703800_GP.5.A.dwg	DATE	



APPROVED BY

DISTRICT ENGINEER

PROJECT TITLE  
**GOLDEN GATE SAUSALITO FERRY TERMINAL IMPROVEMENTS**

SHEET TITLE  
**SITE LAYOUT PLAN 144 FT X 49 FT FLOAT  
NO BELVEDERES ALTERNATIVE**

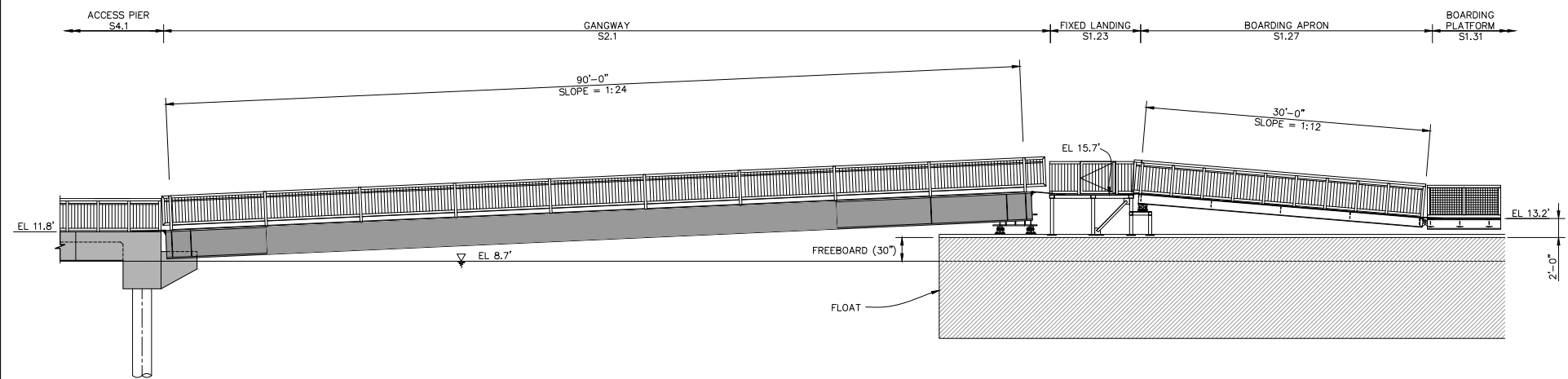


APN 065-073-05 AND APN 065-133-22

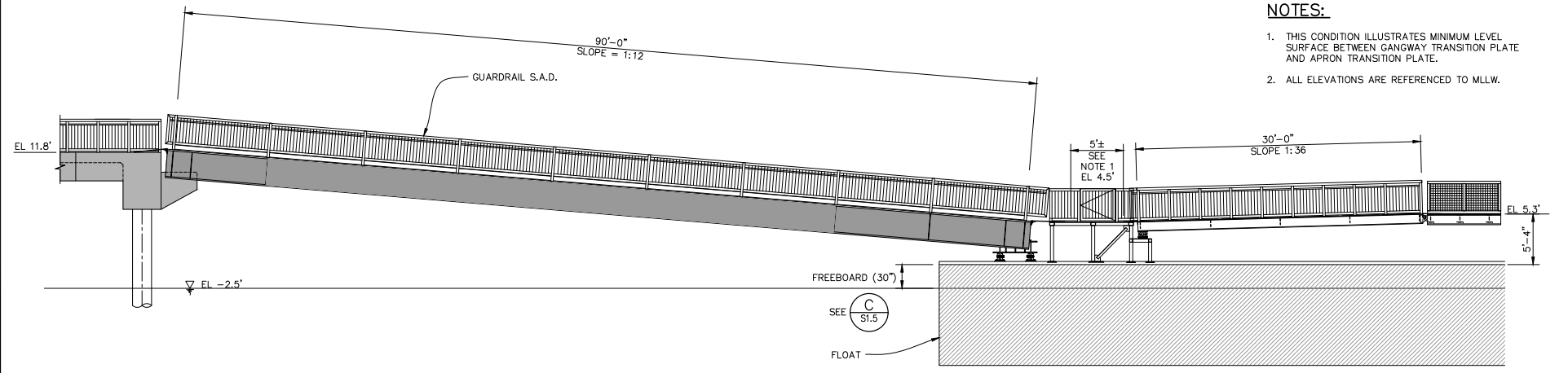
ORIGINAL SCALE IN INCHES	0	1	2	3
FOR REDUCED PLANS				

IF SHEET IS LESS THAN 22" x 34" IT IS A  
REDUCED PRINT - SCALE REDUCED ACCORDINGLY.

REV. NO.	SHEET NO.	TOTAL SHEETS

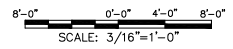


**HIGH WATER – VESSEL WITH LOW DOOR FREEBOARD**  
SCALE: 3/16" = 1'-0"



**LOW WATER – VESSEL WITH HIGH DOOR FREEBOARD**  
SCALE: 3/16" = 1'-0"

- NOTES:**
- THIS CONDITION ILLUSTRATES MINIMUM LEVEL SURFACE BETWEEN GANGWAY TRANSITION PLATE AND APRON TRANSITION PLATE.
  - ALL ELEVATIONS ARE REFERENCED TO MLLW.



For Discussion Purposes Only

GOLDEN GATE BRIDGE  
HIGHWAY & TRANSPORTATION DISTRICT  
BOX 9000, PRESIDIO STATION  
SAN FRANCISCO, CA 94129

APN 065-073-05 AND APN 065-133-22

DESIGN	BY AB	CHECKED BJ	BO JENSEN PROJECT MANAGER
DRAWN	BY TE	CHECKED	
QUANTITIES	BY	CHECKED	

**moffatt & nichol**  
2185 N. California Blvd., Suite 500  
Walnut Creek, CA 94596

REGISTERED CIVIL ENGINEER  
08-18-2017  
PLANS APPROVAL DATE

NO.	REVISIONS	BY	DATE

CONTRACT NO. 2011-B-2  
DRAWING NO. GP.9  
CADD FILE 703800\_GP.9.dwg

APPROVED BY  
  
DISTRICT ENGINEER  
DATE

PROJECT TITLE  
**GOLDEN GATE SAUSALITO FERRY TERMINAL IMPROVEMENTS**

SHEET TITLE  
**GANGWAY, FIXED LANDING & BOARDING APRON – SLOPES**



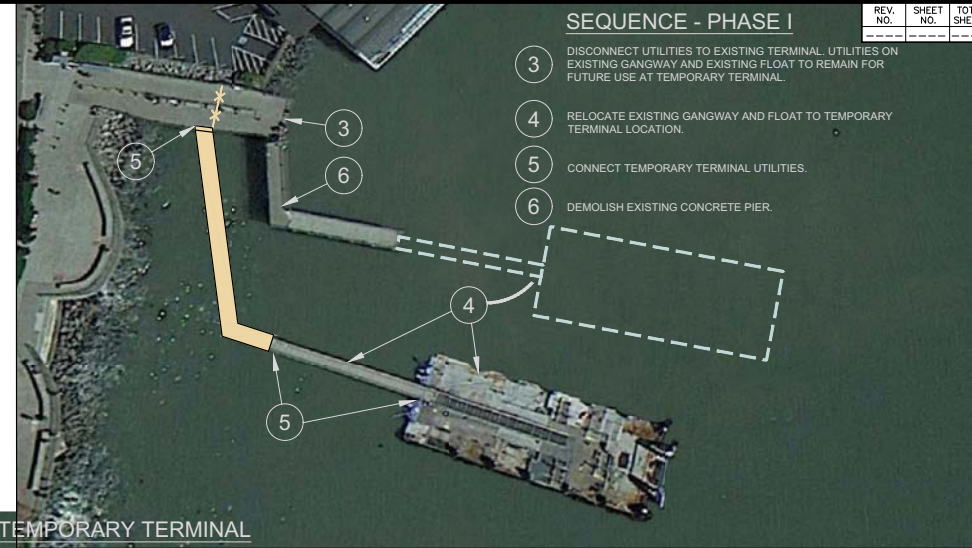
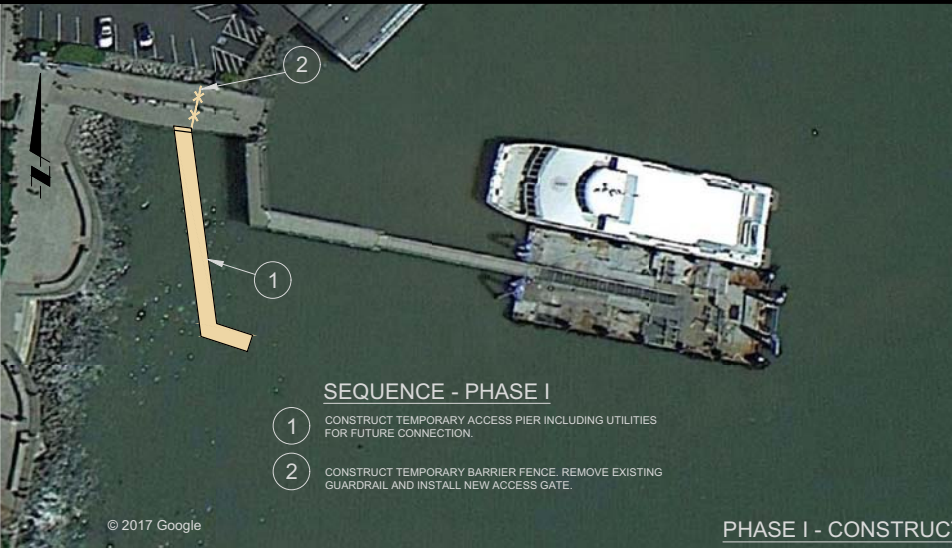
P:\7038\_GGBD\_Ferry\_Terminals\600\_Cadd\660\_Working\SAUSALITO\CADD\703800\_GP.9.dwg Aug 24, 2017 - 9:52am

ORIGINAL SCALE IN INCHES FOR REDUCED PLANS

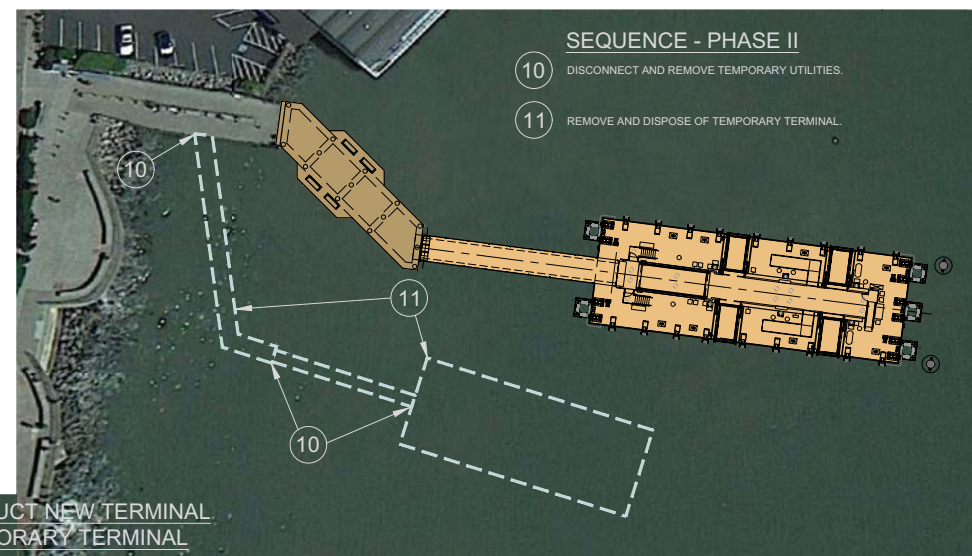
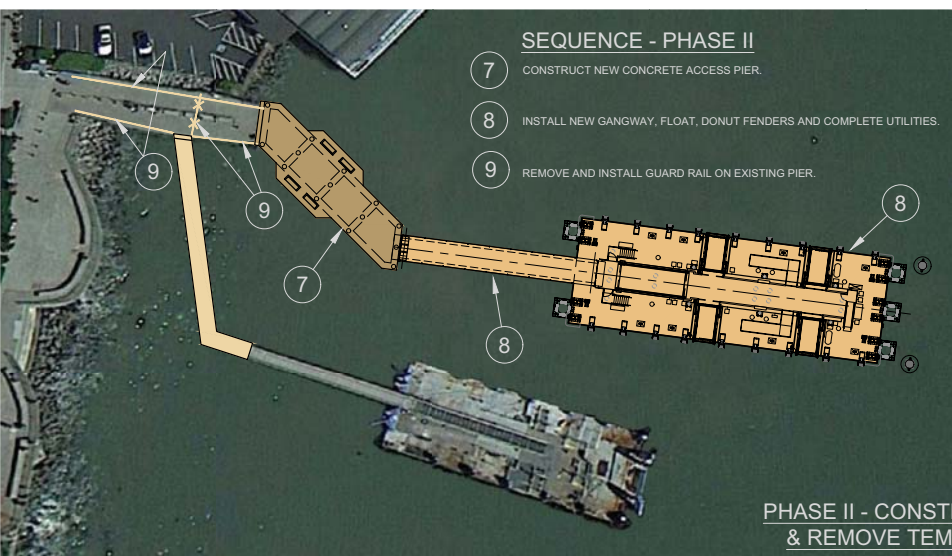
0	1	2	3
---	---	---	---

IF SHEET IS LESS THAN 22" x 34" IT IS A REDUCED PRINT – SCALE REDUCED ACCORDINGLY.

REV. NO.	SHEET NO.	TOTAL SHEETS



PHASE I - CONSTRUCT TEMPORARY TERMINAL



PHASE II - CONSTRUCT NEW TERMINAL & REMOVE TEMPORARY TERMINAL

P:\7038\_GGBD\_Ferry\_Terminals\600\_Cadd\660\_Working\SAUSALITO\CADD\703800\_CS.1.dwg Aug 24, 2017 - 1:008pm

For Discussion Purposes Only

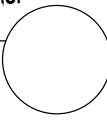
GOLDEN GATE BRIDGE  
HIGHWAY & TRANSPORTATION DISTRICT  
BOX 9000, PRESIDIO STATION  
SAN FRANCISCO, CA 94129

**NOT TO SCALE**

DESIGN	BY MJW	CHECKED BJ	BO JENSEN PROJECT MANAGER
DRAWN	BY TE	CHECKED	
QUANTITIES	BY	CHECKED	

**moffatt & nichol**  
2185 N. California Blvd., Suite 500  
Walnut Creek, CA 94596

REGISTERED CIVIL ENGINEER  
08-18-2017  
PLANS APPROVAL DATE



NO.	REVISIONS	BY	DATE

CONTRACT NO. 2011-B-2  
CADD FILE 703800\_CS.1.dwg  
DRAWING NO. CS.1

APPROVED BY  
  
DISTRICT ENGINEER  
DATE

PROJECT TITLE  
**GOLDEN GATE SAUSALITO FERRY TERMINAL IMPROVEMENTS**

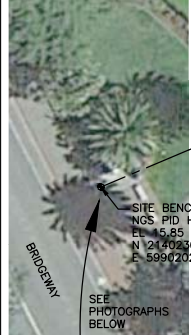
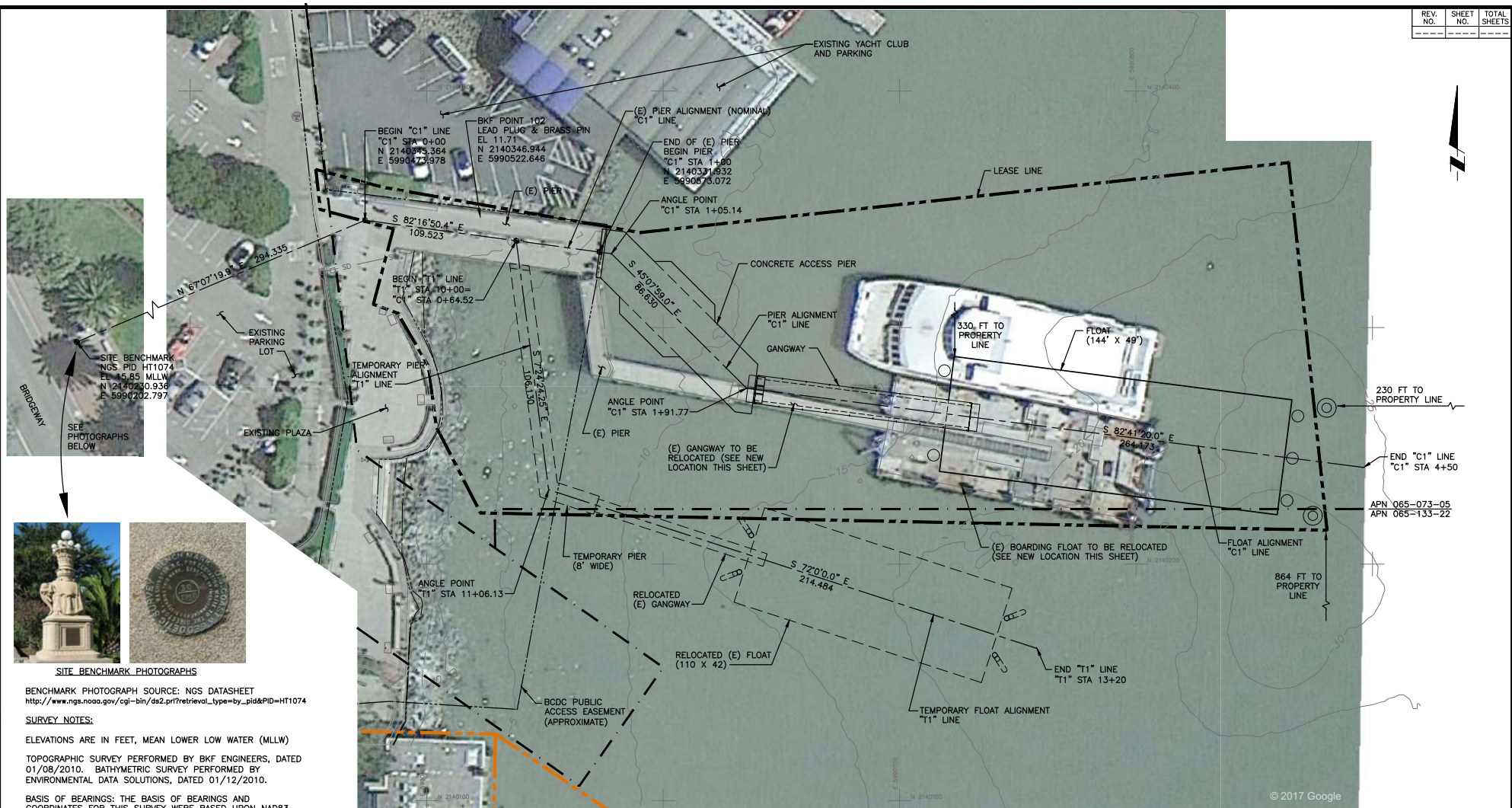
SHEET TITLE  
**STAGE CONSTRUCTION**



APN 065-073-05 AND APN 065-133-22  
ORIGINAL SCALE IN INCHES  
FOR REDUCED PLANS

IF SHEET IS LESS THAN 22" x 34" IT IS A  
REDUCED PRINT - SCALE REDUCED ACCORDINGLY.

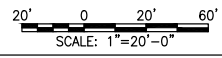
REV. NO.	SHEET NO.	TOTAL SHEETS



**SITE BENCHMARK PHOTOGRAPHS**  
 BENCHMARK PHOTOGRAPH SOURCE: NGS DATASHEET  
[http://www.ngs.noaa.gov/cgi-bin/ds2.prf?retrieval\\_type=by\\_pid&PID=HT1074](http://www.ngs.noaa.gov/cgi-bin/ds2.prf?retrieval_type=by_pid&PID=HT1074)

**SURVEY NOTES:**  
 ELEVATIONS ARE IN FEET, MEAN LOWER LOW WATER (MLLW)  
 TOPOGRAPHIC SURVEY PERFORMED BY BKF ENGINEERS, DATED 01/08/2010. BATHYMETRIC SURVEY PERFORMED BY ENVIRONMENTAL DATA SOLUTIONS, DATED 01/12/2010.  
 BASIS OF BEARINGS: THE BASIS OF BEARINGS AND COORDINATES FOR THIS SURVEY WERE BASED UPON NAD83, CALIFORNIA COORDINATE SYSTEM OF 1983, EPOCH 2007.  
 BENCHMARK: FOUND DISK STAMPED "30 1936" HAVING THE NGS PID HT1074 & NOAA VM #8414, PER TIDAL BENCHMARK REPORT #9414806, AND AN ELEVATION ABOVE MEAN LOWER LOW WATER IN US SURVEY FEET OF 15.85'.

**SITE CONTROL PLAN**



NOTE: AERIAL PHOTOGRAPH SOURCE: GOOGLE EARTH, DATED 5-6-2012

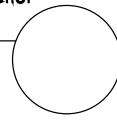
GOLDEN GATE BRIDGE  
 HIGHWAY & TRANSPORTATION DISTRICT  
 BOX 9000, PRESIDIO STATION  
 SAN FRANCISCO, CA 94129

**For Discussion Purposes Only**

DESIGN	BY NN	CHECKED BJ	BO JENSEN PROJECT MANAGER
DRAWN	BY NN	CHECKED	
QUANTITIES	BY	CHECKED	

**moffatt & nichol**  
 2185 N. California Blvd., Suite 500  
 Walnut Creek, CA 94596

REGISTERED CIVIL ENGINEER  
 08-18-2017  
 PLANS APPROVAL DATE



NO. REVISIONS	BY	DATE	DISTRICT ENGINEER
CONTRACT NO. 2011-B-2	BY	DATE	DISTRICT ENGINEER
CADD FILE 703800_C.1.dwg			

APPROVED BY  
 PROJECT TITLE  
**GOLDEN GATE SAUSALITO FERRY TERMINAL IMPROVEMENTS**

SHEET TITLE  
**SITE CONTROL PLAN**



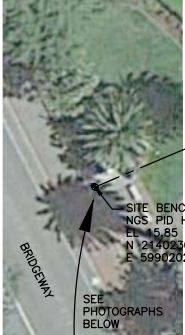
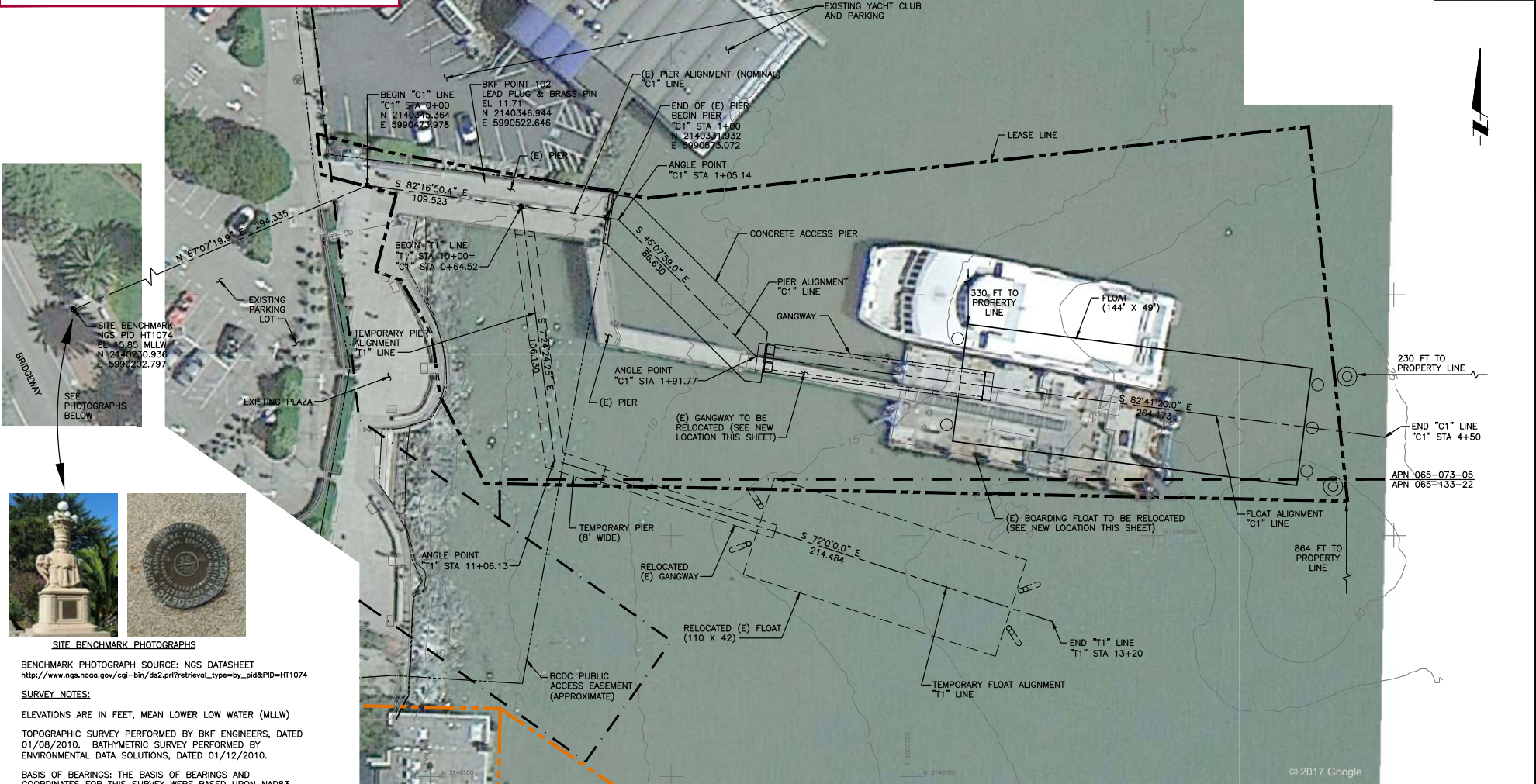
ORIGINAL SCALE IN INCHES FOR REDUCED PLANS: 0 1 2 3

IF SHEET IS LESS THAN 22" x 34" IT IS A REDUCED PRINT - SCALE REDUCED ACCORDINGLY.

P:\7038\_GGBD\_Ferry\_Terminals\500\_Cadd\560\_Working\SAUSALITO\CADD\703800\_C.1.dwg Aug 24, 2017 10:19am

# NO BELVEDERES ALTERNATIVE

REV. NO.	SHEET NO.	TOTAL SHEETS



SITE BENCHMARK  
NGS PID HT1074  
EL. 15.85 MLLW  
N 2140330.936  
E 5990202.797



SITE BENCHMARK PHOTOGRAPHS

BENCHMARK PHOTOGRAPH SOURCE: NGS DATASHEET  
[http://www.ngs.noaa.gov/cgi-bin/ds2.prf?retrieval\\_type=by\\_pid&PID=HT1074](http://www.ngs.noaa.gov/cgi-bin/ds2.prf?retrieval_type=by_pid&PID=HT1074)

**SURVEY NOTES:**  
 ELEVATIONS ARE IN FEET, MEAN LOWER LOW WATER (MLLW)  
 TOPOGRAPHIC SURVEY PERFORMED BY BKF ENGINEERS, DATED 01/08/2010. BATHYMETRIC SURVEY PERFORMED BY ENVIRONMENTAL DATA SOLUTIONS, DATED 01/12/2010.  
 BASIS OF BEARINGS: THE BASIS OF BEARINGS AND COORDINATES FOR THIS SURVEY WERE BASED UPON NAD83, CALIFORNIA COORDINATE SYSTEM OF 1983, EPOCH 2007.

BENCHMARK: FOUND DISK STAMPED "30 1936" HAVING THE NGS PID HT1074 & NOAA VM #8414, PER TIDAL BENCHMARK REPORT #9414806, AND AN ELEVATION ABOVE MEAN LOWER LOW WATER IN US SURVEY FEET OF 15.85'.

GOLDEN GATE BRIDGE  
 HIGHWAY & TRANSPORTATION DISTRICT  
 BOX 9000, PRESIDIO STATION  
 SAN FRANCISCO, CA 94129

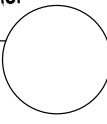
**For Discussion Purposes Only**

DESIGN	BY NN	CHECKED BJ	BO JENSEN PROJECT MANAGER
DRAWN	BY NN	CHECKED	
QUANTITIES	BY	CHECKED	

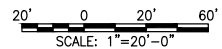
NOTE: AERIAL PHOTOGRAPH SOURCE: GOOGLE EARTH, DATED 5-6-2012

**moffatt & nichol**  
 2185 N. California Blvd., Suite 500  
 Walnut Creek, CA 94596

REGISTERED CIVIL ENGINEER  
 08-18-2017  
 PLANS APPROVAL DATE



NO. REVISIONS	BY	DATE	DISTRICT ENGINEER
CONTRACT NO. 2011-B-2	DRAWING NO.		
CADD FILE 703800_C.1.A.dwg	C.1.A		



PROJECT TITLE  
**GOLDEN GATE SAUSALITO FERRY TERMINAL IMPROVEMENTS**

SHEET TITLE  
**SITE CONTROL PLAN**  
**NO BELVEDERES ALTERNATIVE**

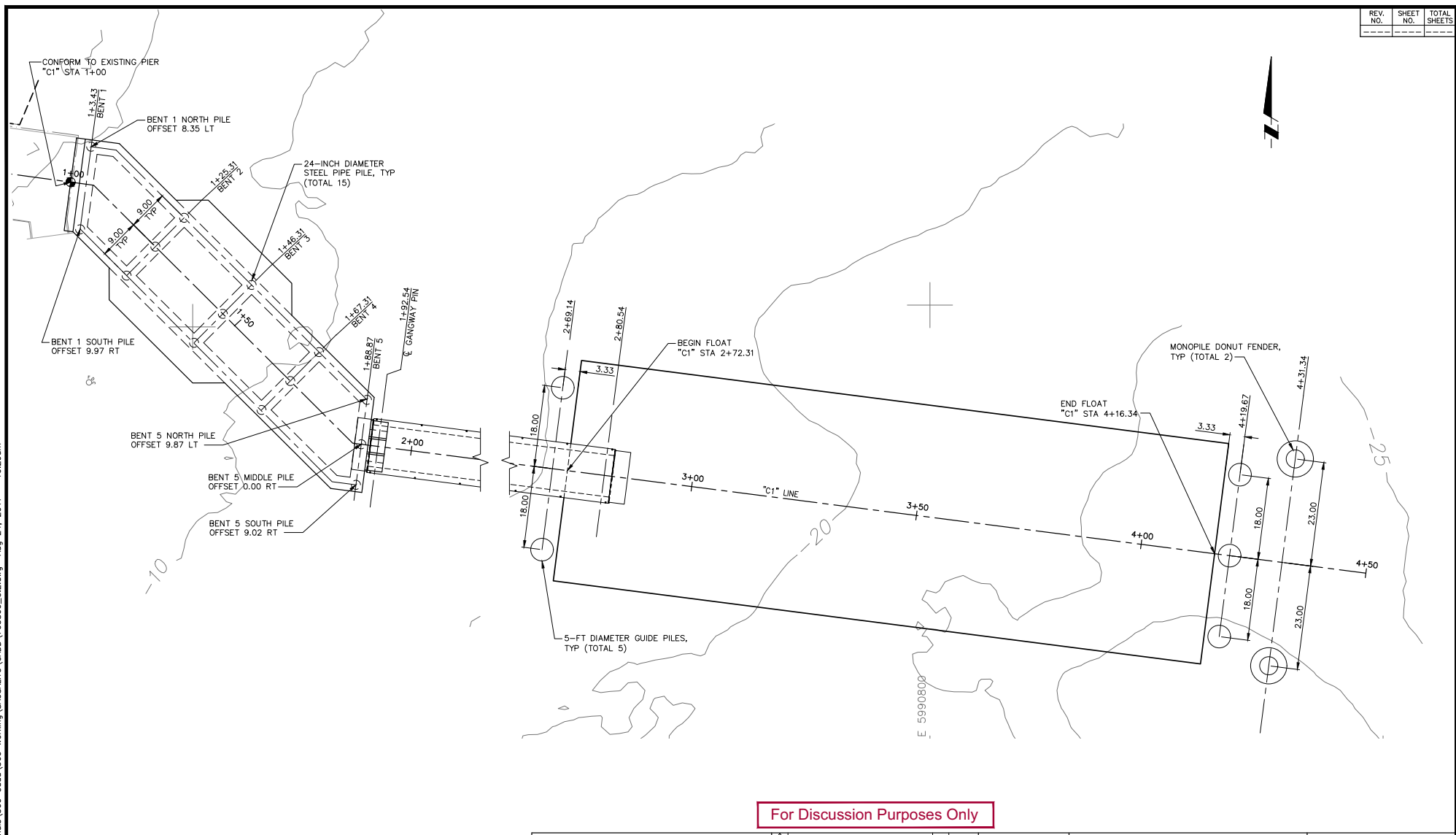


P:\7038\_GGBD\_Ferry\_Terminals\500\_Cadd\560\_Working\SAUSALITO\CADD\703800\_C.1.dwg Aug 24, 2017 10:26am

ORIGINAL SCALE IN INCHES FOR REDUCED PLANS: 0 1 2 3  
 IF SHEET IS LESS THAN 22" x 34" IT IS A REDUCED PRINT - SCALE REDUCED ACCORDINGLY.



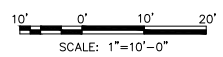
REV. NO.	SHEET NO.	TOTAL SHEETS



P:\7038 GGBD Ferry Terminal\600 Cadd\660 Working\SAUSALITO\CADD\703800\_C.2.dwg Aug 24, 2017 10:29am

For Discussion Purposes Only

GOLDEN GATE BRIDGE  
HIGHWAY & TRANSPORTATION DISTRICT  
BOX 9000, PRESIDIO STATION  
SAN FRANCISCO, CA 94129

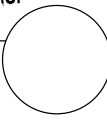


DESIGN	BY NN	CHECKED BJ	BO JENSEN PROJECT MANAGER
DRAWN	BY NN	CHECKED	
QUANTITIES	BY	CHECKED	

APN 065-073-05 AND APN 065-133-22

**moffatt & nichol**  
2185 N. California Blvd., Suite 500  
Walnut Creek, CA 94596

REGISTERED CIVIL ENGINEER  
08-18-2017  
PLANS APPROVAL DATE



NO.	REVISIONS	BY	DATE

CONTRACT NO. 2011-B-2  
CADD FILE 703800\_C.2.dwg

APPROVED BY  
  
DISTRICT ENGINEER  
DATE

PROJECT TITLE  
**GOLDEN GATE SAUSALITO FERRY TERMINAL IMPROVEMENTS**

SHEET TITLE  
**DETAIL SITE LAYOUT  
1 OF 2**

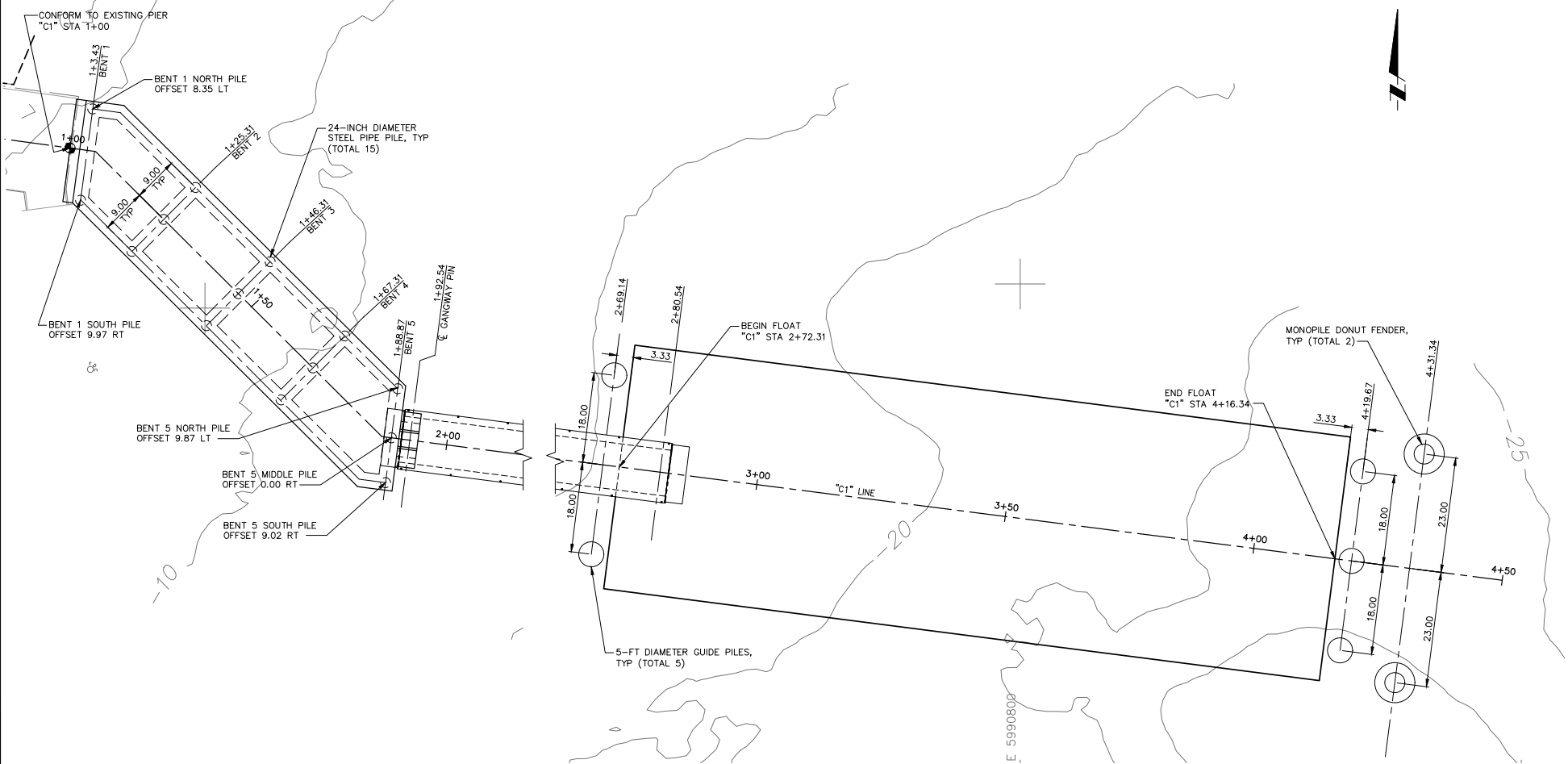


ORIGINAL SCALE IN INCHES FOR REDUCED PLANS	0	1	2	3

IF SHEET IS LESS THAN 22" x 34" IT IS A REDUCED PRINT - SCALE REDUCED ACCORDINGLY.

# NO BELVEDERES ALTERNATIVE

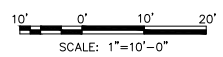
REV. NO.	SHEET NO.	TOTAL SHEETS



P:\7038\_GGBD\_Ferry\_Terminals\500\_Cadd\560\_Working\SAUSALITO\_CADD\703800\_C2A.dwg Aug 24, 2017 - 2:45pm

For Discussion Purposes Only

GOLDEN GATE BRIDGE  
HIGHWAY & TRANSPORTATION DISTRICT  
BOX 9000, PRESIDIO STATION  
SAN FRANCISCO, CA 94129



DESIGN	BY NN	CHECKED BJ	BO JENSEN PROJECT MANAGER
DRAWN	BY NN	CHECKED	
QUANTITIES	BY	CHECKED	

**moffatt & nichol**  
2185 N. California Blvd., Suite 500  
Walnut Creek, CA 94596

REGISTERED CIVIL ENGINEER  
08-18-2017  
PLANS APPROVAL DATE

NO.	REVISIONS	BY	DATE

CONTRACT NO. 2011-B-2  
CADD FILE 703800\_C2A.dwg

APPROVED BY  
  
DISTRICT ENGINEER  
DATE

PROJECT TITLE  
**GOLDEN GATE SAUSALITO FERRY TERMINAL IMPROVEMENTS**

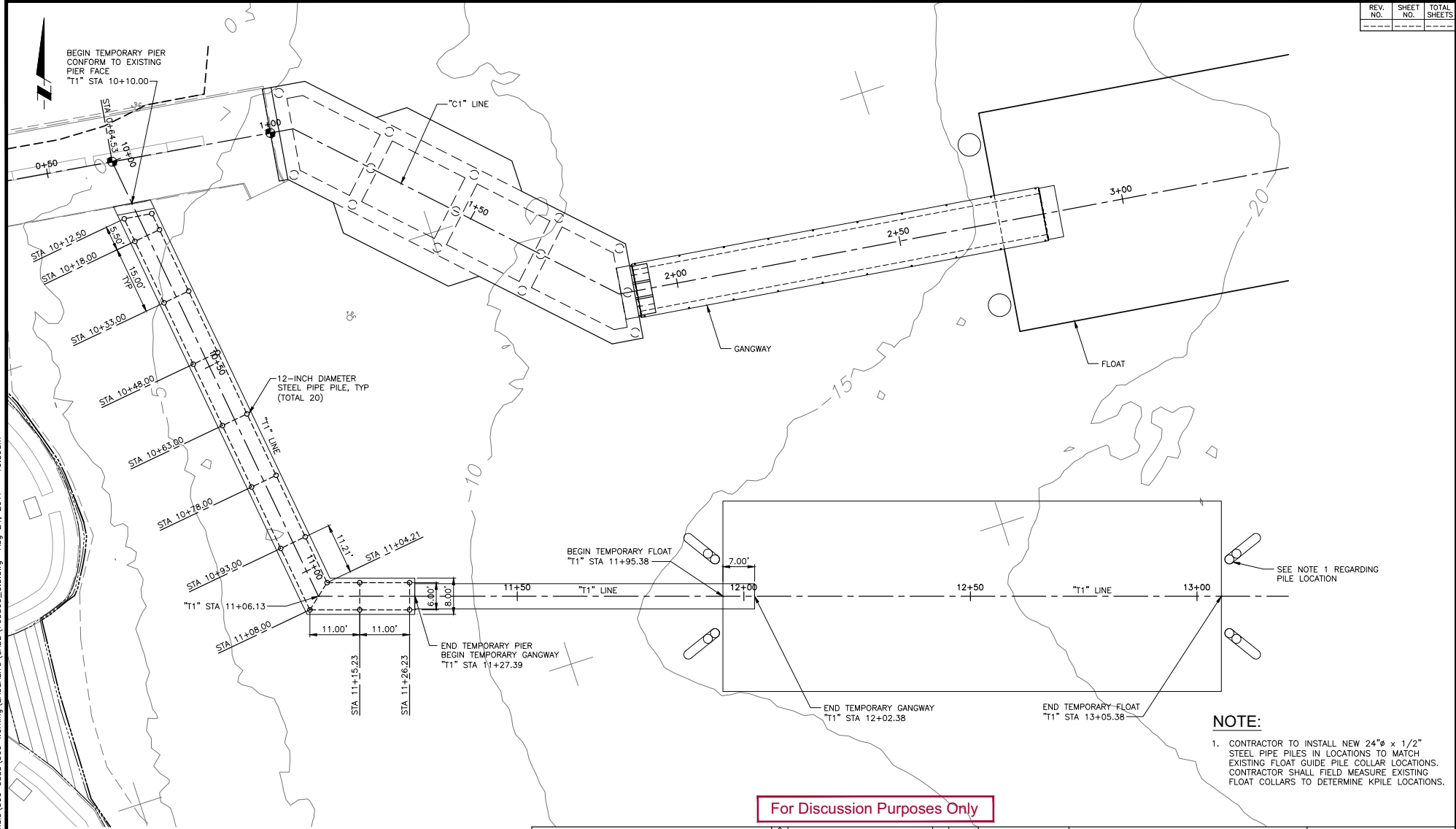
SHEET TITLE  
DETAIL SITE LAYOUT 1 OF 2  
**NO BELVEDERES ALTERNATIVE**



ORIGINAL SCALE IN INCHES	0	1	2	3
FOR REDUCED PLANS				

IF SHEET IS LESS THAN 22" x 34" IT IS A REDUCED PRINT - SCALE REDUCED ACCORDINGLY.

REV. NO.	SHEET NO.	TOTAL SHEETS
---	---	---



**NOTE:**

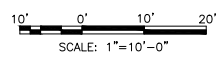
- CONTRACTOR TO INSTALL NEW 24"ø x 1/2" STEEL PIPE PILES IN LOCATIONS TO MATCH EXISTING FLOAT GUIDE PILE COLLAR LOCATIONS. CONTRACTOR SHALL FIELD MEASURE EXISTING FLOAT COLLARS TO DETERMINE KPILE LOCATIONS.

For Discussion Purposes Only

P:\7038 CGSB Ferry Terminal\600 Cadd\600 Working\SAUSALITO\CADD\703800\_C.3.dwg Aug 24, 2017 - 10:39am

GOLDEN GATE BRIDGE  
HIGHWAY & TRANSPORTATION DISTRICT  
BOX 9000, PRESIDIO STATION  
SAN FRANCISCO, CA 94129

APN 065-073-05 AND APN 065-133-22



DESIGN	BY NN	CHECKED BJ	BO JENSEN PROJECT MANAGER
DRAWN	BY NN/TE	CHECKED	
QUANTITIES	BY	CHECKED	

**mottatt & nichol**  
2185 N. California Blvd., Suite 500  
Walnut Creek, CA 94596

REGISTERED CIVIL ENGINEER  
08-18-2017  
PLANS APPROVAL DATE

NO.	REVISIONS	BY	DATE

APPROVED BY  
  
DISTRICT ENGINEER  
DATE

PROJECT TITLE  
**GOLDEN GATE SAUSALITO FERRY TERMINAL IMPROVEMENTS**

SHEET TITLE  
**DETAIL SITE LAYOUT  
2 OF 2**



ORIGINAL SCALE IN INCHES FOR REDUCED PLANS

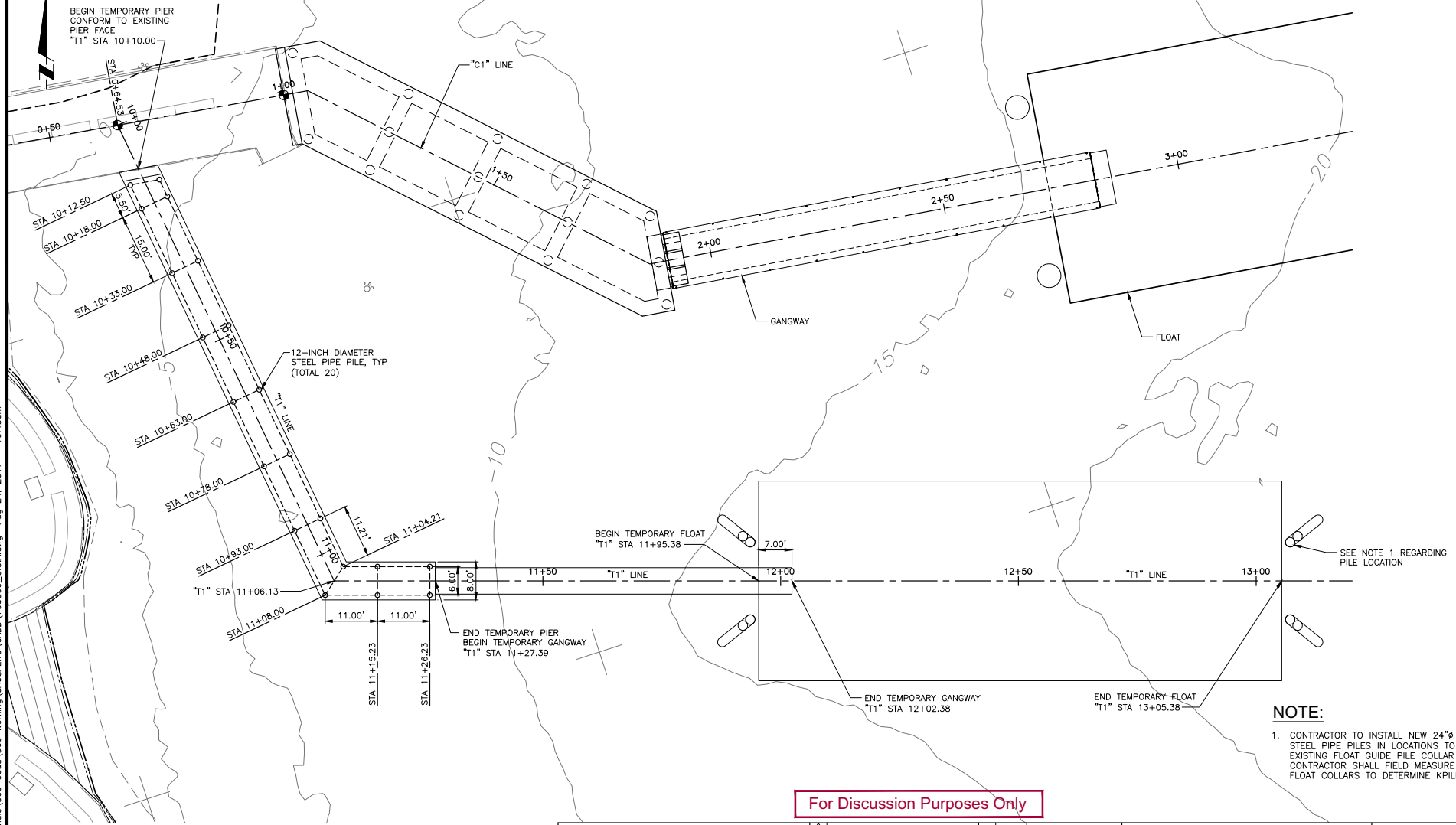
0	1	2	3
---	---	---	---

IF SHEET IS LESS THAN 22" x 34" IT IS A REDUCED PRINT - SCALE REDUCED ACCORDINGLY.

CONTRACT NO. 2011-B-2  
CADD FILE 703800\_C.3.dwg

# NO BELVEDERES ALTERNATIVE

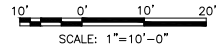
REV. NO.	SHEET NO.	TOTAL SHEETS
---	---	---



**NOTE:**  
 1. CONTRACTOR TO INSTALL NEW 24"ø x 1/2" STEEL PIPE PILES IN LOCATIONS TO MATCH EXISTING FLOAT GUIDE PILE COLLAR LOCATIONS. CONTRACTOR SHALL FIELD MEASURE EXISTING FLOAT COLLARS TO DETERMINE KPILE LOCATIONS.

For Discussion Purposes Only

GOLDEN GATE BRIDGE  
 HIGHWAY & TRANSPORTATION DISTRICT  
 BOX 9000, PRESIDIO STATION  
 SAN FRANCISCO, CA 94129



APN 065-073-05 AND APN 065-133-22

DESIGN	BY NN	CHECKED BJ	BO JENSEN PROJECT MANAGER
DRAWN	BY NN/TE	CHECKED	
QUANTITIES	BY	CHECKED	

**moffatt & nichol**  
 2185 N. California Blvd., Suite 500  
 Walnut Creek, CA 94596

REGISTERED CIVIL ENGINEER  
 08-18-2017  
 PLANS APPROVAL DATE

NO.	REVISIONS	BY	DATE

APPROVED BY  
  
 DISTRICT ENGINEER  
 DATE

PROJECT TITLE  
**GOLDEN GATE SAUSALITO FERRY TERMINAL IMPROVEMENTS**

SHEET TITLE  
**DETAIL SITE LAYOUT 2 OF 2**  
**NO BELVEDERES ALTERNATIVE**

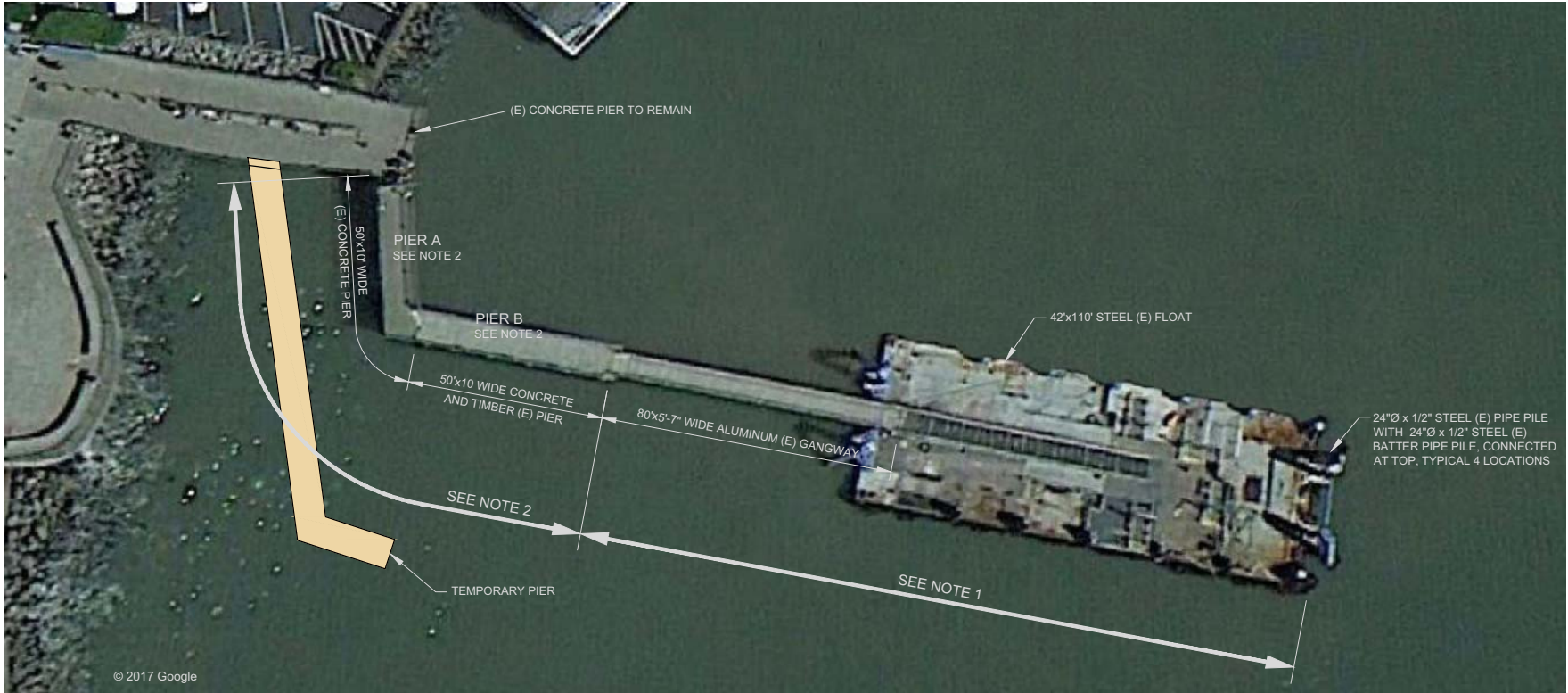


P:\7038\_GGBD\_Ferry\_Terminals\600\_Cadd\660\_Working\SAUSALITO\CADD\703800\_C3A.dwg Aug 24, 2017 10:45am

ORIGINAL SCALE IN INCHES FOR REDUCED PLANS

IF SHEET IS LESS THAN 22" x 34" IT IS A REDUCED PRINT - SCALE REDUCED ACCORDINGLY.

REV. NO.	SHEET NO.	TOTAL SHEETS
---	---	---



NOT TO SCALE

**NOTES:**

1. EXISTING ALUMINUM GANGWAY, AND STEEL FLOAT, TO BE RELOCATED BY CONTRACTOR. ALL PILES TO BE COMPLETELY REMOVED FOR FULL LENGTH. IF PILE CANNOT BE REMOVED FULL LENGTH, CUT PILE MINIMUM 2 FEET BELOW MUDLINE.
2. DEMOLISH AND REMOVE EXISTING PIER A, AND PIER B. SAW CUT PIER AT EXISTING PIER TO REMAIN AND CAP EXISTING UTILITIES. ALL PILES TO BE REMOVED FULL LENGTH. IF PILE CANNOT BE REMOVED FULL LENGTH, CUT PILE MINIMUM 2 FEET BELOW MUDLINE.
3. REFERENCE DRAWINGS OF THE EXISTING STRUCTURES AND UTILITIES TO BE REMOVED ARE AVAILABLE AND SHALL BE USED BY THE CONTRACTOR FOR SPECIFIC DETAILS REGARDING THESE FACILITIES.

For Discussion Purposes Only

GOLDEN GATE BRIDGE  
HIGHWAY & TRANSPORTATION DISTRICT  
BOX 9000, PRESIDIO STATION  
SAN FRANCISCO, CA 94129

APN 065-073-05 AND APN 065-133-22

DESIGN	BY BJ	CHECKED BJ	BO JENSEN PROJECT MANAGER
DRAWN	BY TE	CHECKED	
QUANTITIES	BY	CHECKED	

**moffatt & nichol**  
2185 N. California Blvd., Suite 500  
Walnut Creek, CA 94596

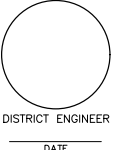
REGISTERED CIVIL ENGINEER  
08-18-2017  
PLANS APPROVAL DATE

NO.	REVISIONS	BY	DATE

CONTRACT NO. 2011-B-2  
CADD FILE 703800\_C.4.dwg

DRAWING NO. C.4

APPROVED BY



DISTRICT ENGINEER

DATE

PROJECT TITLE  
**GOLDEN GATE SAUSALITO FERRY TERMINAL IMPROVEMENTS**

SHEET TITLE  
**DEMOLITION PLAN**

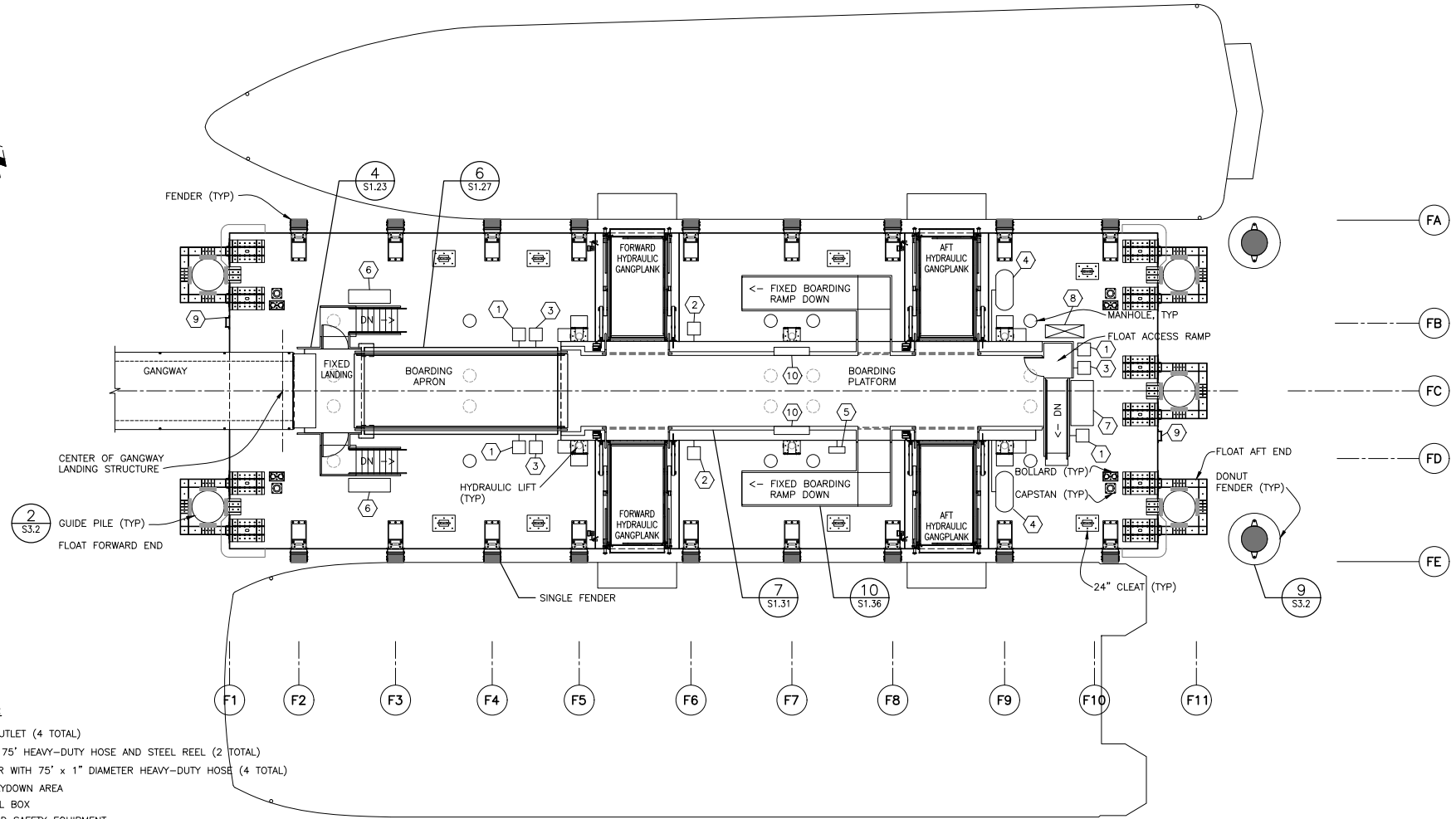


P:\7038 GGBD Ferry Terminals\500 Cadd\560 Working\SAUSALITO\CADD\703800\_C.4.dwg Aug 24, 2017 - 10:49am

ORIGINAL SCALE IN INCHES FOR REDUCED PLANS  
0 1 2 3

IF SHEET IS LESS THAN 22" x 34" IT IS A REDUCED PRINT - SCALE REDUCED ACCORDINGLY.

REV. NO.	SHEET NO.	TOTAL SHEETS

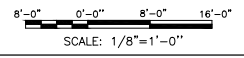


**SPECIFIC NOTES:**

- 1 SHORE POWER OUTLET (4 TOTAL)
- 2 HOSE BIBB WITH 75' HEAVY-DUTY HOSE AND STEEL REEL (2 TOTAL)
- 3 WASHDOWN WATER WITH 75' x 1" DIAMETER HEAVY-DUTY HOSE (4 TOTAL)
- 4 SEWAGE HOSE LAYDOWN AREA
- 5 ELECTRICAL PANEL BOX
- 6 STORAGE BOX AND SAFETY EQUIPMENT
- 7 HYDRAULIC POWER UNIT (HPU)
- 8 HYDRAULIC ELECTRICAL CONTROL CABINET (ECC)
- 9 SAFETY LADDER (2 TOTAL)
- 10 STORAGE CABINET (2 TOTAL)

**FLOAT DECK LAYOUT PLAN**  
SCALE: 1/8" = 1'-0"

For Discussion Purposes Only



GOLDEN GATE BRIDGE  
HIGHWAY & TRANSPORTATION DISTRICT  
BOX 9000, PRESIDIO STATION  
SAN FRANCISCO, CA 94129

DESIGN	BY M/JW	CHECKED BJ	BO JENSEN PROJECT MANAGER
DRAWN	BY TE	CHECKED	
QUANTITIES	BY	CHECKED	

**moffatt & nichol**  
2185 N. California Blvd., Suite 500  
Walnut Creek, CA 94596

REGISTERED CIVIL ENGINEER  
08-18-2017  
PLANS APPROVAL DATE

NO.	REVISIONS	BY	DATE

CONTRACT NO. 2011-B-2  
CADD FILE 703800\_S1.1.dwg

APPROVED BY  
  
DISTRICT ENGINEER  
DATE

PROJECT TITLE  
**GOLDEN GATE SAUSALITO FERRY TERMINAL IMPROVEMENTS**

SHEET TITLE  
**FLOAT DECK LAYOUT PLAN**



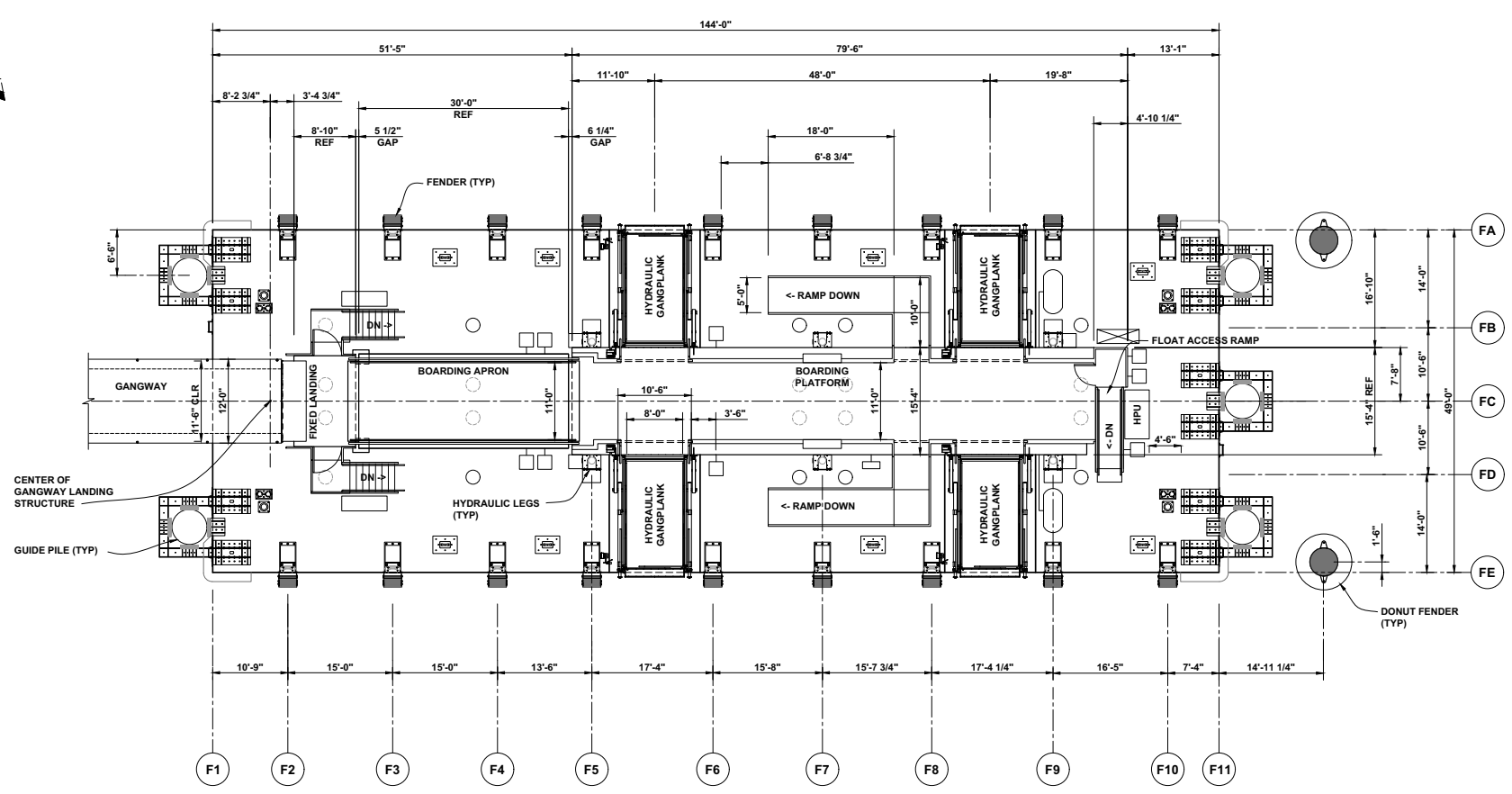
P:\7038 GGBD Ferry Terminals\600 Cadd\600 Working\SAUSALITO\CADD\703800\_S1.1.dwg Aug 24, 2017 - 10:52am

APN 065-073-05 AND APN 065-133-22

ORIGINAL SCALE IN INCHES	0	1	2	3
FOR REDUCED PLANS				

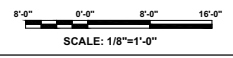
IF SHEET IS LESS THAN 22" x 34" IT IS A REDUCED PRINT - SCALE REDUCED ACCORDINGLY.

REV. NO.	SHEET NO.	TOTAL SHEETS
###	###	###



**FLOAT DIMENSION PLAN**  
SCALE: 1/8" = 1'-0"

For Discussion Purposes Only



GOLDEN GATE BRIDGE  
HIGHWAY & TRANSPORTATION DISTRICT  
BOX 9000, PRESIDIO STATION  
SAN FRANCISCO, CA 94129

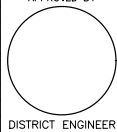
APN 065-073-05 AND APN 065-133-22

DESIGN	BY NN	CHECKED BJ	BO JENSEN PROJECT MANAGER
DRAWN	BY NN	CHECKED	
QUANTITIES	BY	CHECKED	

**moffatt & nichol**  
2185 N. California Blvd., Suite 500  
Walnut Creek, CA 94596

REGISTERED CIVIL ENGINEER  
08-28-2017  
PLANS APPROVAL DATE

NO. REVISIONS	BY	DATE
CONTRACT NO. 2011-B-2	DRAWING NO. S1.2	DATE
CADD FILE 703800_S1.2.dwg		

APPROVED BY  
  
DISTRICT ENGINEER  
DATE

PROJECT TITLE  
**GOLDEN GATE SAUSALITO FERRY TERMINAL IMPROVEMENTS**

SHEET TITLE  
**144 FT X 49 FT  
FLOAT DIMENSION  
PLAN**



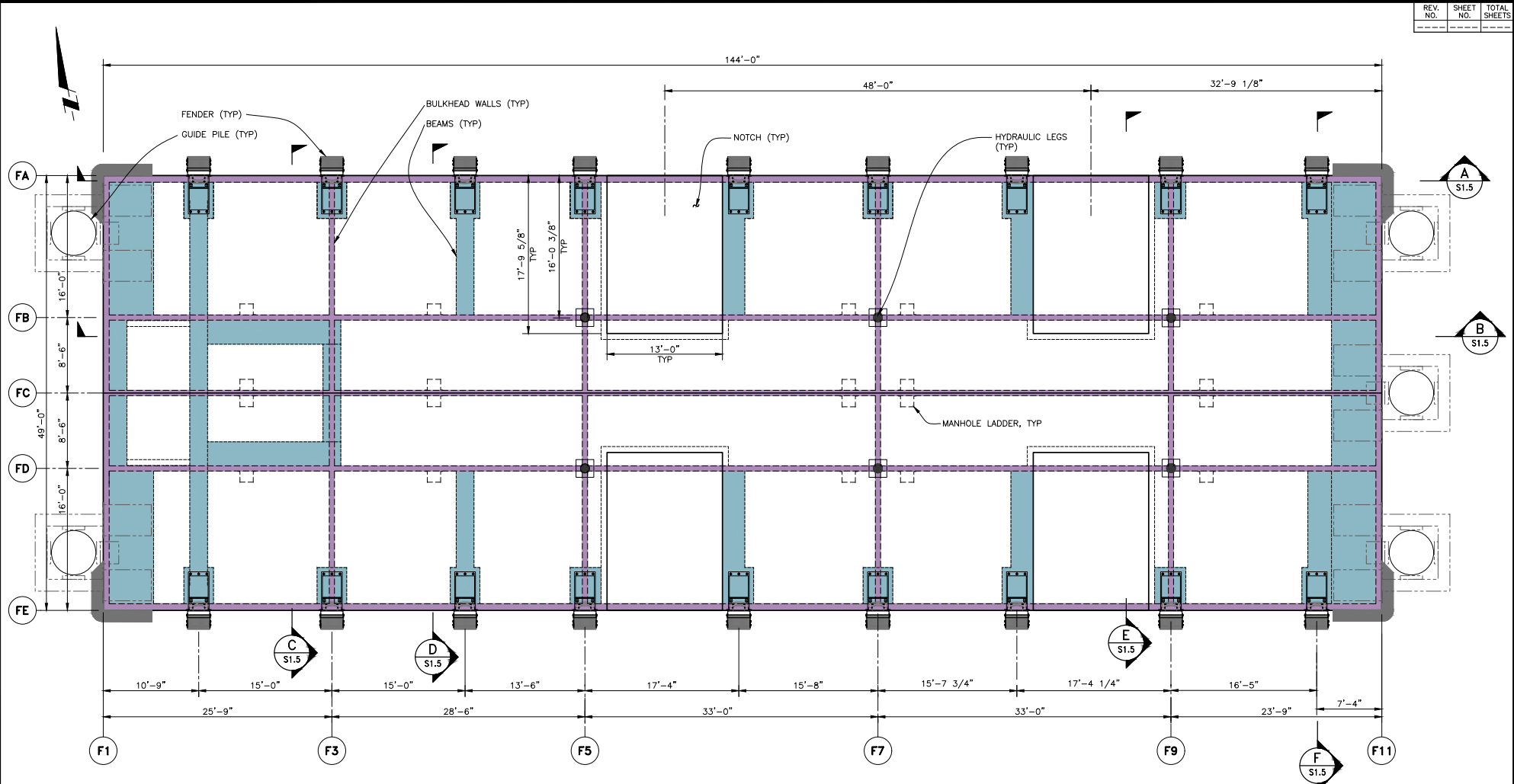
P:\7038 GGBD Ferry Terminal\600 Cadd\600 Working\SAUSALITO\CADD\703800\_S1.2.dwg Aug 28, 2017 - 9:31am

ORIGINAL SCALE IN INCHES FOR REDUCED PLANS

0	1	2	3
---	---	---	---

IF SHEET IS LESS THAN 22" x 34" IT IS A REDUCED PRINT - SCALE REDUCED ACCORDINGLY.

REV. NO.	SHEET NO.	TOTAL SHEETS

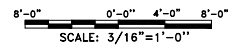


- LEGEND:**
- WALL BELOW DECK
  - BEAM BELOW DECK
  - CURB BELOW
  - FENDER

**FLOAT STRUCTURAL ARRANGEMENT PLAN**

SCALE: 3/16" = 1'-0"

For Discussion Purposes Only



GOLDEN GATE BRIDGE  
HIGHWAY & TRANSPORTATION DISTRICT  
BOX 9000, PRESIDIO STATION  
SAN FRANCISCO, CA 94129

APN 065-073-05 AND APN 065-133-22

DESIGN	BY MP	CHECKED BJ	BO JENSEN PROJECT MANAGER
DRAWN	BY TE/AIB	CHECKED	
QUANTITIES	BY	CHECKED	

**moffatt & nichol**  
2185 N. California Blvd., Suite 500  
Walnut Creek, CA 94596

REGISTERED CIVIL ENGINEER  
08-18-2017  
PLANS APPROVAL DATE

NO.	REVISIONS	BY	DATE

APPROVED BY  
  
DISTRICT ENGINEER  
DATE

PROJECT TITLE  
**GOLDEN GATE SAUSALITO FERRY TERMINAL IMPROVEMENTS**

SHEET TITLE  
**FLOAT STRUCTURAL ARRANGEMENT PLAN**



P:\7038 GGBD Ferry Terminals\600 Cadd\600 Working\SAUSALITO\CADD\703800\_S1.4.dwg Aug 25, 2017 - 12:46pm

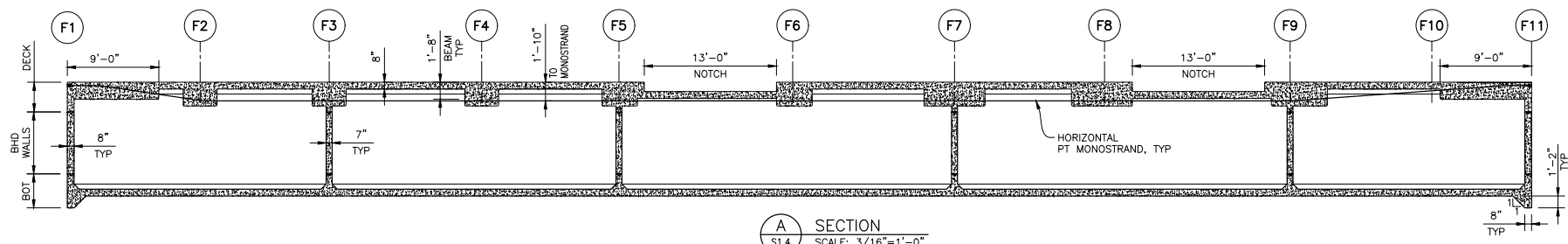
ORIGINAL SCALE IN INCHES  
FOR REDUCED PLANS

IF SHEET IS LESS THAN 22" x 34" IT IS A  
REDUCED PRINT - SCALE REDUCED ACCORDINGLY.

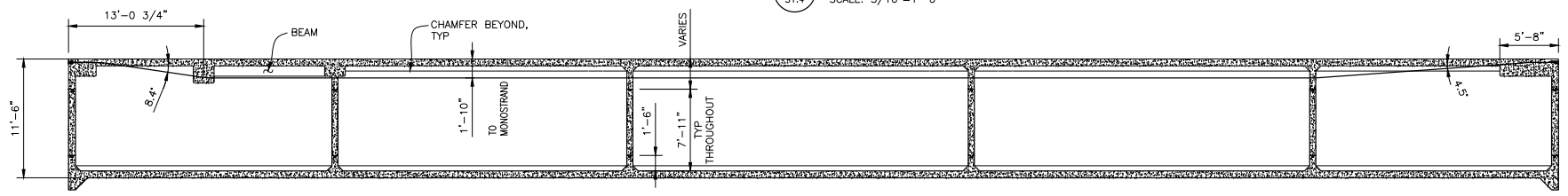


P:\7038 GGBD Ferry Terminal\600 Cadd\600 Working\SAUSALITO\CADD\703800\_S1.5.dwg Aug 25, 2017 12:48pm

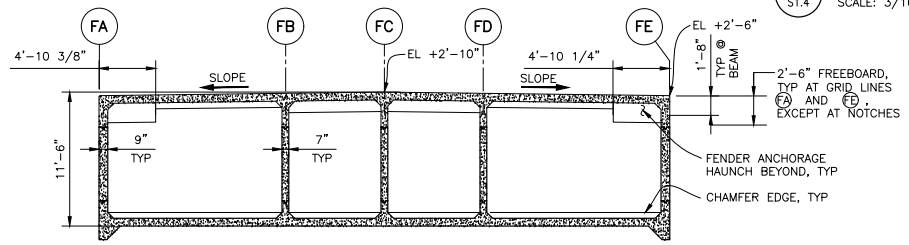
REV. NO.	SHEET NO.	TOTAL SHEETS



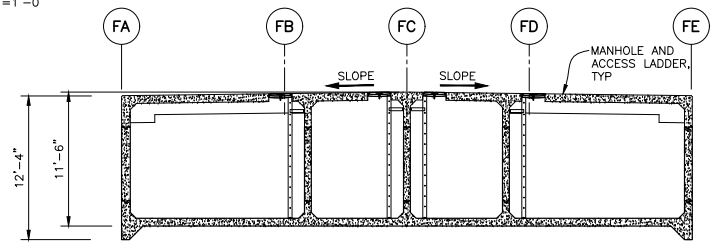
**A SECTION**  
S1.4 SCALE: 3/16"=1'-0"



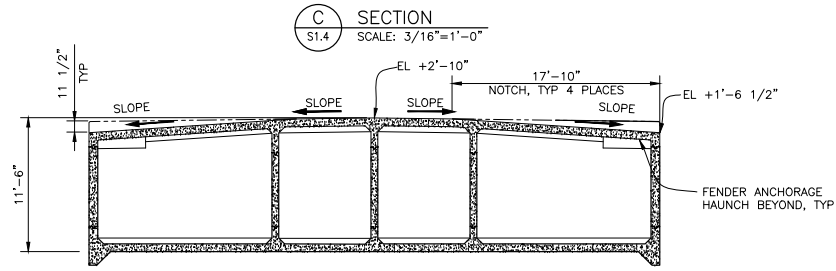
**B SECTION**  
S1.4 SCALE: 3/16"=1'-0"



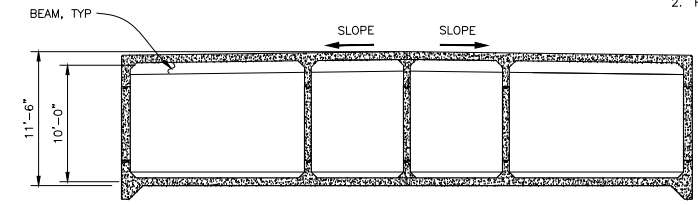
**C SECTION**  
S1.4 SCALE: 3/16"=1'-0"



**D SECTION**  
S1.4 SCALE: 3/16"=1'-0"



**E SECTION**  
S1.4 SCALE: 3/16"=1'-0"

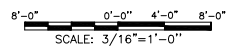


**F SECTION**  
S1.4 SCALE: 3/16"=1'-0"

- NOTES:**
1. REINFORCING NOT SHOWN.
  2. FENDERS NOT SHOWN.

For Discussion Purposes Only

GOLDEN GATE BRIDGE  
HIGHWAY & TRANSPORTATION DISTRICT  
BOX 9000, PRESIDIO STATION  
SAN FRANCISCO, CA 94129



**moffatt & nichol**  
2185 N. California Blvd., Suite 500  
Walnut Creek, CA 94596

REGISTERED CIVIL ENGINEER  
08-18-2017  
PLANS APPROVAL DATE

DESIGN	BY MP	CHECKED BJ	BO JENSEN PROJECT MANAGER
DRAWN	BY TE	CHECKED	
QUANTITIES	BY	CHECKED	

APN 065-073-05 AND APN 065-133-22

ORIGINAL SCALE IN INCHES	0	1	2	3
FOR REDUCED PLANS				

IF SHEET IS LESS THAN 22" x 34" IT IS A REDUCED PRINT - SCALE REDUCED ACCORDINGLY.

NO. REVISIONS	BY	DATE
CONTRACT NO. 2011-B-2	DRAWING NO. S1.5	DATE
CADD FILE 703800_S1.5.dwg		

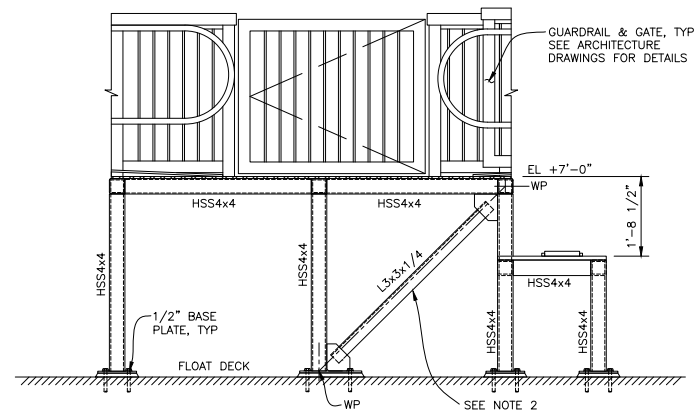
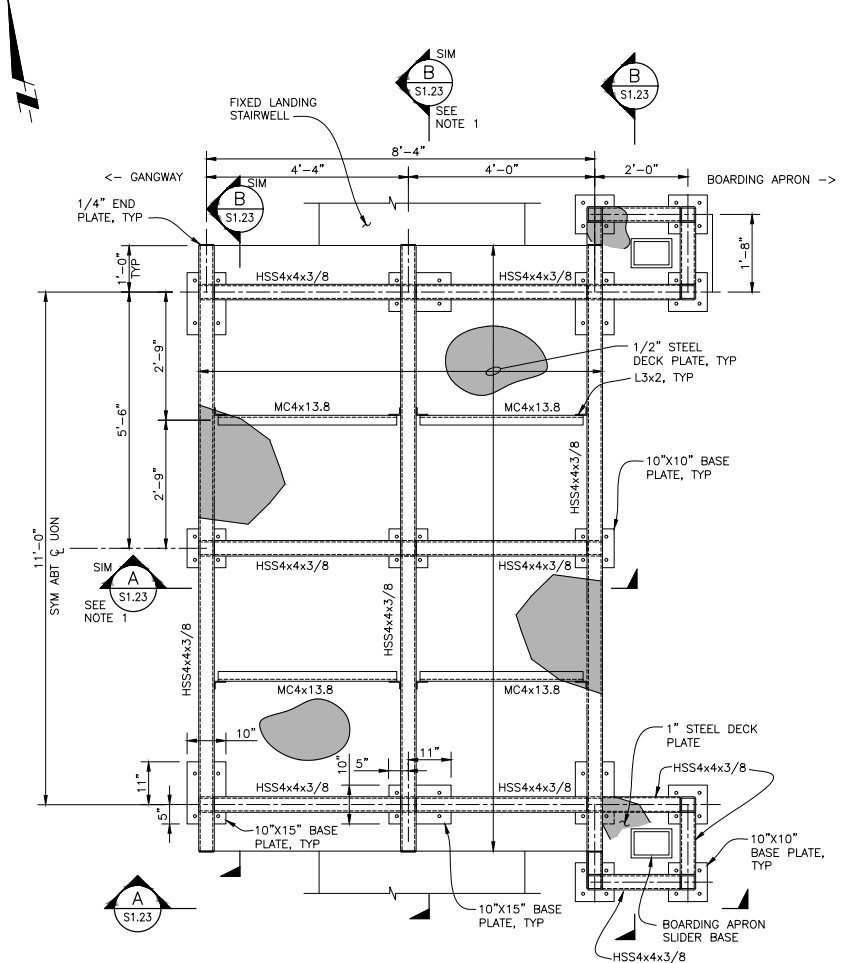
APPROVED BY  
  
DISTRICT ENGINEER

PROJECT TITLE  
**GOLDEN GATE SAUSALITO FERRY TERMINAL IMPROVEMENTS**

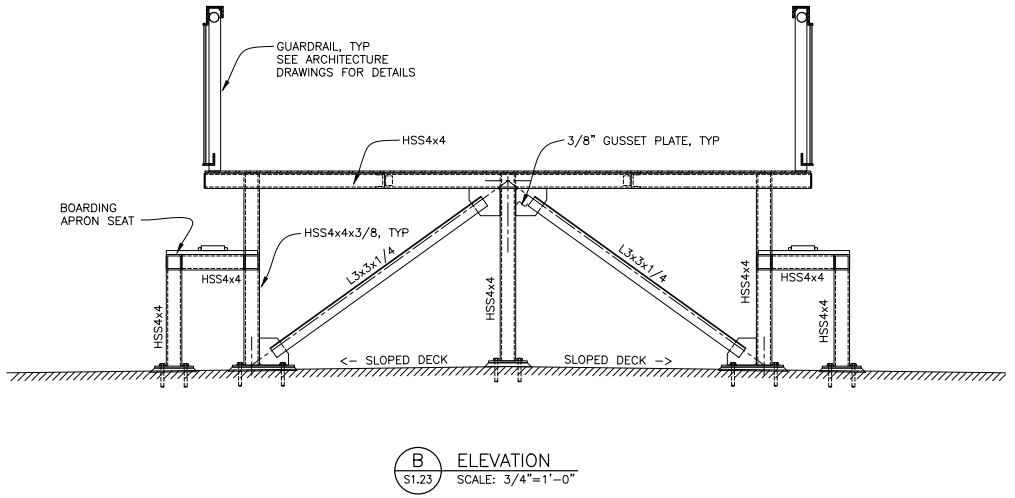
SHEET TITLE  
**FLOAT LONGITUDINAL & TRANSVERSE SECTIONS**



REV. NO.	SHEET NO.	TOTAL SHEETS

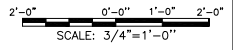


- NOTES:
- SECTION DOES NOT HAVE A DIAGONAL BRACE.
  - FLANGE OF L3x3x1/4 ANGLE SHALL POINT AWAY FROM THE EDGE OF THE FLOAT.
  - ELEVATIONS ARE REFERENCED TO TOP OF WATER SURFACE.



For Discussion Purposes Only

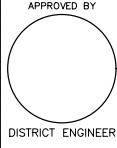
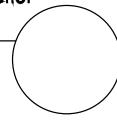
GOLDEN GATE BRIDGE  
HIGHWAY & TRANSPORTATION DISTRICT  
BOX 9000, PRESIDIO STATION  
SAN FRANCISCO, CA 94129



DESIGN	BY M/JW	CHECKED BJ	BO JENSEN PROJECT MANAGER
DRAWN	BY A/IB	CHECKED	
QUANTITIES	BY	CHECKED	

2185 N. California Blvd., Suite 500  
Walnut Creek, CA 94596

REGISTERED CIVIL ENGINEER  
08-18-2017  
PLANS APPROVAL DATE



APPROVED BY  
PROJECT TITLE  
GOLDEN GATE SAUSALITO FERRY TERMINAL IMPROVEMENTS

SHEET TITLE  
FLOAT FIXED LANDING PLAN, ELEVATION & SECTION



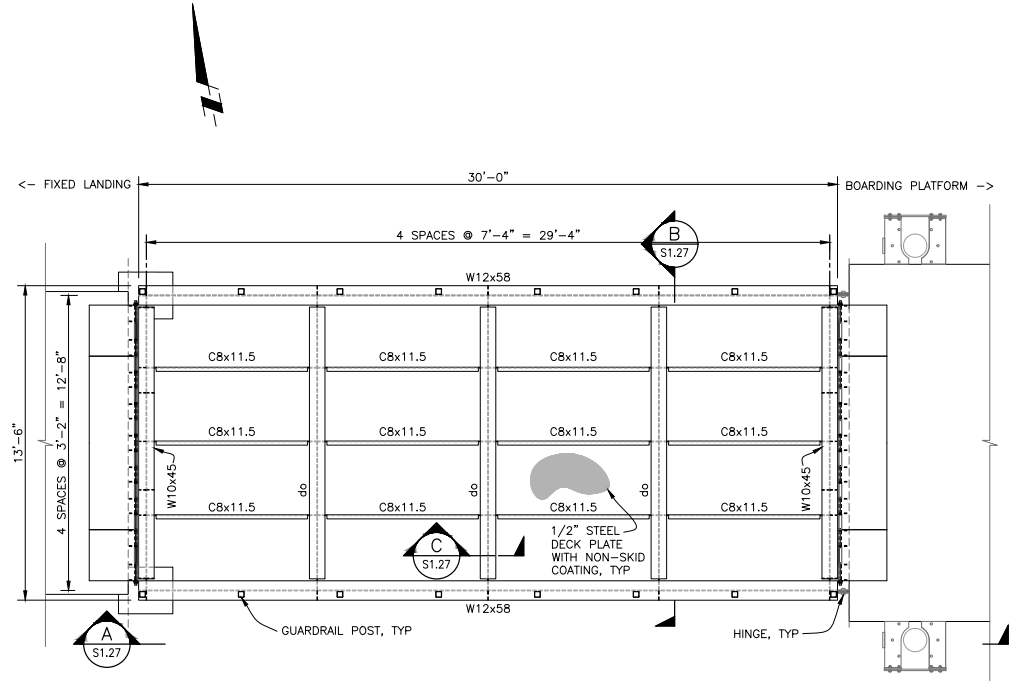
APN 065-073-05 AND APN 065-133-22

IF SHEET IS LESS THAN 22" x 34" IT IS A REDUCED PRINT - SCALE REDUCED ACCORDINGLY.

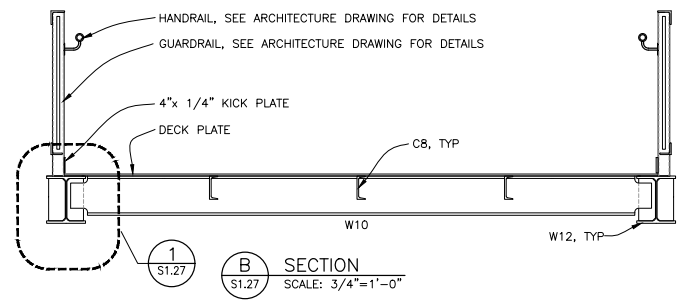
NO. REVISIONS	BY	DATE
CONTRACT NO. 2011-B-2	DISTRICT ENGINEER	DATE
CADD FILE 703800_S1.23.dwg	S1.23	

P:\7038\_GGBD\_Ferry\_Terminals\600\_Cadd\660\_Working\SAUSALITO\CADD\703800\_S1.23.dwg Aug 24, 2017 - 11:03am

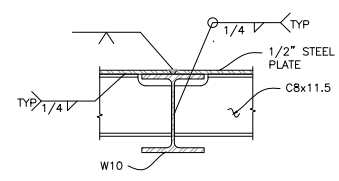
REV. NO.	SHEET NO.	TOTAL SHEETS



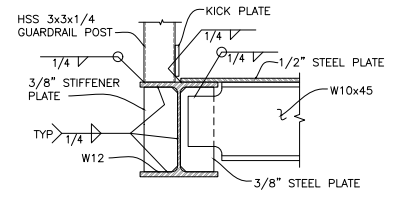
**6** BOARDING APRON FRAMING PLAN  
S1.1 SCALE: 3/8"=1'-0"



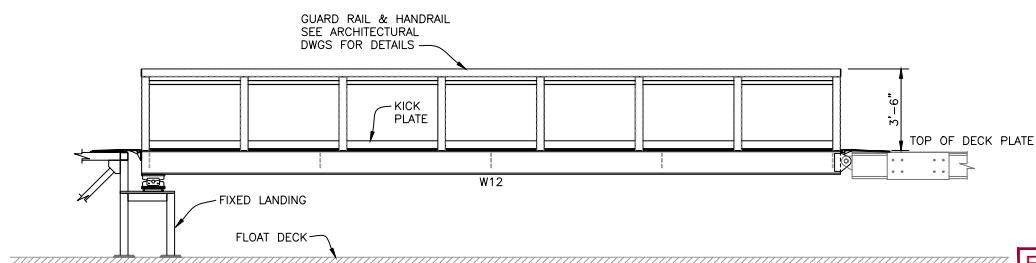
**B** SECTION  
S1.27 SCALE: 3/4"=1'-0"



**C** SECTION  
S1.27 SCALE: 1 1/2"=1'-0"

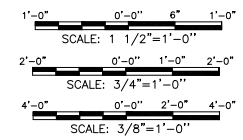


**1** DETAIL  
S1.27 SCALE: 1 1/2"=1'-0"



**A** ELEVATION  
S1.27 SCALE: 3/8"=1'-0"

For Discussion Purposes Only



GOLDEN GATE BRIDGE  
HIGHWAY & TRANSPORTATION DISTRICT  
BOX 9000, PRESIDIO STATION  
SAN FRANCISCO, CA 94129

DESIGN	BY MJW	CHECKED BJ	BO JENSEN PROJECT MANAGER
DRAWN	BY AIB	CHECKED	
QUANTITIES	BY	CHECKED	

**moffatt & nichol**  
2185 N. California Blvd., Suite 500  
Walnut Creek, CA 94596

REGISTERED CIVIL ENGINEER  
08-18-2017  
PLANS APPROVAL DATE

NO.	REVISIONS	BY	DATE

CONTRACT NO. 2011-B-2  
CADD FILE 703800\_S1.27.dwg  
DRAWING NO. **S1.27**

APPROVED BY  
DISTRICT ENGINEER  
DATE

PROJECT TITLE  
**GOLDEN GATE SAUSALITO FERRY TERMINAL IMPROVEMENTS**

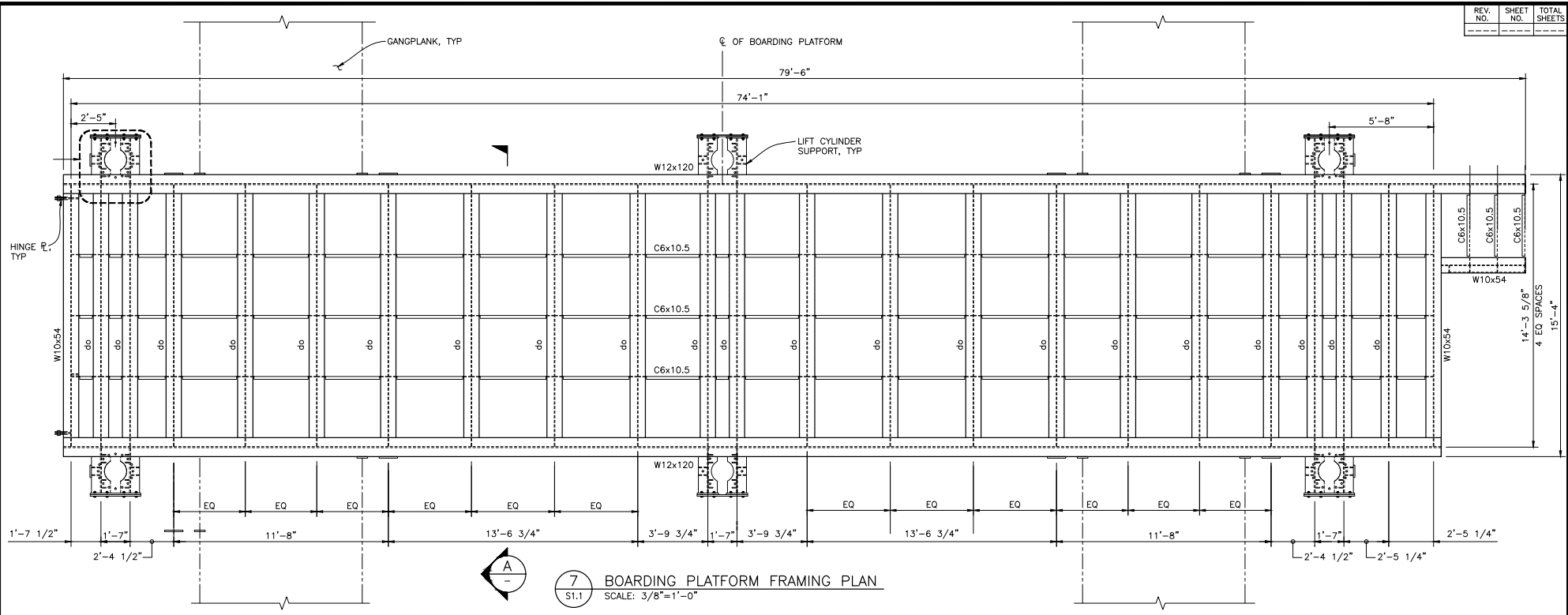
SHEET TITLE  
**FLOAT BOARDING APRON PLAN, ELEVATION & SECTION**



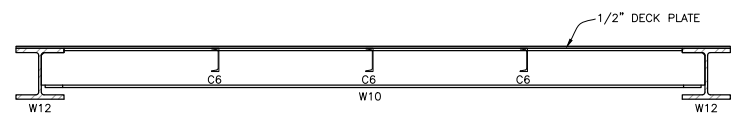
P:\7038\_GGBD\_Ferry\_Terminals\600\_Cadd\600\_Working\SAUSALITO\CADD\703800\_S1.27.dwg Aug 24, 2017 - 11:04am

ORIGINAL SCALE IN INCHES FOR REDUCED PLANS 0 1 2 3  
IF SHEET IS LESS THAN 22" x 34" IT IS A REDUCED PRINT - SCALE REDUCED ACCORDINGLY.

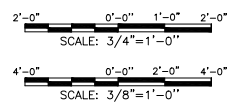
REV. NO.	SHEET NO.	TOTAL SHEETS



**7 BOARDING PLATFORM FRAMING PLAN**  
 S1.1 SCALE: 3/8"=1'-0"



**A SECTION**  
 S1.31 SCALE: 3/4"=1'-0"



For Discussion Purposes Only

GOLDEN GATE BRIDGE  
 HIGHWAY & TRANSPORTATION DISTRICT  
 BOX 9000, PRESIDIO STATION  
 SAN FRANCISCO, CA 94129

DESIGN	BY MJW	CHECKED BJ	BO JENSEN PROJECT MANAGER
DRAWN	BY AIB	CHECKED	
QUANTITIES	BY	CHECKED	

**moffatt & nichol**  
 2185 N. California Blvd., Suite 500  
 Walnut Creek, CA 94596

REGISTERED CIVIL ENGINEER  
 08-18-2017  
 PLANS APPROVAL DATE

NO.	REVISIONS	BY	DATE

APPROVED BY  
  
 DISTRICT ENGINEER  
 DATE

PROJECT TITLE  
**GOLDEN GATE SAUSALITO FERRY TERMINAL IMPROVEMENTS**

SHEET TITLE  
**FLOAT BOARDING PLATFORM PLAN & SECTION**

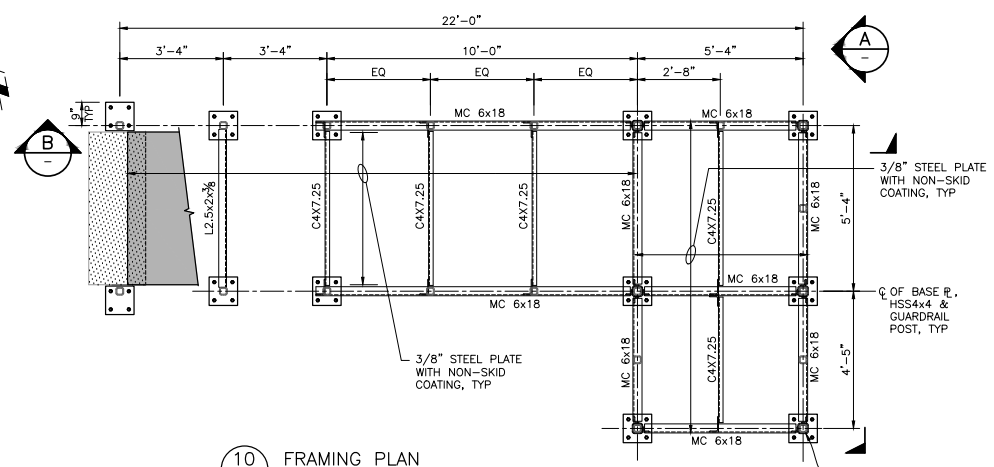


P:\7038 GGBD Ferry Terminals\600 Cadd\600 Working\SAUSALITO\CADD\703800\_S1.31.dwg Aug 24, 2017 - 11:05am

APN 065-073-05 AND APN 065-133-22  
 ORIGINAL SCALE IN INCHES FOR REDUCED PLANS

IF SHEET IS LESS THAN 22" x 34" IT IS A REDUCED PRINT - SCALE REDUCED ACCORDINGLY.

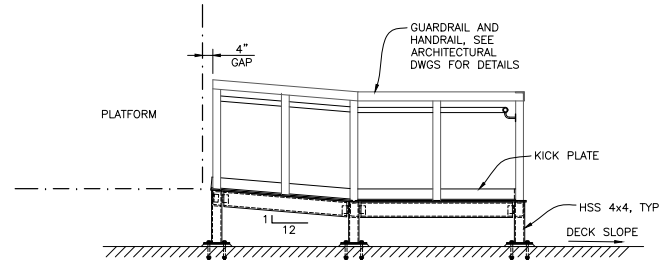
REV. NO.	SHEET NO.	TOTAL SHEETS



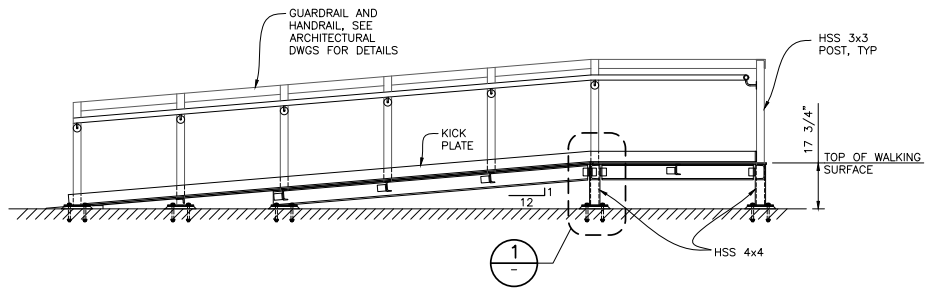
**10** FRAMING PLAN  
S1.1 SCALE: 1/2"=1'-0"

NOTE: KICK PLATE & GUARDRAIL NOT SHOWN FOR CLARITY.

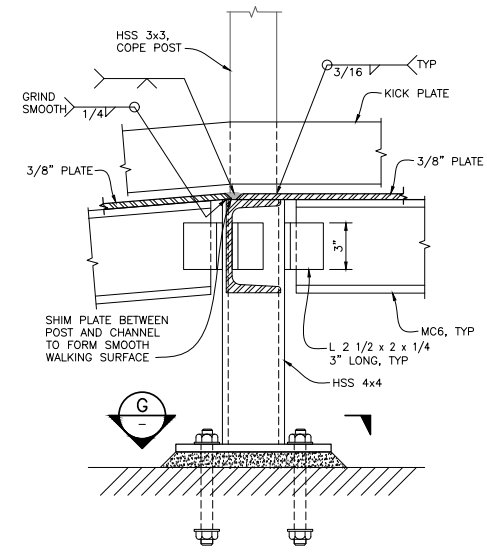
HSS 4x4x3/8, TYP BELOW DECK (6 TOTAL)



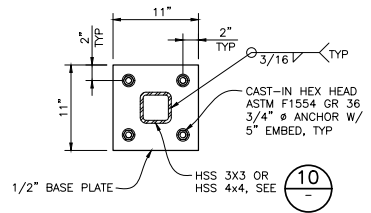
**A** SECTION  
S1.36 SCALE: 1/2"=1'-0"



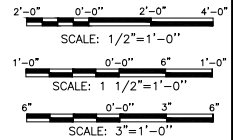
**B** SECTION  
S1.36 SCALE: 1/2"=1'-0"



**1** DETAIL  
SCALE: 3"=1'-0"



**G** TYPICAL SECTION  
SCALE: 1 1/2"=1'-0"



For Discussion Purposes Only

GOLDEN GATE BRIDGE  
HIGHWAY & TRANSPORTATION DISTRICT  
BOX 9000, PRESIDIO STATION  
SAN FRANCISCO, CA 94129

APN 065-073-05 AND APN 065-133-22

DESIGN	BY MP	CHECKED BJ	BO JENSEN PROJECT MANAGER
DRAWN	BY AIB	CHECKED	
QUANTITIES	BY	CHECKED	

**moffatt & nichol**  
2185 N. California Blvd., Suite 500  
Walnut Creek, CA 94596

REGISTERED CIVIL ENGINEER  
08-18-2017  
PLANS APPROVAL DATE

NO. REVISIONS	BY	DATE
CONTRACT NO. 2011-B-2	DRAWING NO.	
CADD FILE 703800_S1.36.dwg	<b>S1.36</b>	

APPROVED BY  
DISTRICT ENGINEER  
DATE

PROJECT TITLE  
**GOLDEN GATE SAUSALITO FERRY TERMINAL IMPROVEMENTS**

SHEET TITLE  
**FLOAT FIXED BOARDING RAMP SHEET 1**



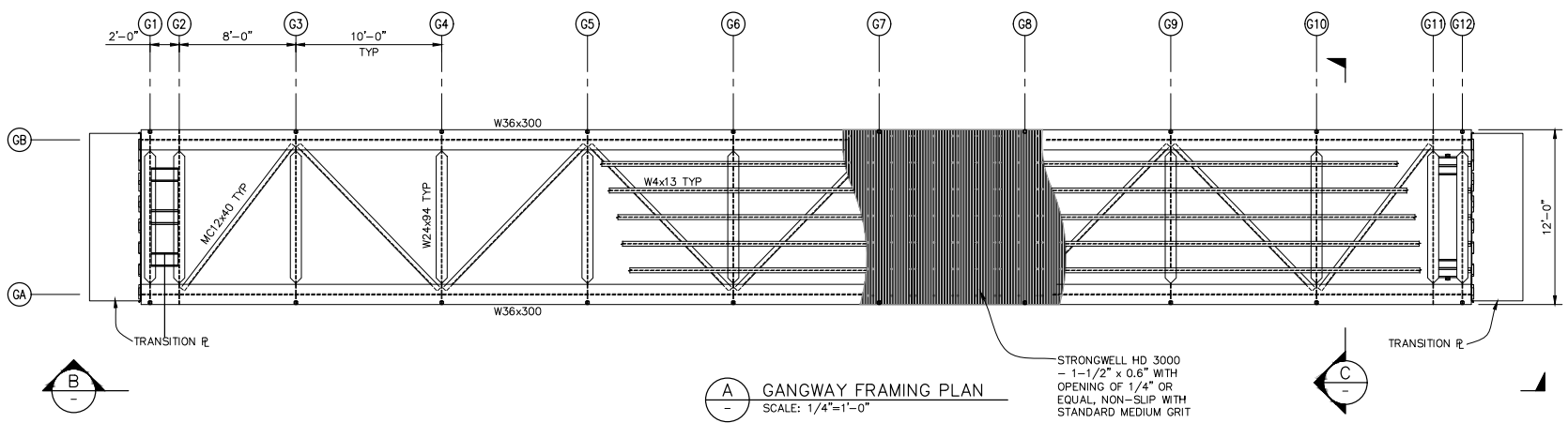
P:\7038 GGBD Ferry Terminal\600 Cadd\600 Working\SAUSALITO\CADD\703800\_S1.36.dwg Aug 24, 2017 - 2:46pm

ORIGINAL SCALE IN INCHES FOR REDUCED PLANS

0	1	2	3
---	---	---	---

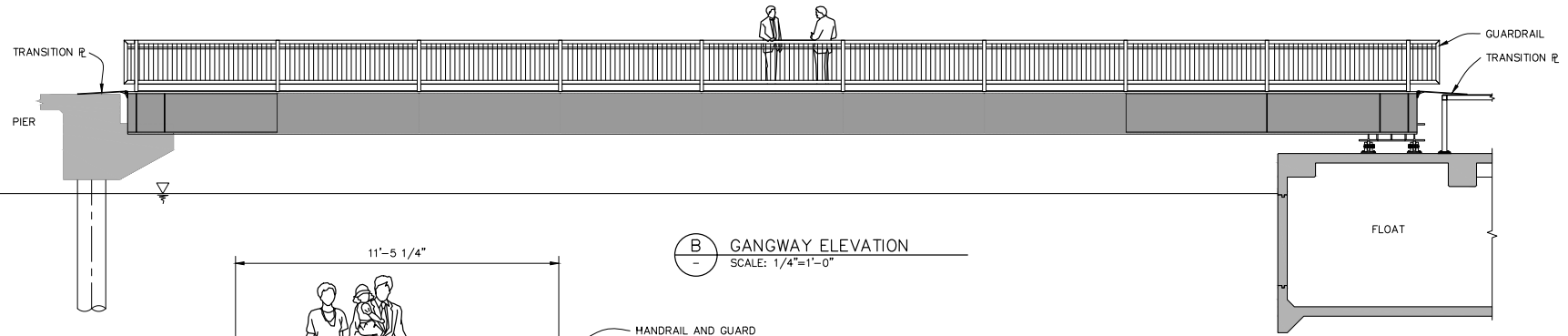
IF SHEET IS LESS THAN 22" x 34" IT IS A REDUCED PRINT - SCALE REDUCED ACCORDINGLY.

REV. NO.	SHEET NO.	TOTAL SHEETS

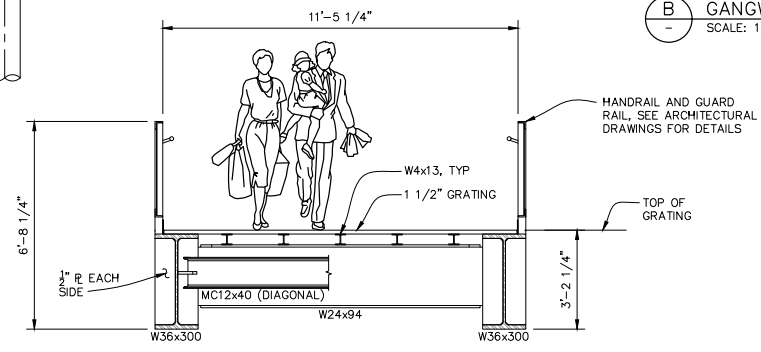


**(A) GANGWAY FRAMING PLAN**  
SCALE: 1/4"=1'-0"

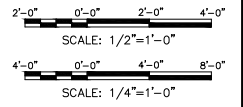
STRONGWELL HD 3000  
- 1-1/2" x 0.6" WITH  
OPENING OF 1/4" OR  
EQUAL, NON-SLIP WITH  
STANDARD MEDIUM GRIT



**(B) GANGWAY ELEVATION**  
SCALE: 1/4"=1'-0"



**(C) STEEL GIRDER CROSS SECTION**  
SCALE: 1/2"=1'-0"



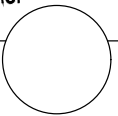
For Discussion Purposes Only

GOLDEN GATE BRIDGE  
HIGHWAY & TRANSPORTATION DISTRICT  
BOX 9000, PRESIDIO STATION  
SAN FRANCISCO, CA 94129

DESIGN	BY AB	CHECKED BJ	BO JENSEN PROJECT MANAGER
DRAWN	BY EBD	CHECKED	
QUANTITIES	BY	CHECKED	

**moffatt & nichol**  
2185 N. California Blvd., Suite 500  
Walnut Creek, CA 94596

REGISTERED CIVIL ENGINEER  
08-18-2017  
PLANS APPROVAL DATE



NO.	REVISIONS	BY	DATE

APPROVED BY  
  
DISTRICT ENGINEER  
DATE

PROJECT TITLE  
**GOLDEN GATE SAUSALITO FERRY TERMINAL IMPROVEMENTS**

SHEET TITLE  
**GANGWAY PLAN & ELEVATION**



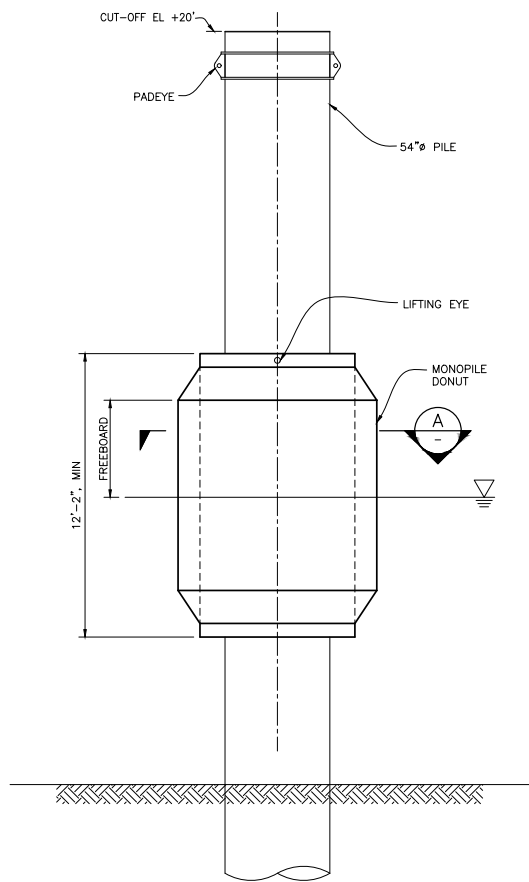
P:\7038 GGBD Ferry Terminal\600 Cadd\600 Working\SAUSALITO\CADD\703800\_S2.1.dwg Aug 24, 2017 - 11:07am

APN 065-073-05 AND APN 065-133-22

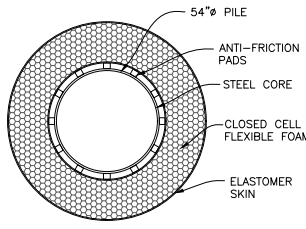
ORIGINAL SCALE IN INCHES FOR REDUCED PLANS

IF SHEET IS LESS THAN 22" x 34" IT IS A REDUCED PRINT - SCALE REDUCED ACCORDINGLY.

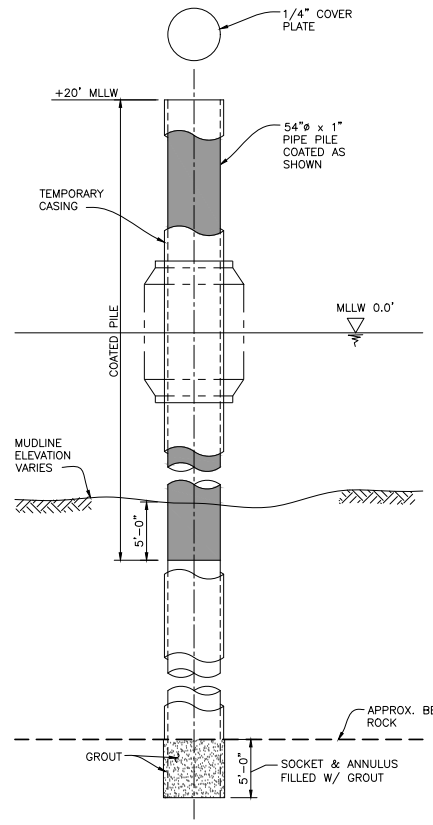
REV. NO.	SHEET NO.	TOTAL SHEETS
---	---	---



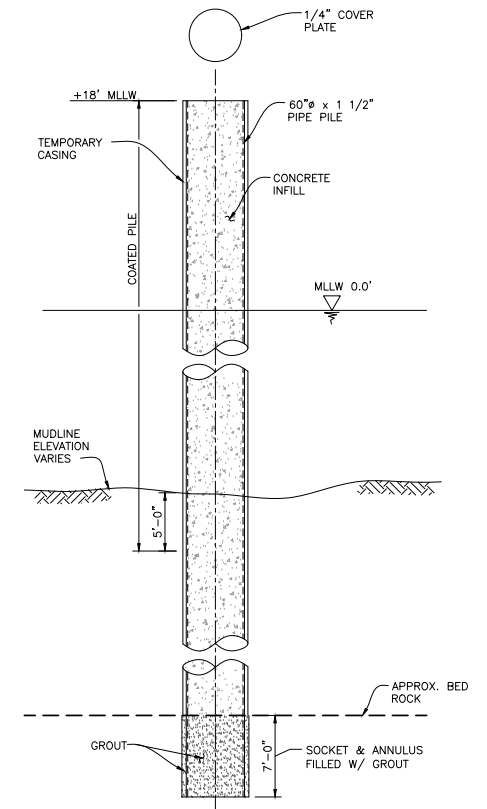
**9** DETAIL - DONUT FENDER  
S1.1 SCALE: 3/8"=1'-0"



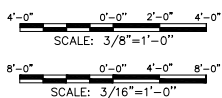
**A** SECTION  
SCALE: 3/8"=1'-0"



**1** ELEVATION - DONUT FENDER PILE  
SCALE: 3/16"=1'-0"



**2** ELEVATION - GUIDE PILE  
SCALE: 3/16"=1'-0"



GOLDEN GATE BRIDGE  
HIGHWAY & TRANSPORTATION DISTRICT  
BOX 9000, PRESIDIO STATION  
SAN FRANCISCO, CA 94129

APN 065-073-05 AND APN 065-133-22

DESIGN	BY AB	CHECKED BJ	BO JENSEN PROJECT MANAGER
DRAWN	BY AIB	CHECKED	
QUANTITIES	BY	CHECKED	

**moffatt & nichol**  
2185 N. California Blvd., Suite 500  
Walnut Creek, CA 94596

REGISTERED CIVIL ENGINEER  
08-18-2017  
PLANS APPROVAL DATE

For Discussion Purposes Only

NO.	REVISIONS	BY	DATE

APPROVED BY  
  
DISTRICT ENGINEER  
DATE

PROJECT TITLE  
**GOLDEN GATE SAUSALITO FERRY TERMINAL IMPROVEMENTS**

SHEET TITLE  
**GUIDE PILE & DONUT FENDER**

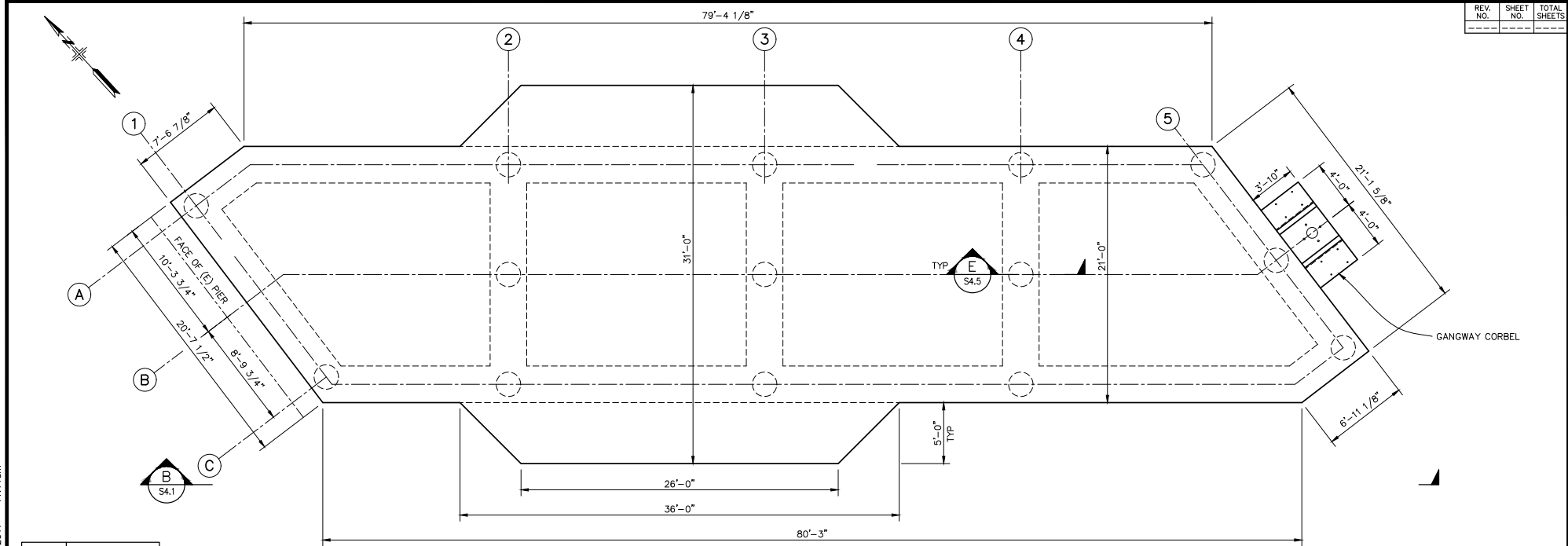


P:\7038 GGBD Ferry Terminal\600 Cadd\600 Working\SAUSALITO\CADD\703800\_S3.2.dwg Aug 24, 2017 - 3:24pm

ORIGINAL SCALE IN INCHES	0	1	2	3
FOR REDUCED PLANS				

IF SHEET IS LESS THAN 22" x 34" IT IS A REDUCED PRINT - SCALE REDUCED ACCORDINGLY.

REV. NO.	SHEET NO.	TOTAL SHEETS



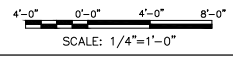
**A PLAN**  
SCALE: 1/4"=1'-0"

**B ELEVATION**  
SCALE: 1/4"=1'-0"

PILE	TIP ELEVATION* (ft)
1A	-65.00
1C	-65.00
2A	-65.00
2B	-65.00
2C	-65.00
3A	-65.00
3B	-65.00
3C	-65.00
4A	-65.00
4B	-65.00
4C	-65.00
5A	-65.00
5B	-65.00
5C	-65.00

\*DRIVE PILES TO THE TOP OF BEDROCK. BEDROCK ELEVATION TO BE FIELD VERIFIED.

For Discussion Purposes Only

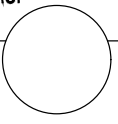


GOLDEN GATE BRIDGE  
HIGHWAY & TRANSPORTATION DISTRICT  
BOX 9000, PRESIDIO STATION  
SAN FRANCISCO, CA 94129

DESIGN	BY GD	CHECKED BJ	BO JENSEN PROJECT MANAGER
DRAWN	BY TE	CHECKED	
QUANTITIES	BY	CHECKED	

**moffatt & nichol**  
2185 N. California Blvd., Suite 500  
Walnut Creek, CA 94596

REGISTERED CIVIL ENGINEER  
08-18-2017  
PLANS APPROVAL DATE



NO. REVISIONS	BY	DATE	DISTRICT ENGINEER
CONTRACT NO. 2011-B-2	DRAWING NO. S4.1	DATE	
CADD FILE 703800_S4.1.dwg			

PROJECT TITLE  
**GOLDEN GATE SAUSALITO FERRY TERMINAL IMPROVEMENTS**

SHEET TITLE  
**ACCESS PIER PLAN & ELEVATION**



P:\7038 GGBD Ferry Terminal\600 Cadd\600 Working\SAUSALITO\CADD\703800\_S4.1.dwg Aug 24, 2017 - 11:11am

ORIGINAL SCALE IN INCHES FOR REDUCED PLANS

0	1	2	3
---	---	---	---

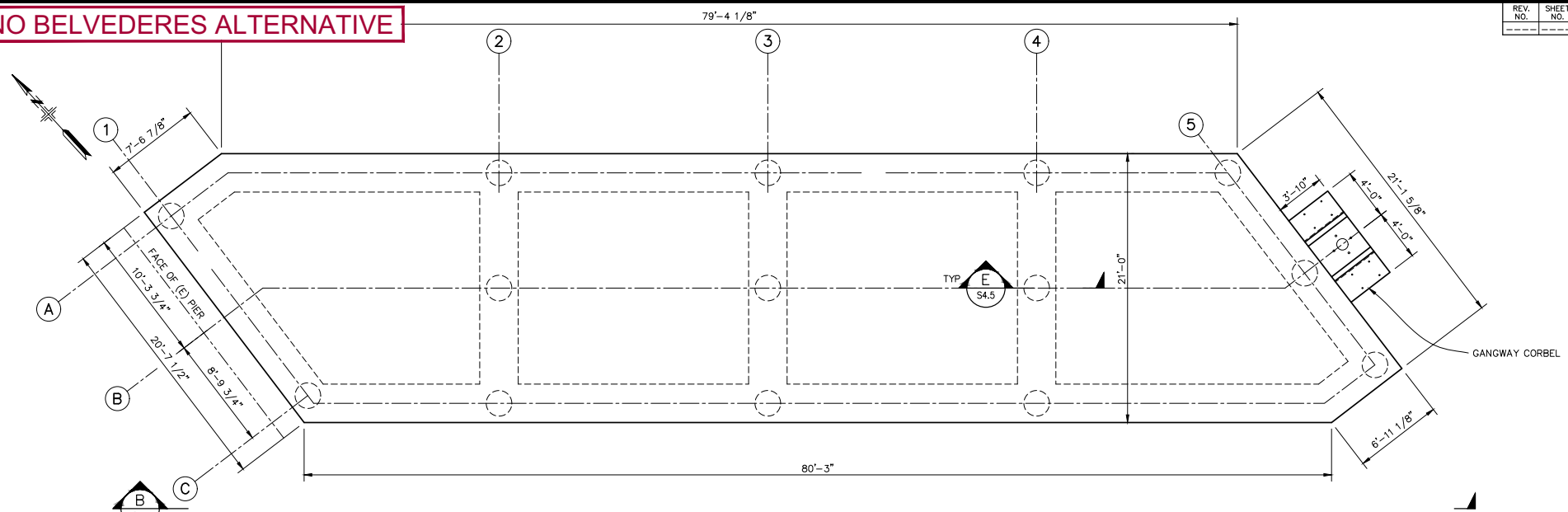
IF SHEET IS LESS THAN 22" x 34" IT IS A REDUCED PRINT - SCALE REDUCED ACCORDINGLY.

APN 065-073-05 AND APN 065-133-22



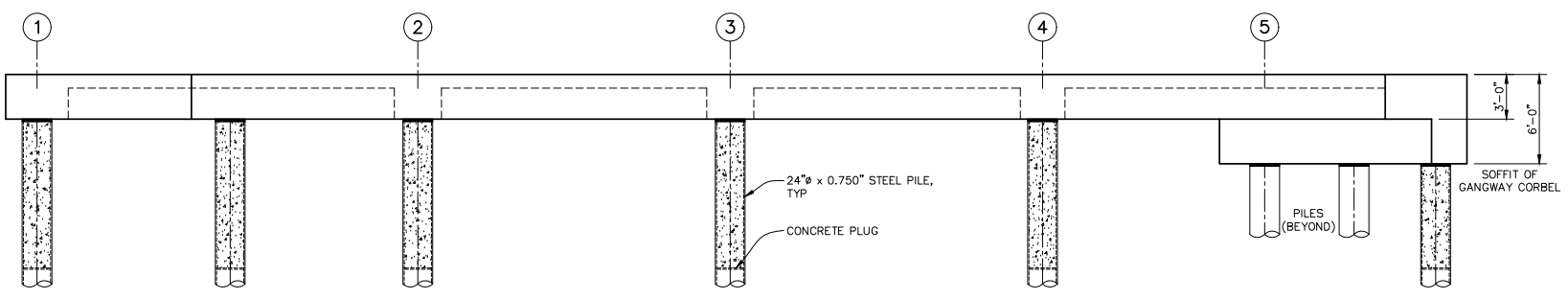
**NO BELVEDERES ALTERNATIVE**

REV. NO.	SHEET NO.	TOTAL SHEETS



**A PLAN**  
SCALE: 1/4"=1'-0"

PILE	TIP ELEVATION* (ft)
1A	-65.00
1C	-65.00
2A	-65.00
2B	-65.00
2C	-65.00
3A	-65.00
3B	-65.00
3C	-65.00
4A	-65.00
4B	-65.00
4C	-65.00
5A	-65.00
5B	-65.00
5C	-65.00



**B ELEVATION**  
SCALE: 1/4"=1'-0"

**For Discussion Purposes Only**

GOLDEN GATE BRIDGE  
HIGHWAY & TRANSPORTATION DISTRICT  
BOX 9000, PRESIDIO STATION  
SAN FRANCISCO, CA 94129

DESIGN	BY GD	CHECKED BJ	BO JENSEN PROJECT MANAGER
DRAWN	BY TE	CHECKED	
QUANTITIES	BY	CHECKED	

**moffatt & nichol**  
2185 N. California Blvd., Suite 500  
Walnut Creek, CA 94596

REGISTERED CIVIL ENGINEER  
08-28-2017  
PLANS APPROVAL DATE

NO. REVISIONS	BY	DATE	DISTRICT ENGINEER
CONTRACT NO. 2011-B-2			
CADD FILE 703800_S4.1.A.dwg	DRAWING NO.		
	<b>S4.1.A</b>		

PROJECT TITLE  
**GOLDEN GATE SAUSALITO FERRY TERMINAL IMPROVEMENTS**

SHEET TITLE  
**ACCESS PIER PLAN & ELEVATION  
NO BELVEDERES ALTERNATIVE**



P:\7038\_GGBD\_Ferry\_Terminals\500\_Cadd\560\_Working\SAUSALITO\CADD\703800\_S4.1.A.dwg Aug 28, 2017 - 10:08am

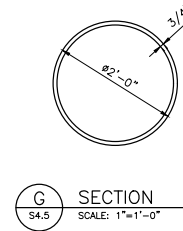
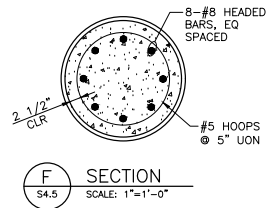
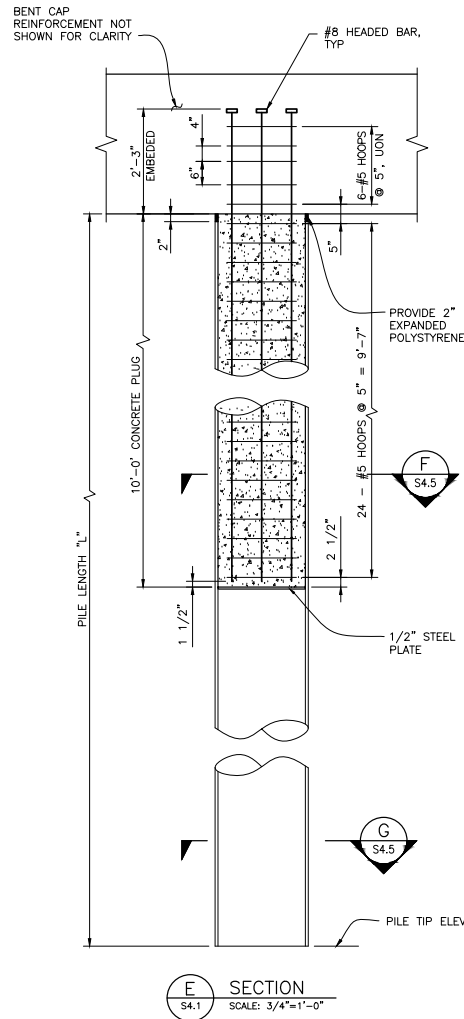
ORIGINAL SCALE IN INCHES FOR REDUCED PLANS

0	1	2	3
---	---	---	---

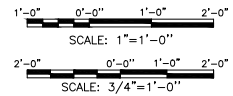
IF SHEET IS LESS THAN 22" x 34" IT IS A REDUCED PRINT - SCALE REDUCED ACCORDINGLY.

APN 065-073-05 AND APN 065-133-22

REV. NO.	SHEET NO.	TOTAL SHEETS
---	---	---



**E** SECTION  
S4.1 SCALE: 3/4"=1'-0"



For Discussion Purposes Only

GOLDEN GATE BRIDGE  
HIGHWAY & TRANSPORTATION DISTRICT  
BOX 9000, PRESIDIO STATION  
SAN FRANCISCO, CA 94129

APN 065-073-05 AND APN 065-133-22

DESIGN	BY GD	CHECKED BJ	BO JENSEN PROJECT MANAGER
DRAWN	BY AIB/TE	CHECKED	
QUANTITIES	BY	CHECKED	

**moffatt & nichol**  
2185 N. California Blvd., Suite 500  
Walnut Creek, CA 94596  
REGISTERED CIVIL ENGINEER  
08-18-2017  
PLANS APPROVAL DATE

NO.	REVISIONS	BY	DATE

APPROVED BY  
  
DISTRICT ENGINEER  
DATE

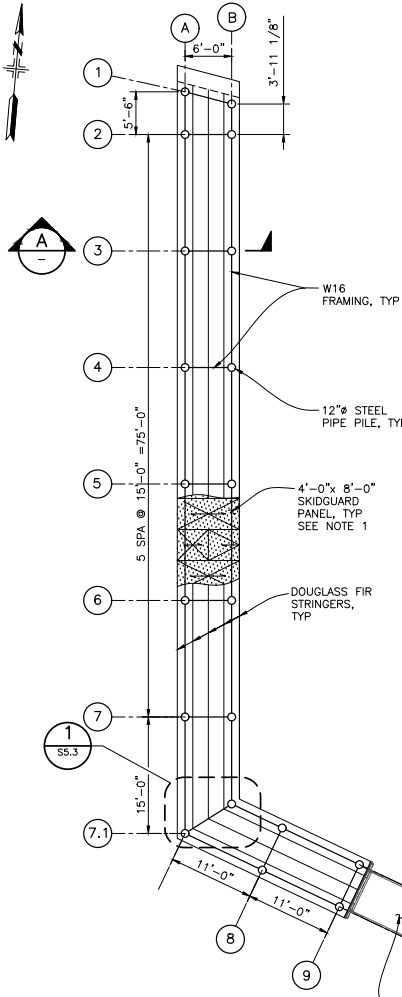
PROJECT TITLE  
**GOLDEN GATE SAUSALITO FERRY TERMINAL IMPROVEMENTS**  
SHEET TITLE  
**ACCESS PIER PILE DETAILS**



ORIGINAL SCALE IN INCHES  
FOR REDUCED PLANS

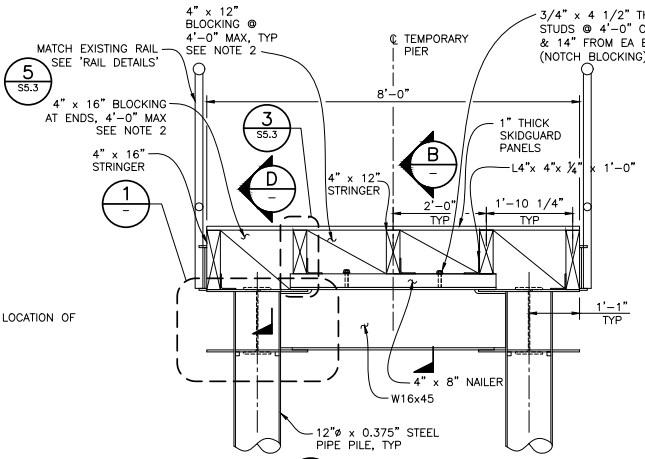
IF SHEET IS LESS THAN 22" x 34" IT IS A  
REDUCED PRINT - SCALE REDUCED ACCORDINGLY.

REV. NO.	SHEET NO.	TOTAL SHEETS

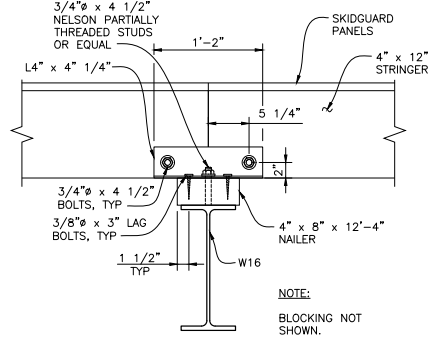


**FRAMING PLAN**  
SCALE: 1/8" = 1'-0"

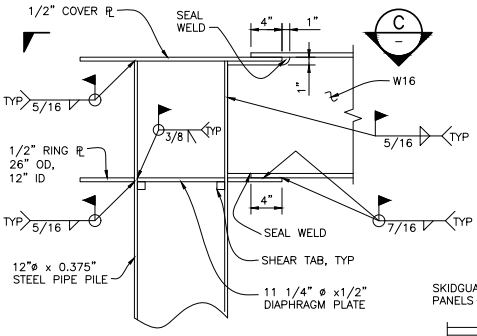
**NOTE:**  
1. SEE DRAWING C.3 FOR LOCATION OF TEMPORARY PIER.



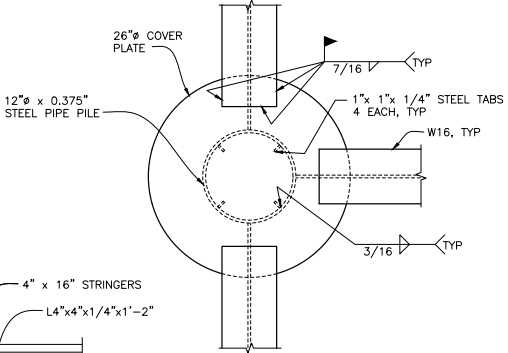
**(A) TYPICAL SECTION**  
SCALE: 3/4" = 1'-0"



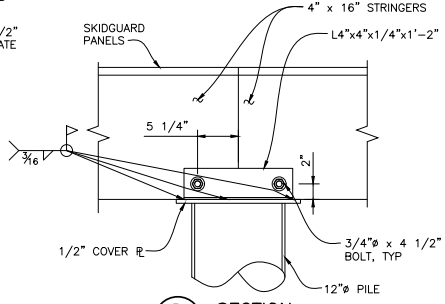
**(B) SECTION**  
SCALE: 1 1/2" = 1'-0"



**(1) DETAIL**  
SCALE: 1 1/2" = 1'-0"



**(C) SECTION**  
SCALE: 1 1/2" = 1'-0"



**(D) SECTION**  
SCALE: 1 1/2" = 1'-0"

PILE	TIP ELEVATION (ft)
1A	-40.00
1B	-42.00
2A	-42.00
2B	-44.00
3A	-42.00
3B	-44.00
4A	-43.00
4B	-43.00
5A	-43.00
5B	-43.00
6A	-43.00
6B	-43.00
7A	-43.00
7B	-44.00
7.1A	-45.00
8A.1	-43.00
9A.1	-43.00
9B.1	-45.00

- NOTES:**
1. PLACE SKIDGUARD PANEL PERPENDICULAR TO STRINGERS. USE Bd - 2 1/2" x 0.131 CORROSION RESISTANT DEFORMED SHANK NAILS. SPACE 6" MAX O.C. AT EDGES AND 12" MAX O.C. AT INTERIOR SUPPORTS. PROVIDE MINIMUM EDGE DISTANCE OF 3/8". EDGES OF SKIDGUARD PANELS TO BE FULLY BLOCKED.
  2. BLOCKING SHALL BE PROVIDED AT EACH NAILER AND AT RAILING POST LOCATIONS.

For Discussion Purposes Only

GOLDEN GATE BRIDGE  
HIGHWAY & TRANSPORTATION DISTRICT  
BOX 9000, PRESIDIO STATION  
SAN FRANCISCO, CA 94129

DESIGN	BY GD	CHECKED BJ	BO JENSEN PROJECT MANAGER
DRAWN	BY AIB	CHECKED	
QUANTITIES	BY	CHECKED	

**moffatt & nichol**  
2185 N. California Blvd., Suite 500  
Walnut Creek, CA 94596

REGISTERED CIVIL ENGINEER  
08-18-2017  
PLANS APPROVAL DATE

NO. REVISIONS	BY	DATE	DISTRICT ENGINEER

PROJECT TITLE  
**GOLDEN GATE SAUSALITO FERRY TERMINAL IMPROVEMENTS**

SHEET TITLE  
**TEMPORARY PIER FRAMING PLAN, SECTIONS & DETAILS**



P:\7038 GGBD Ferry Terminal\600 Cadd\600 Working\SAUSALITO\CADD\703800\_SS.2.dwg Aug 24, 2017 - 11:26am

APN 065-073-05 AND APN 065-133-22

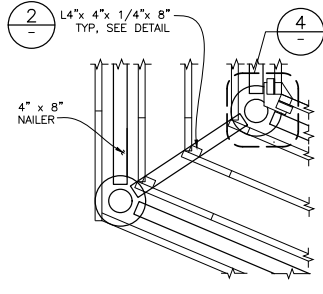
ORIGINAL SCALE IN INCHES FOR REDUCED PLANS

IF SHEET IS LESS THAN 22" x 34" IT IS A REDUCED PRINT - SCALE REDUCED ACCORDINGLY.

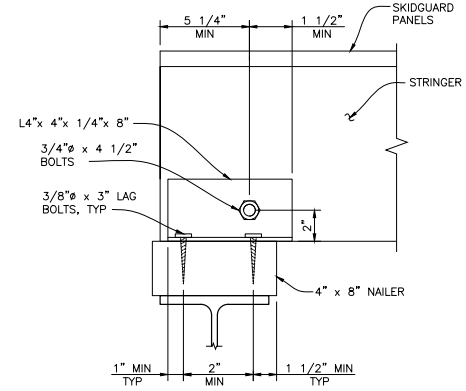
CONTRACT NO. 2011-B-2  
CADD FILE 703800\_SS.2.dwg

DRAWING NO. **SS.2**

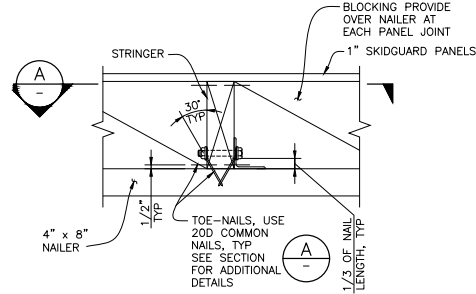
REV. NO.	SHEET NO.	TOTAL SHEETS
-	-	-



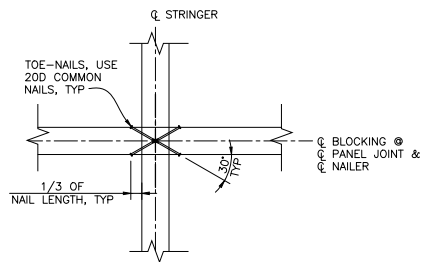
2  
-  
DETAIL  
S5.2  
SCALE: 3/8"=1'-0"



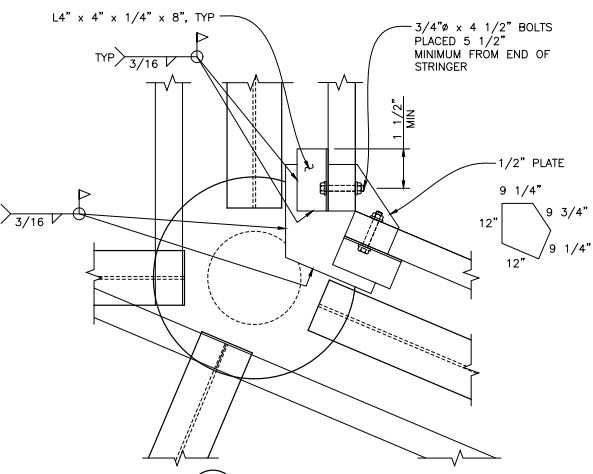
3  
-  
DETAIL  
S5.2  
SCALE: 3/8"=1'-0"



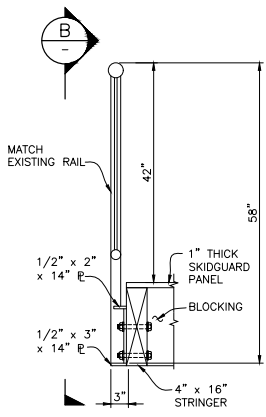
3  
-  
DETAIL  
S5.2  
SCALE: 1 1/2"=1'-0"



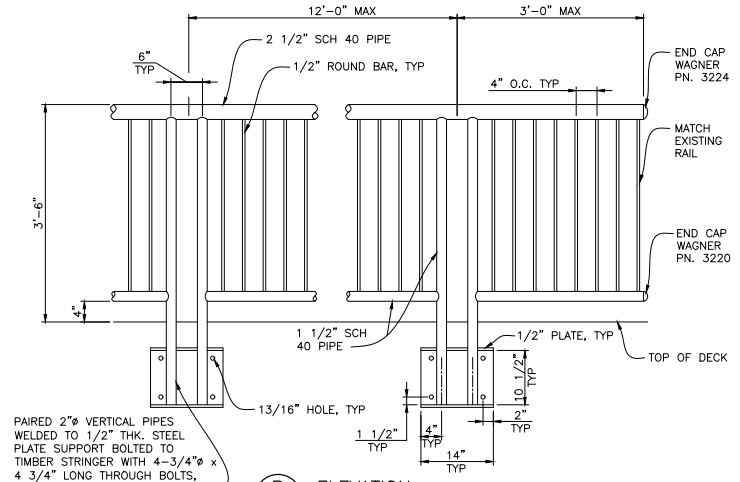
A  
-  
SECTION  
SCALE: 1 1/2"=1'-0"



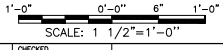
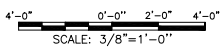
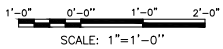
4  
-  
DETAIL  
S5.2  
SCALE: 1 1/2"=1'-0"



5  
-  
RAIL DETAIL  
S5.2  
SCALE: 1"=1'-0"



B  
-  
ELEVATION  
SCALE: 1"=1'-0"



GOLDEN GATE BRIDGE  
HIGHWAY & TRANSPORTATION DISTRICT  
BOX 9000, PRESIDIO STATION  
SAN FRANCISCO, CA 94129

APN 065-073-05 AND APN 065-133-22

DESIGN	BY MP	CHECKED BJ	BO JENSEN PROJECT MANAGER
DRAWN	BY XL	CHECKED	
QUANTITIES	BY	CHECKED	

**moffatt & nichol**  
2185 N. California Blvd., Suite 500  
Walnut Creek, CA 94596

REGISTERED CIVIL ENGINEER  
08-18-2017  
PLANS APPROVAL DATE

For Discussion Purposes Only

NO.	REVISIONS	BY	DATE

APPROVED BY  
DISTRICT ENGINEER  
DATE

PROJECT TITLE  
**GOLDEN GATE SAUSALITO FERRY TERMINAL IMPROVEMENTS**

SHEET TITLE  
**TEMPORARY PIER FRAMING & MISCELLANEOUS DETAILS**

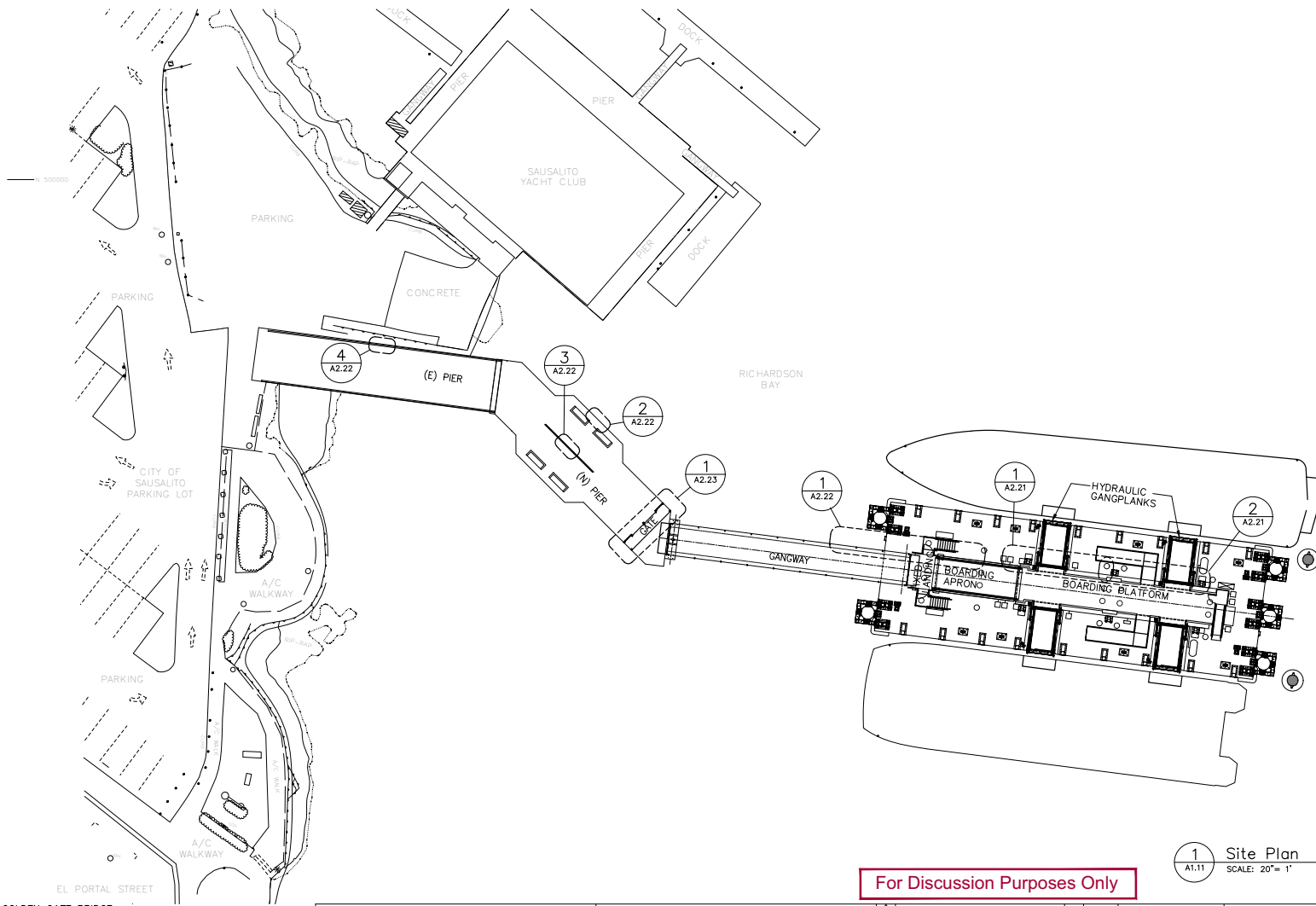


P:\7038 GGBD Ferry Terminal\600 Cadd\600 Working\SAUSALITO\CADD\703800\_S5.3.dwg Aug 24, 2017 - 11:28am

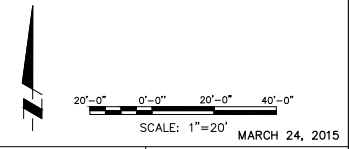
ORIGINAL SCALE IN INCHES FOR REDUCED PLANS

IF SHEET IS LESS THAN 22" x 34" IT IS A REDUCED PRINT - SCALE REDUCED ACCORDINGLY.

REV. NO.	SHEET NO.	TOTAL SHEETS



1 Site Plan  
A1.11 SCALE: 20" = 1'



For Discussion Purposes Only

GOLDEN GATE BRIDGE  
HIGHWAY AND TRANSPORTATION DISTRICT  
BOX 9000, PRESIDIO STATION, SAN FRANCISCO CA 94129

APN 065-073-05 AND APN 065-133-22  
IF SHEET IS LESS THAN 22" x 34" IT IS A  
REDUCED PRINT - SCALE REDUCED ACCORDINGLY.

DESIGN	BY	CHECKED	ROBERT JANSEN
DETAILS	BY	CHECKED	PROJECT MANAGER
QUANTITIES	BY	CHECKED	

ORIGINAL SCALE IN INCHES  
FOR REDUCED PLANS

**DLR Group | KwanHenmi**  
456 Montgomery st, Suite 300  
San Francisco, CA 94104

REGISTERED ARCHITECT

PLANS APPROVAL DATE

**moffatt & nichol**  
2185 N. California Blvd., Suite 500  
Walnut Creek, CA 94596

REGISTERED CIVIL ENGINEER

PLANS APPROVAL DATE

NO. REVISIONS	BY	DATE
CONTRACT NO. 2011-B-2	DRAWING NO.	A1.11
CADD FILE		

APPROVED BY

DISTRICT ENGINEER

DATE

PROJECT TITLE  
**GOLDEN GATE SAUSALITO FERRY TERMINAL IMPROVEMENTS**

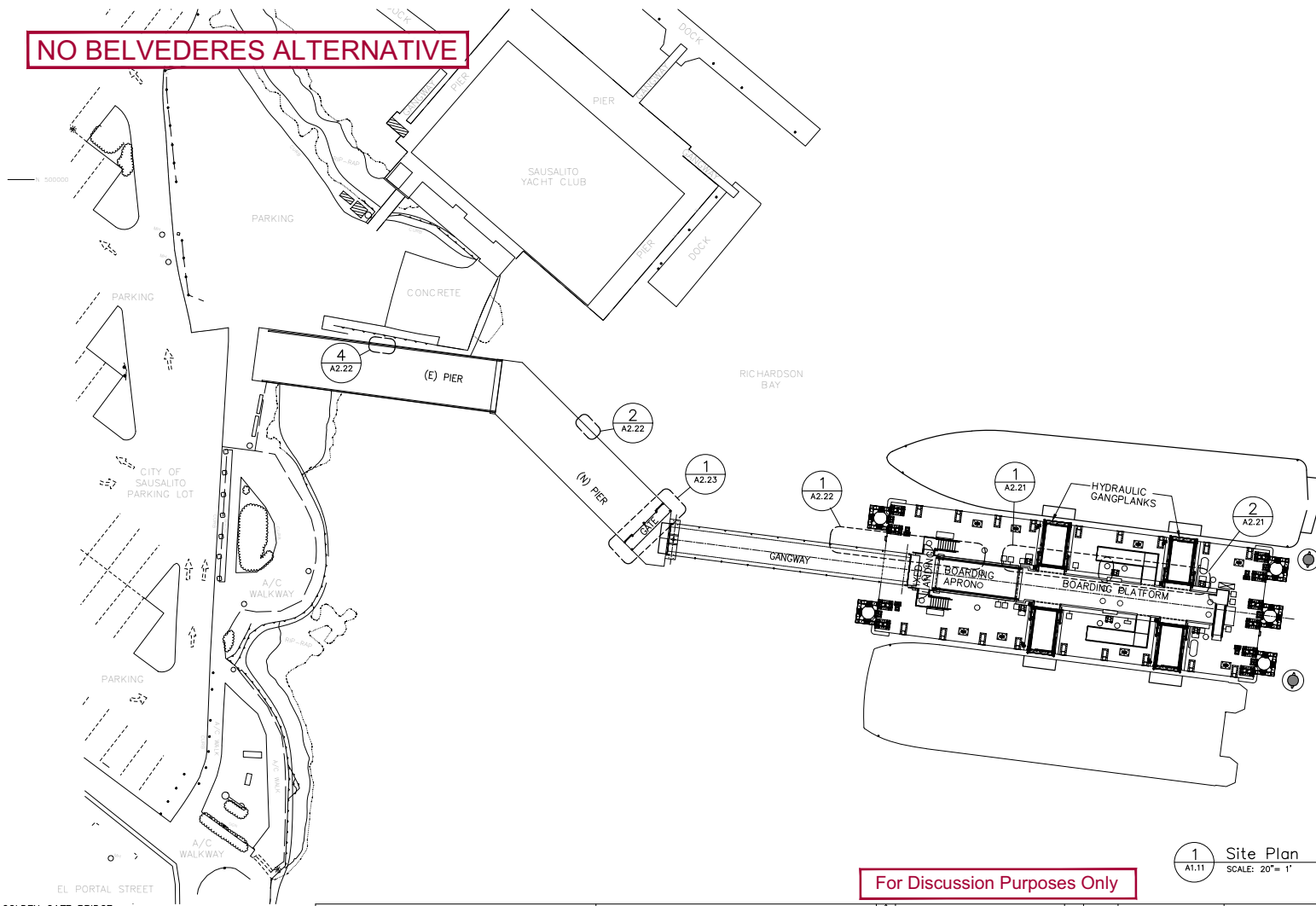
SHEET TITLE  
SITE PLAN



T:\090900 (GCFerry)\00 Drawings & Specifications\Drawings\00 Current\A1.11.dwg Aug 28, 2017 - 10:50am

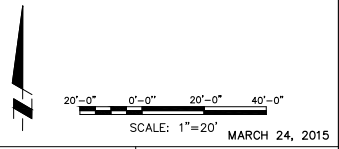
REV. NO.	SHEET NO.	TOTAL SHEETS

**NO BELVEDERES ALTERNATIVE**



1 Site Plan  
A1.11 SCALE: 20" = 1'

**For Discussion Purposes Only**



GOLDEN GATE BRIDGE  
HIGHWAY AND TRANSPORTATION DISTRICT  
BOX 9000, PRESIDIO STATION, SAN FRANCISCO CA 94129

APN 065-073-05 AND APN 065-133-22  
IF SHEET IS LESS THAN 22" x 34" IT IS A  
REDUCED PRINT - SCALE REDUCED ACCORDINGLY.

DESIGN	BY	CHECKED	ROBERT JANSEN
DETAILS	BY	CHECKED	PROJECT MANAGER
QUANTITIES	BY	CHECKED	

ORIGINAL SCALE IN INCHES  
FOR REDUCED PLANS

0	1	2	3
---	---	---	---

**DLR Group | KwanHenmi**

456 Montgomery st, Suite 300  
San Francisco, CA 94104

REGISTERED ARCHITECT

PLANS APPROVAL DATE

**moffatt & nichol**

2185 N. California Blvd., Suite 500  
Walnut Creek, CA 94596

REGISTERED CIVIL ENGINEER

PLANS APPROVAL DATE

NO. REVISIONS	BY	DATE
CONTRACT NO. 2011-B-2	DRAWING NO.	A1.11.A
CADD FILE	DATE	

APPROVED BY

DISTRICT ENGINEER

DATE

PROJECT TITLE

**GOLDEN GATE SAUSALITO FERRY TERMINAL IMPROVEMENTS**

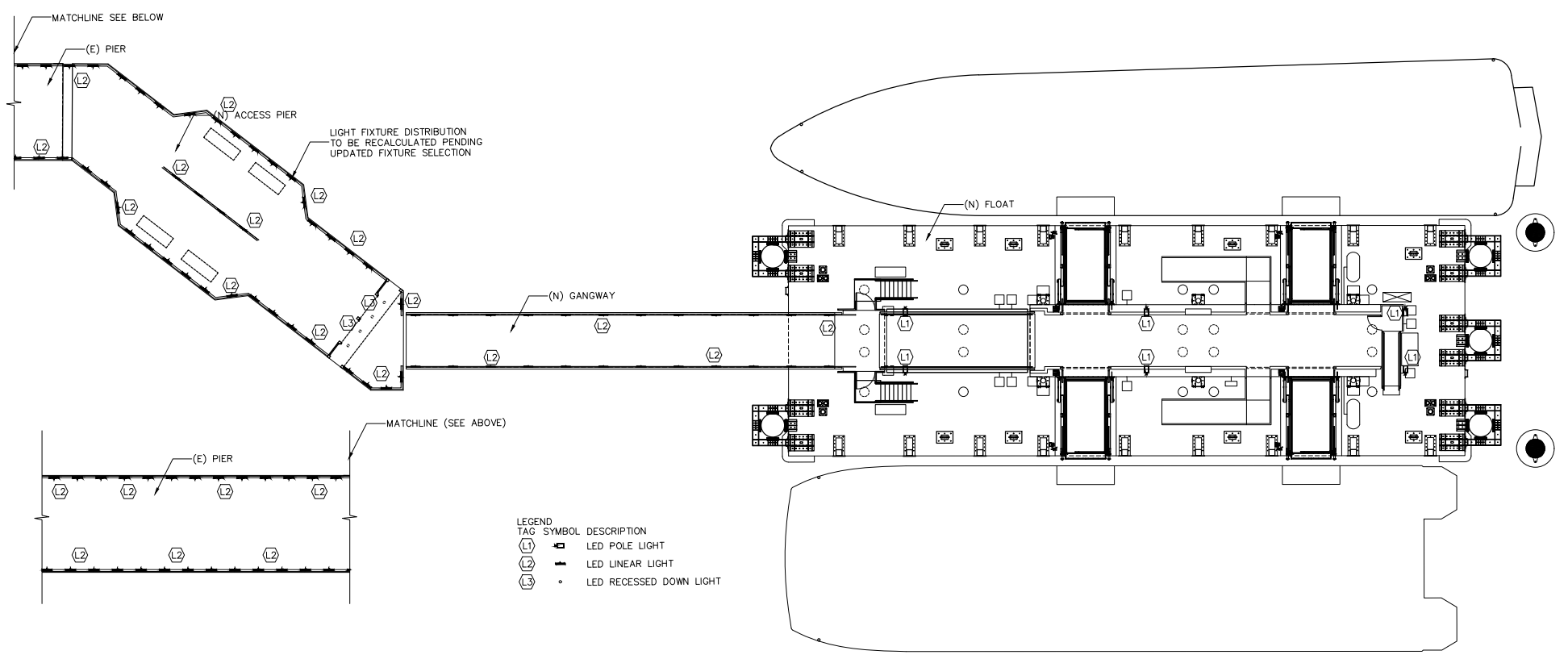
SHEET TITLE

SITE PLAN  
NO BELVEDERES ALTERNATIVE



I:\090900 (GCFerry)\00 Drawings & Specifications\Drawings\00 Current\A1.11.dwg Aug 28, 2017 - 10:50am

REV. NO.	SHEET NO.	TOTAL SHEETS

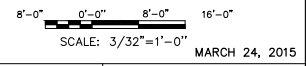


LEGEND

TAG	SYMBOL	DESCRIPTION
L1		LED POLE LIGHT
L2		LED LINEAR LIGHT
L3		LED RECESSED DOWN LIGHT

**1** Lighting Plan  
A2.12 SCALE: 3/32" = 1'-0"

For Discussion Purposes Only



GOLDEN GATE BRIDGE  
HIGHWAY AND TRANSPORTATION DISTRICT  
BOX 9000, PRESIDIO STATION, SAN FRANCISCO CA 94129

APN 065-073-05 AND APN 065-133-22  
IF SHEET IS LESS THAN 22" x 34" IT IS A  
REDUCED PRINT - SCALE REDUCED ACCORDINGLY.

DESIGN	BY	CHECKED	ROBERT JANSEN
DETAILS	BY	CHECKED	PROJECT MANAGER
QUANTITIES	BY	CHECKED	

**DLR Group | KwanHenmi**  
456 Montgomery St., Suite 300  
San Francisco, CA 94104

**moffatt & nichol**  
2185 N. California Blvd., Suite 500  
Walnut Creek, CA 94596

REGISTERED ARCHITECT  
PLANS APPROVAL DATE

REGISTERED CIVIL ENGINEER  
PLANS APPROVAL DATE

NO. REVISIONS	BY	DATE

CONTRACT NO. 2011-B-2  
DRAWING NO. A2.12  
CADD FILE

APPROVED BY  
  
DISTRICT ENGINEER  
DATE

PROJECT TITLE  
**GOLDEN GATE SAUSALITO FERRY TERMINAL  
IMPROVEMENTS**

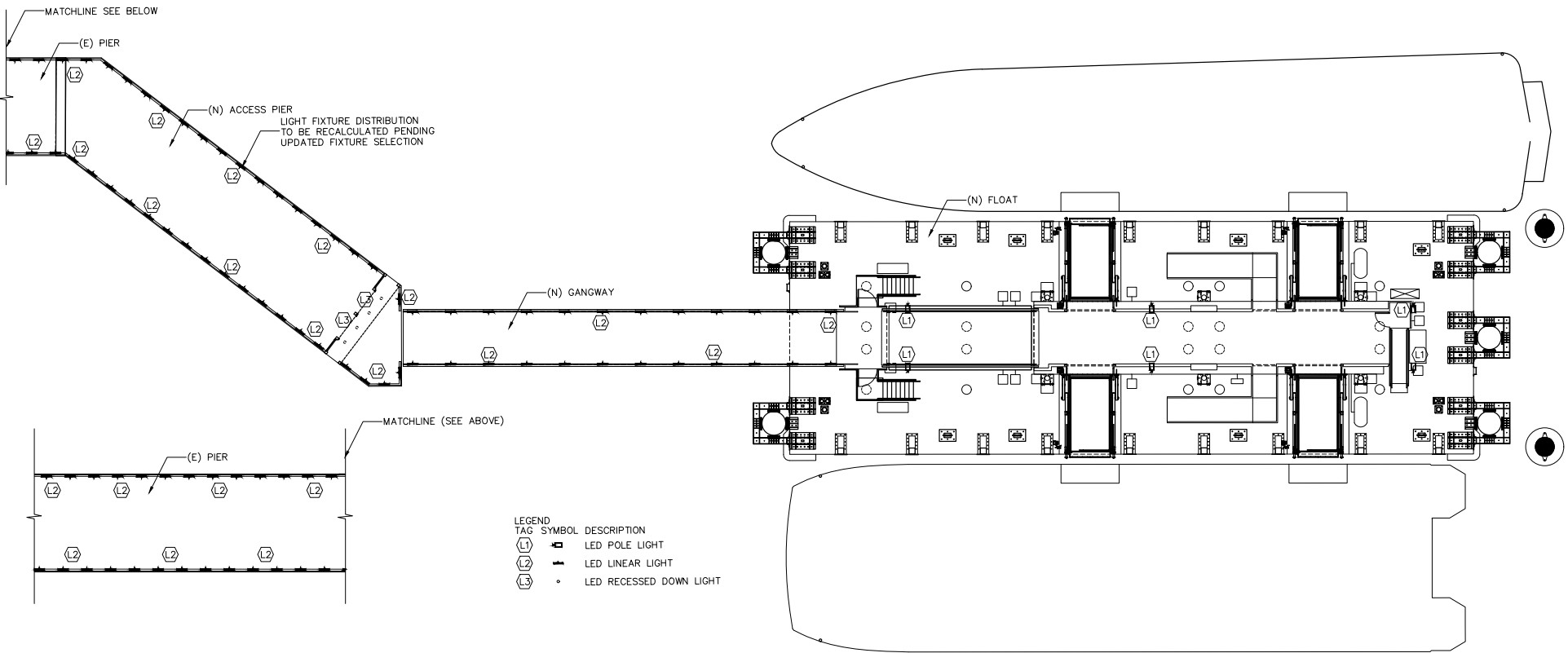
SHEET TITLE  
LIGHTING PLAN



T:\090900 (GGFerry)\00 Drawings & Specifications\Drawings\00 Current\A1.11.dwg Aug 28, 2017 - 10:51 am

REV. NO.	SHEET NO.	TOTAL SHEETS

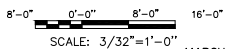
# NO BELVEDERES ALTERNATIVE



LEGEND

TAG	SYMBOL	DESCRIPTION
L1		LED POLE LIGHT
L2		LED LINEAR LIGHT
L3		LED RECESSED DOWN LIGHT

**1** Lighting Plan  
A2.12 SCALE: 3/32"= 1'-0"



For Discussion Purposes Only

MARCH 24, 2015

GOLDEN GATE BRIDGE  
HIGHWAY AND TRANSPORTATION DISTRICT  
BOX 9000, PRESIDIO STATION, SAN FRANCISCO CA 94129

APN 065-073-05 AND APN 065-133-22  
IF SHEET IS LESS THAN 22" x 34" IT IS A  
REDUCED PRINT - SCALE REDUCED ACCORDINGLY.

DESIGN	BY	CHECKED	ROBERT JANSEN
DETAILS	BY	CHECKED	PROJECT MANAGER
QUANTITIES	BY	CHECKED	

ORIGINAL SCALE IN INCHES FOR REDUCED PLANS

0	1	2	3
---	---	---	---

**DLR Group | KwanHenmi**

456 Montgomery st, Suite 300  
San Francisco, CA 94104

REGISTERED ARCHITECT

PLANS APPROVAL DATE

**moffatt & nichol**

2185 N. California Blvd., Suite 500  
Walnut Creek, CA 94596

REGISTERED CIVIL ENGINEER

PLANS APPROVAL DATE

NO. REVISIONS	BY	DATE
CONTRACT NO. 2011-B-2	DRAWING NO. A2.12.A	
CADD FILE		

APPROVED BY

DISTRICT ENGINEER

DATE

PROJECT TITLE

**GOLDEN GATE SAUSALITO FERRY TERMINAL IMPROVEMENTS**

SHEET TITLE

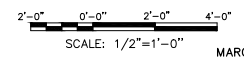
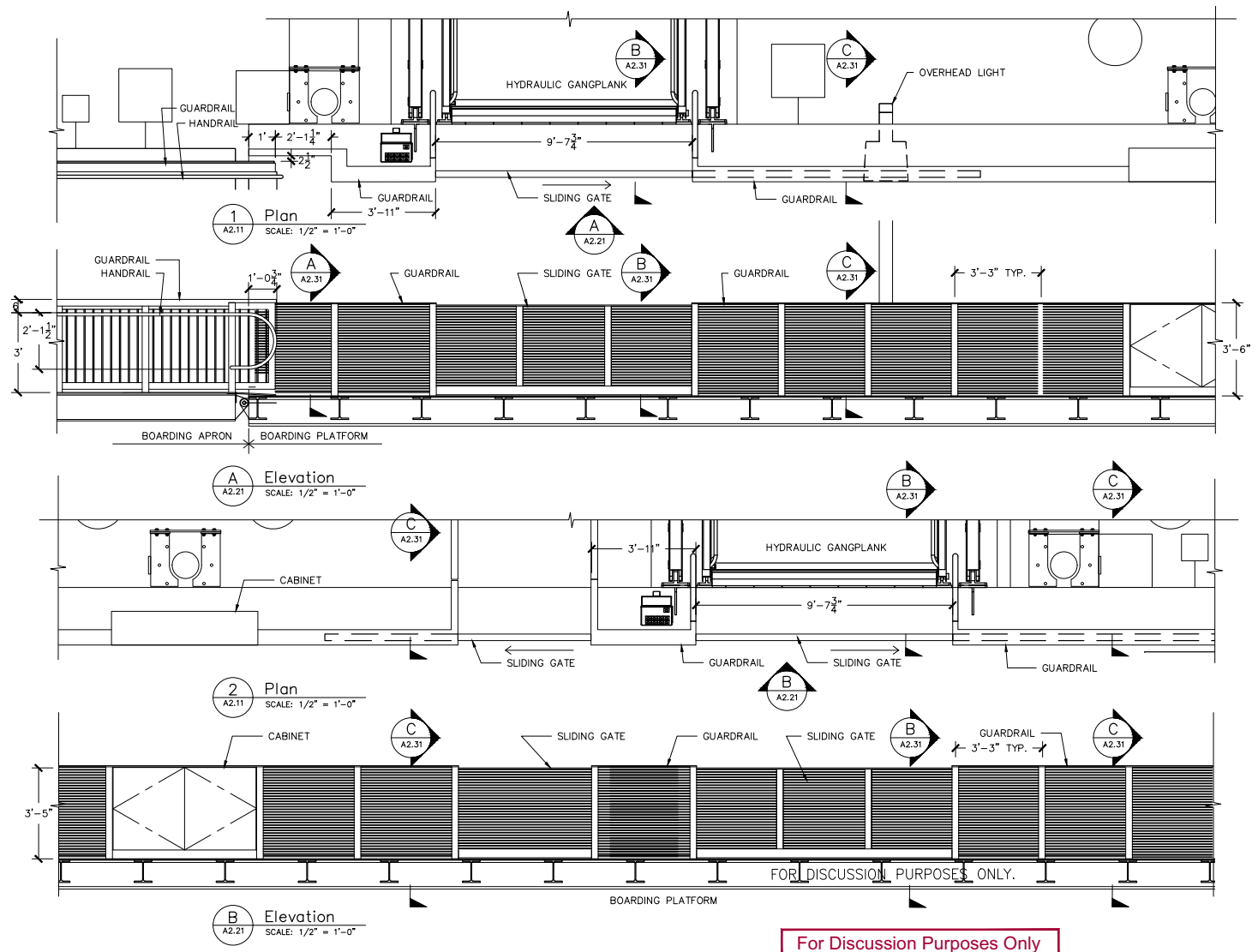
**LIGHTING PLAN  
NO BELVEDERES ALTERNATIVE**



T:\090900 (GCFerry)\00 Drawings & Specifications\Drawings\00 Current\A1.11.dwg Aug 28, 2017 - 10:51 am



REV. NO.	SHEET NO.	TOTAL SHEETS



MARCH 24, 2015

GOLDEN GATE BRIDGE  
HIGHWAY AND TRANSPORTATION DISTRICT  
BOX 9000, PRESIDIO STATION, SAN FRANCISCO CA 94129

APN 065-073-05 AND APN 065-133-22  
IF SHEET IS LESS THAN 22" x 34" IT IS A  
REDUCED PRINT - SCALE REDUCED ACCORDINGLY.

**DLR Group | KwanHenmi**

456 Montgomery St. Suite 300  
San Francisco, CA 94104

REGISTERED ARCHITECT

PLANS APPROVAL DATE

**moffatt & nichol**

2185 N. California Blvd., Suite 500  
Walnut Creek, CA 94596

REGISTERED CIVIL ENGINEER

PLANS APPROVAL DATE

**For Discussion Purposes Only**

NO. REVISIONS	BY	DATE
CONTRACT NO. 2011-B-2	DRAWING NO.	
CADD FILE	A2.21	

APPROVED BY

DISTRICT ENGINEER

DATE

PROJECT TITLE

**GOLDEN GATE SAUSALITO FERRY TERMINAL IMPROVEMENTS**

SHEET TITLE

GUARDRAILS  
ENLARGED ELEVATIONS/PLANS



T:\090900 (Goferry)\00 Drawings & Specifications\Drawings\00 Current\A2.21-22.dwg Aug 28, 2017 - 10:52am

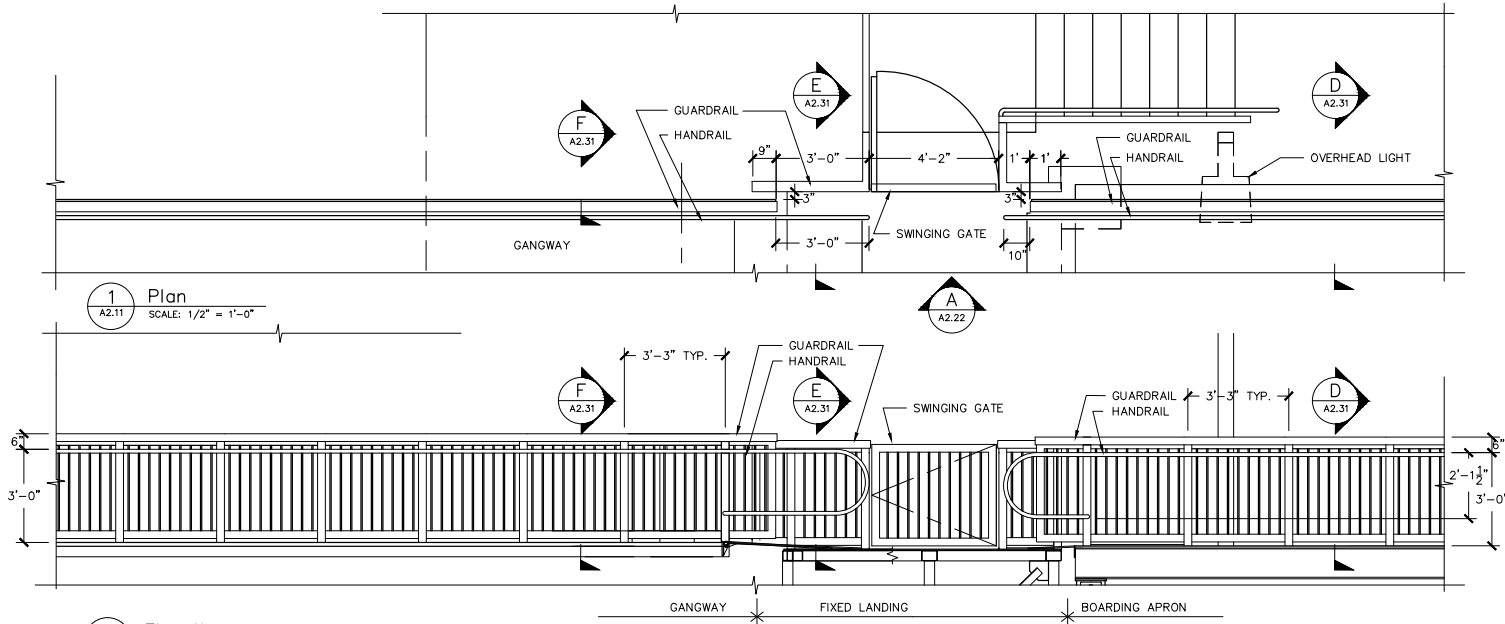
DESIGN	BY	CHECKED	
DETAILS	BY	CHECKED	
QUANTITIES	BY	CHECKED	

ORIGINAL SCALE IN INCHES FOR REDUCED PLANS

0	1	2	3
---	---	---	---

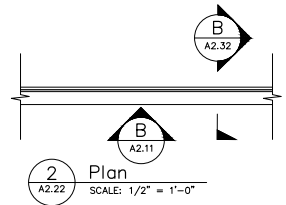
ROBERT JANSEN  
PROJECT MANAGER

REV. NO.	SHEET NO.	TOTAL SHEETS

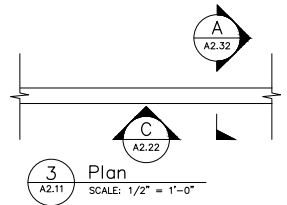


1 Plan  
A2.11 SCALE: 1/2" = 1'-0"

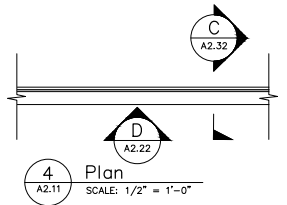
A Elevation  
A2.22 SCALE: 1/2" = 1'-0"



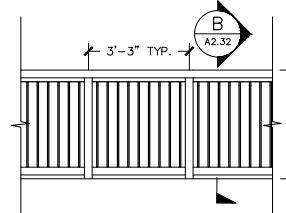
2 Plan  
A2.22 SCALE: 1/2" = 1'-0"



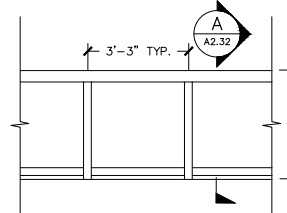
3 Plan  
A2.11 SCALE: 1/2" = 1'-0"



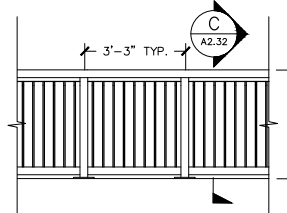
4 Plan  
A2.11 SCALE: 1/2" = 1'-0"



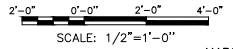
B Elevation  
A2.22 SCALE: 1/2" = 1'-0"



C Elevation  
A2.22 SCALE: 1/2" = 1'-0"



D Elevation  
A2.22 SCALE: 1/2" = 1'-0"



**For Discussion Purposes Only**

GOLDEN GATE BRIDGE  
HIGHWAY AND TRANSPORTATION DISTRICT  
BOX 9000, PRESIDIO STATION, SAN FRANCISCO CA 94129

APN 065-073-05 AND APN 065-133-22  
IF SHEET IS LESS THAN 22" x 34" IT IS A  
REDUCED PRINT - SCALE REDUCED ACCORDINGLY.

DESIGN	BY	CHECKED	ROBERT JANSEN
DETAILS	BY	CHECKED	PROJECT MANAGER
QUANTITIES	BY	CHECKED	

ORIGINAL SCALE IN INCHES FOR REDUCED PLANS

**DLR Group | KwanHenmi**  
456 Montgomery st. Suite 300  
San Francisco, CA 94104

**moffatt & nichol**  
2185 N. California Blvd., Suite 500  
Walnut Creek, CA 94596

NO. REVISIONS	BY	DATE
CONTRACT NO. 2011-B-2	DRAWING NO.	A2.22
CADD FILE	DATE	

APPROVED BY

DISTRICT ENGINEER

PROJECT TITLE  
**GOLDEN GATE SAUSALITO FERRY TERMINAL IMPROVEMENTS**

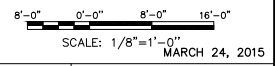
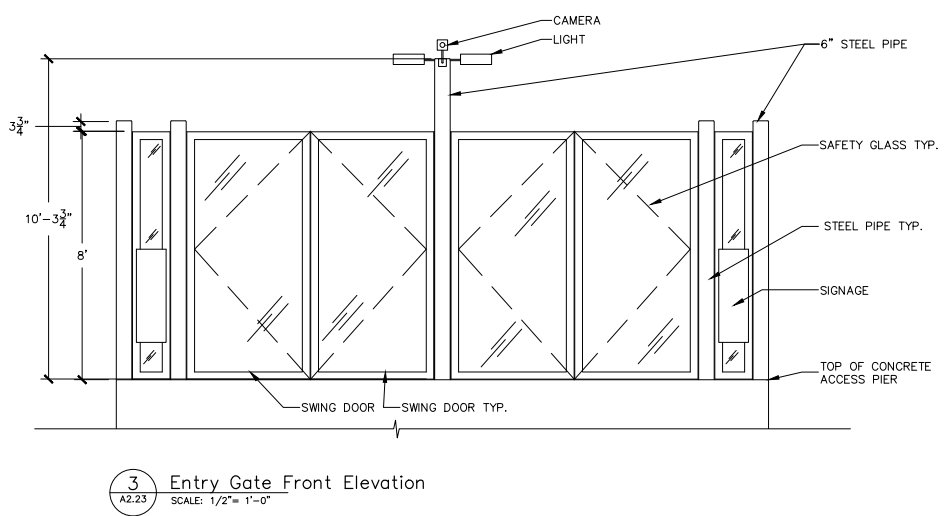
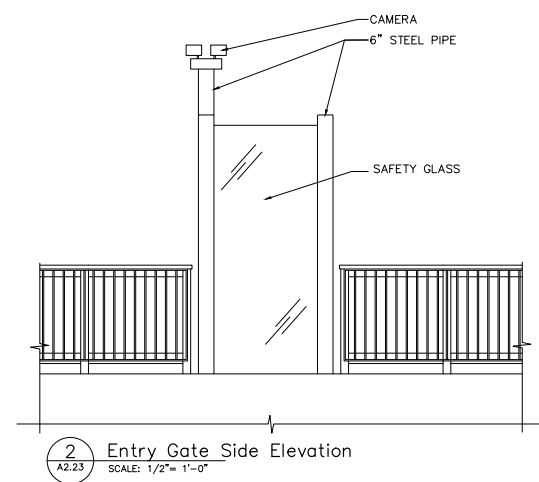
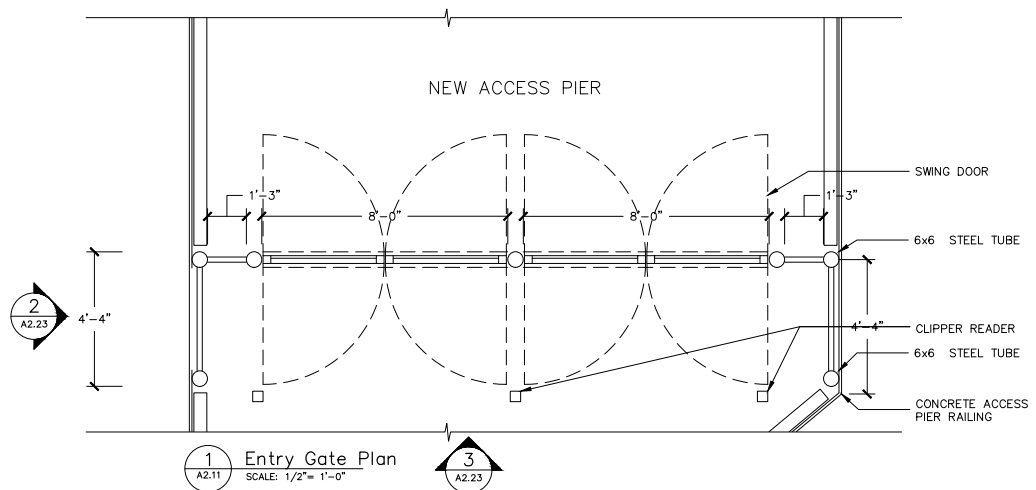
SHEET TITLE  
GUARDRAILS  
ENLARGED ELEVATIONS/PLANS



MARCH 24, 2015

T:\090900 (Goferry)\00 Drawings & Specifications\Drawings\00 Current\A2.1-22.dwg Aug 28, 2017 - 11:00am

REV. NO.	SHEET NO.	TOTAL SHEETS



For Discussion Purposes Only

T:\090900 (G0Err) \00 Drawings & Specifications \Drawings\00 Current\A2.23-24.dwg Aug 28, 2017 - 12:07pm

GOLDEN GATE BRIDGE  
HIGHWAY AND TRANSPORTATION DISTRICT  
BOX 9000, PRESIDIO STATION, SAN FRANCISCO CA 94129

APN 065-073-05 AND APN 065-133-22  
IF SHEET IS LESS THAN 22" x 34" IT IS A  
REDUCED PRINT - SCALE REDUCED ACCORDINGLY.

DESIGN	BY	CHECKED	ROBERT JANSEN
DETAILS	BY	CHECKED	PROJECT MANAGER
QUANTITIES	BY	CHECKED	

**DLR Group | KwanHenmi**  
456 Montgomery st. Suite 300  
San Francisco, CA 94104

REGISTERED ARCHITECT

PLANS APPROVAL DATE

**moffatt & nichol**  
2185 N. California Blvd., Suite 500  
Walnut Creek, CA 94596

REGISTERED CIVIL ENGINEER

PLANS APPROVAL DATE

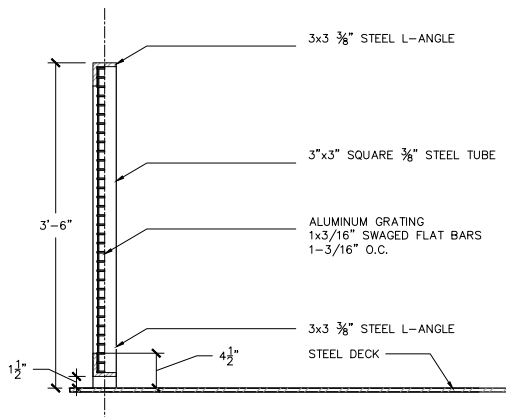
NO. REVISIONS	BY	DATE	APPROVED BY
CONTRACT NO. 2011-B-2			DISTRICT ENGINEER
CADD FILE	DRAWING NO.		DATE
	A2.23		

PROJECT TITLE  
**GOLDEN GATE SAUSALITO FERRY TERMINAL IMPROVEMENTS**

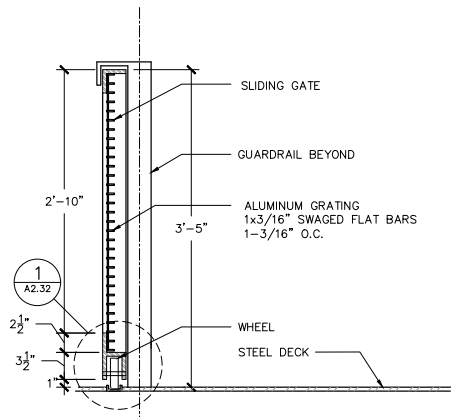
SHEET TITLE  
**ENTRY GATE PLAN & ELEVATIONS**



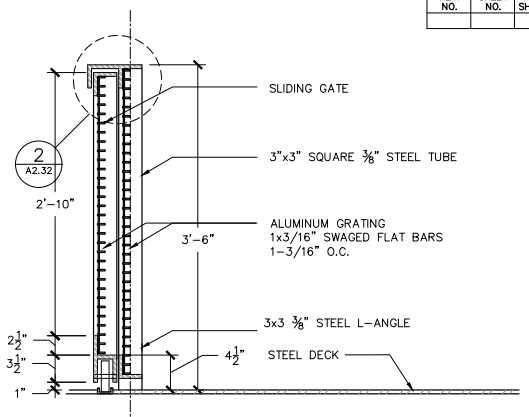
REV. NO.	SHEET NO.	TOTAL SHEETS



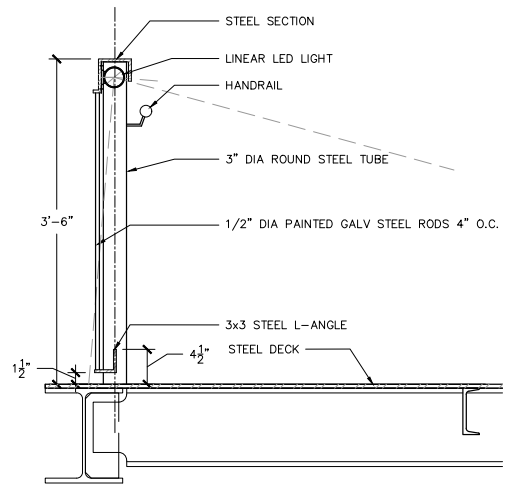
**A** Boarding Platform Section Detail  
A2.21 SCALE: 1-1/2" = 1'-0"



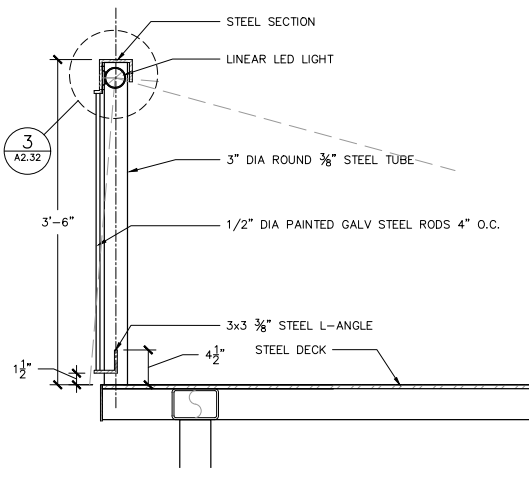
**B** Boarding Platform Section Detail at Sliding Gate  
A2.21 SCALE: 1-1/2" = 1'-0"



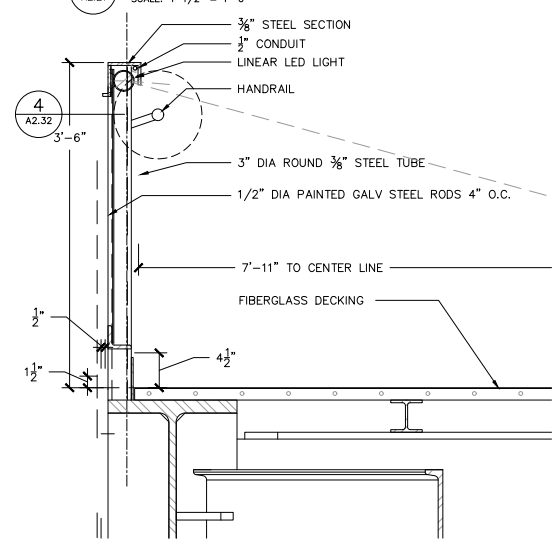
**C** Composite Boarding Platform Section Detail  
A2.21 SCALE: 1-1/2" = 1'-0"



**D** Boarding Apron Section Detail  
A2.22 SCALE: 1-1/2" = 1'-0"



**E** Fixed Landing Section Detail  
A2.22 SCALE: 1-1/2" = 1'-0"



**F** Gangway Section Detail  
A2.22 SCALE: 1-1/2" = 1'-0"

T:\090900 (Goferry)\00 Drawings & Specifications\Drawings\00 Current\A2.31-32.dwg Aug 28, 2017 - 11:01am

For Discussion Purposes Only

GOLDEN GATE BRIDGE  
HIGHWAY AND TRANSPORTATION DISTRICT  
BOX 9000, PRESIDIO STATION, SAN FRANCISCO CA 94129

APN 065-073-05 AND APN 065-133-22  
IF SHEET IS LESS THAN 22" x 34" IT IS A  
REDUCED PRINT - SCALE REDUCED ACCORDINGLY.

DESIGN	BY	CHECKED
DESIGN	ROBERT JANSEN	
DETAILS		
QUANTITIES		

**DLR Group** | **KwanHenmi**

456 Montgomery st. Suite 300  
San Francisco, CA 94104

REGISTERED ARCHITECT

PLANS APPROVAL DATE

**moffatt nichol**

2185 N. California Blvd., Suite 500  
Walnut Creek, CA 94596

REGISTERED CIVIL ENGINEER

PLANS APPROVAL DATE

NO.	REVISIONS	BY	DATE

CONTRACT NO. 2011-B-2  
DRAWING NO. A2.31  
CADD FILE

APPROVED BY

DISTRICT ENGINEER

DATE

PROJECT TITLE

**GOLDEN GATE SAUSALITO FERRY TERMINAL IMPROVEMENTS**

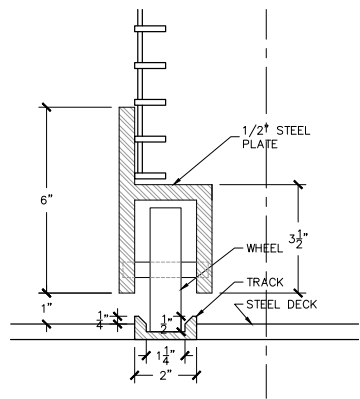
SHEET TITLE

**GUARDRAILS SECTIONS**

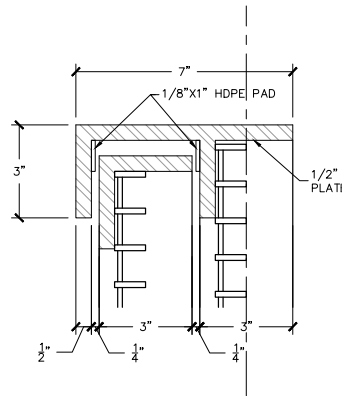
MARCH 24, 2015

GOLDEN GATE BRIDGE  
HIGHWAY & TRANSPORTATION DISTRICT

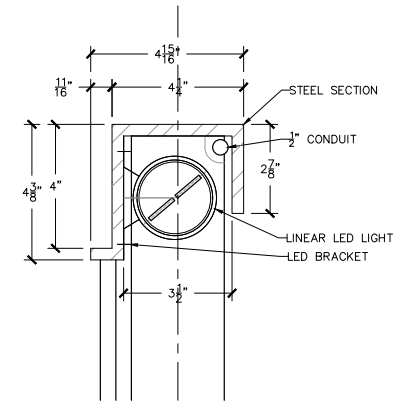
REV. NO.	SHEET NO.	TOTAL SHEETS



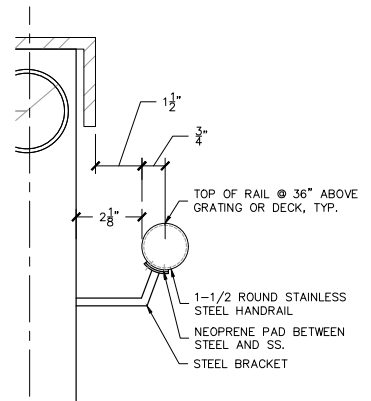
1 Section Detail  
A2.31 SCALE: 6" = 1'-0"



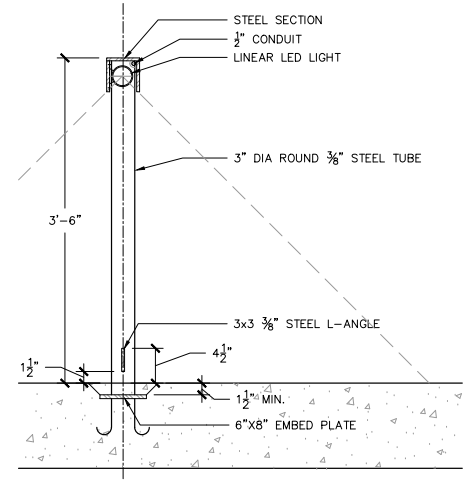
2 Boarding Platform Section Detail at Sliding Gate  
A2.31 SCALE: 6" = 1'-0"



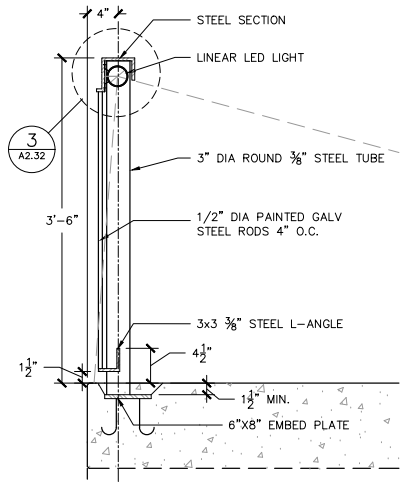
3 LED & Rail Cap  
A2.32 SCALE: 6" = 1'-0"



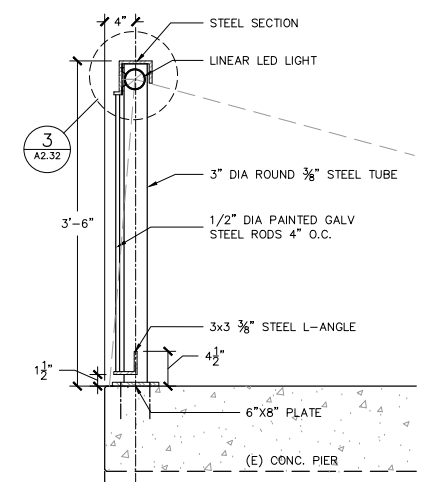
4 Handrail Detail  
A2.31 SCALE: 6" = 1'-0"



A Access Pier Mid Section Detail  
A2.22 SCALE: 1-1/2" = 1'-0"



B Access Pier Edge Section Detail  
A2.22 SCALE: 1-1/2" = 1'-0"



C (N) Railing on (E) Pier Section Detail  
A2.22 SCALE: 1-1/2" = 1'-0"

For Discussion Purposes Only

T:\090900 (Goferry)\00 Drawings & Specifications\Drawings\00 Current\A2.31-32.dwg Aug 28, 2017 - 11:01am

GOLDEN GATE BRIDGE  
HIGHWAY AND TRANSPORTATION DISTRICT  
BOX 9000, PRESIDIO STATION, SAN FRANCISCO CA 94129

APN 065-073-05 AND APN 065-133-22  
IF SHEET IS LESS THAN 22" x 34" IT IS A  
REDUCED PRINT - SCALE REDUCED ACCORDINGLY.

DESIGN	BY	CHECKED
DESIGN	ROBERT JANSEN	CHECKED
DETAILS		CHECKED
QUANTITIES		CHECKED

ORIGINAL SCALE IN INCHES FOR REDUCED PLANS

0	1	2	3
---	---	---	---

**DLR Group** | **KwanHenmi**

456 Montgomery st, Suite 300  
San Francisco, CA 94104

REGISTERED ARCHITECT

PLANS APPROVAL DATE

**moffatt nichol**

2185 N. California Blvd., Suite 500  
Walnut Creek, CA 94596

REGISTERED CIVIL ENGINEER

PLANS APPROVAL DATE

NO.	REVISIONS	BY	DATE

CONTRACT NO. 2011-B-2  
CADD FILE

DRAWING NO. A2.32

APPROVED BY

DISTRICT ENGINEER

DATE

PROJECT TITLE

**GOLDEN GATE SAUSALITO FERRY TERMINAL IMPROVEMENTS**

SHEET TITLE

GUARDRAILS SECTIONS

MARCH 24, 2015

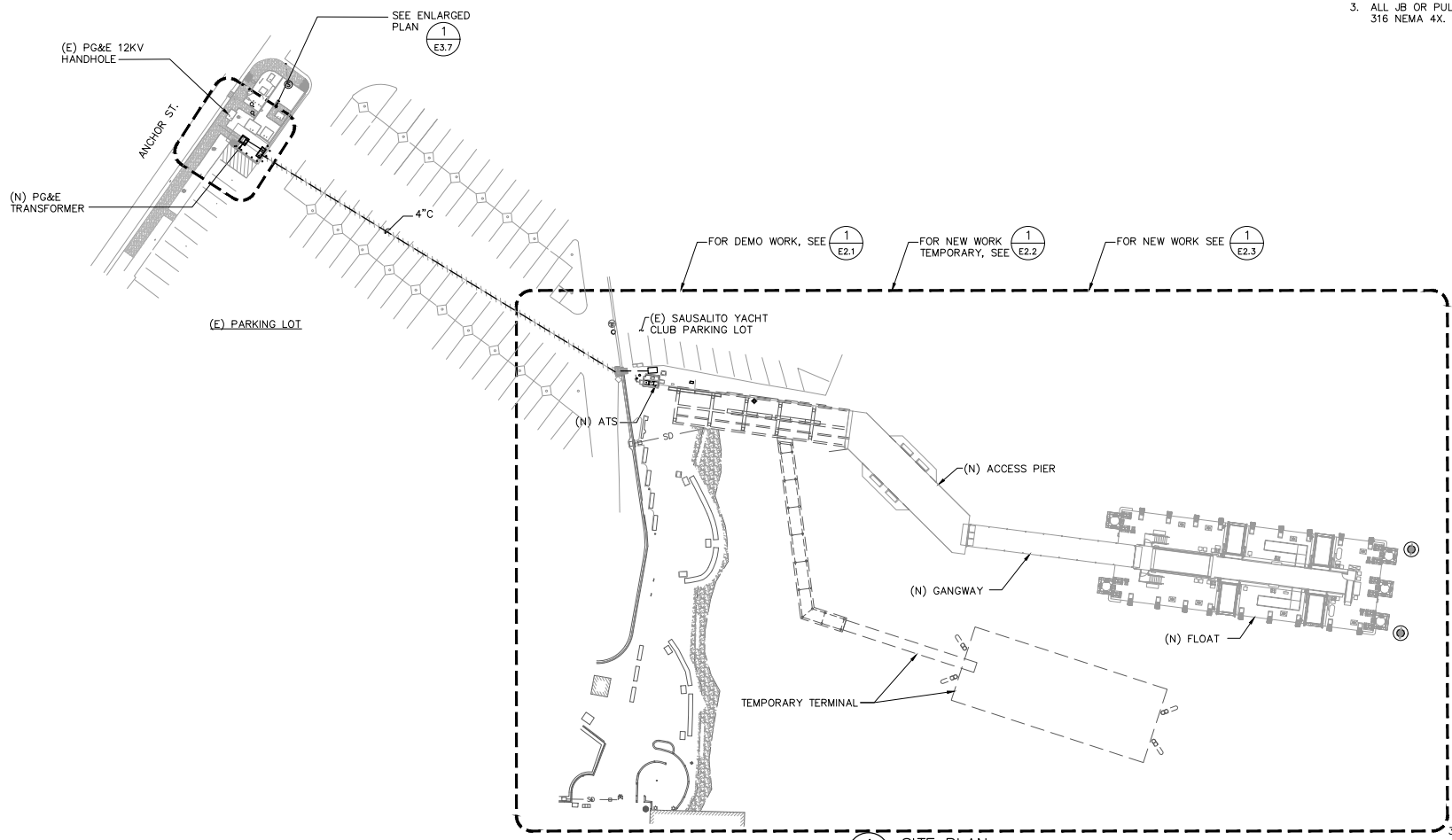
GOLDEN GATE BRIDGE  
HIGHWAY & TRANSPORTATION DISTRICT

P:\7038 GGBD Ferry Terminals\600 Cadd\660 Working\SAUSALITO\CADD\ELECTRICAL\703800\_E2.0.dwg Aug 24, 2017 - 3:50pm

REV. NO.	SHEET NO.	TOTAL SHEETS

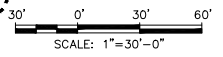
**GENERAL NOTES**

1. ALL CONDUITS SHALL BE PVC COATED RGS.
2. ALL FLEX. CONDUITS SHALL BE LIQUID TIGHT PVC COATED METAL.
3. ALL JB OR PULL BOXES ARE STAINLESS STEEL 316 NEMA 4X.



**1** SITE PLAN  
E2.0 SCALE: 1"=30'-0"

**For Discussion Purposes Only**



GOLDEN GATE BRIDGE  
HIGHWAY & TRANSPORTATION DISTRICT  
BOX 9000, PRESIDIO STATION  
SAN FRANCISCO, CA 94129



DESIGN	BY S. HO	CHECKED B. YEE	BO JENSEN PROJECT MANAGER
DRAWN	BY S. HO	CHECKED G. CHEUNG	
QUANTITIES	BY	CHECKED	

REGISTERED CIVIL ENGINEER  
08-18-2017  
PLANS APPROVAL DATE

NO.	REVISIONS	BY	DATE

CONTRACT NO. 2011-B-2  
CADD FILE 703800\_E2.0.dwg

APPROVED BY  
  
DISTRICT ENGINEER  
DATE

PROJECT TITLE  
**GOLDEN GATE SAUSALITO FERRY TERMINAL IMPROVEMENTS**

SHEET TITLE  
**ELECTRICAL SITE PLAN**

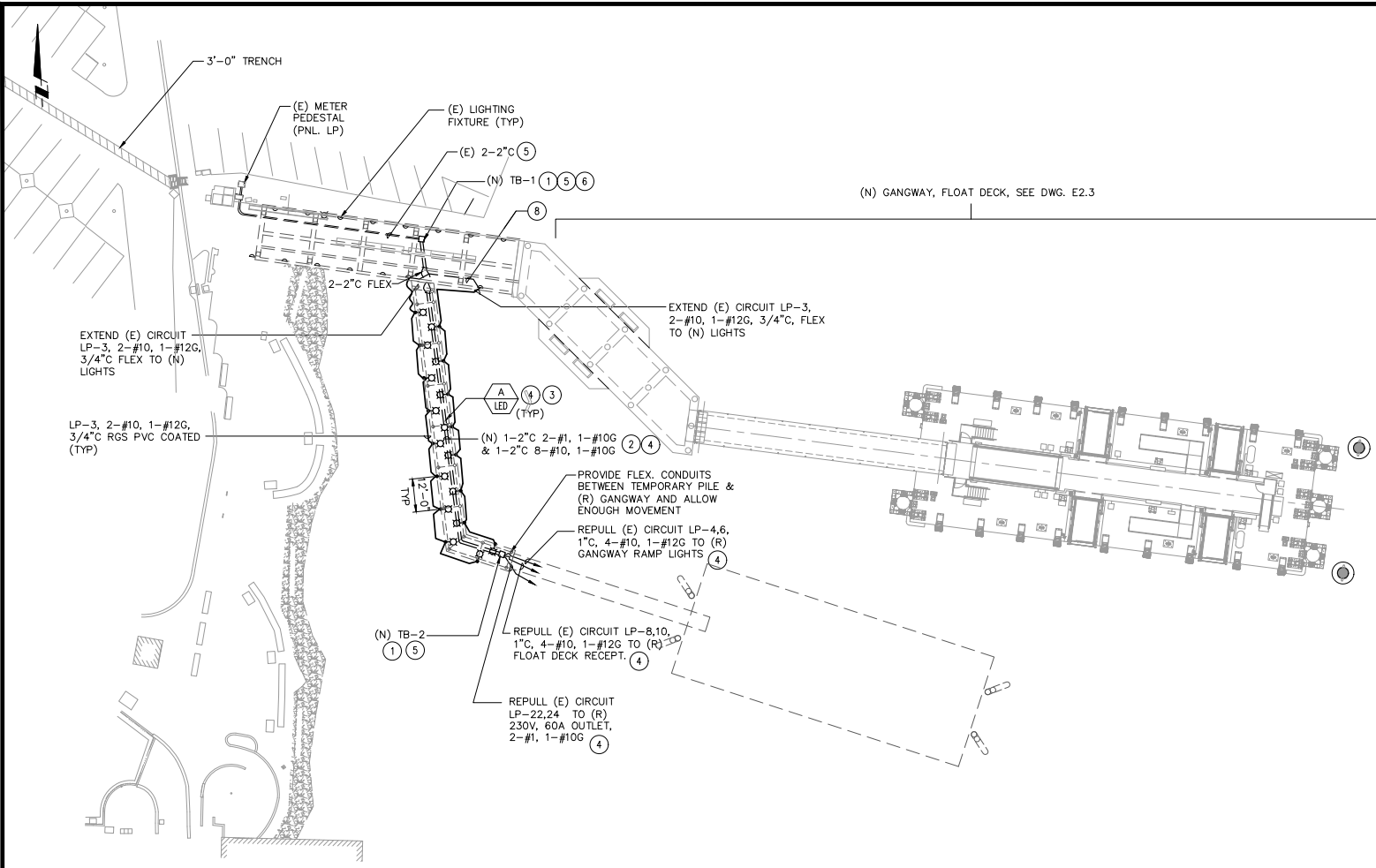


ORIGINAL SCALE IN INCHES	0	1	2	3
FOR REDUCED PLANS				

IF SHEET IS LESS THAN 22" x 34" IT IS A REDUCED PRINT - SCALE REDUCED ACCORDINGLY.



P:\7038 GGBD Ferry Terminal\600 Cadd\660 Working\SAUSALITO\CADD\ELECTRICAL\703800\_E2.2.dwg Aug 24, 2017 1:42pm



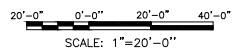
**GENERAL NOTES**

1. ALL CONDUITS SHALL BE PVC COATED RGS.
2. ALL FLEX. CONDUITS SHALL BE LIQUID TIGHT PVC COATED METAL.
3. ALL JB OR PULL BOXES ARE STAINLESS STEEL 316 NEMA 4X.

**SHEET NOTES**

- 1 PROVIDE (N) 316 SS, NEMA 4X 16"x16"x8" MINIMUM, HINGE TERMINAL BOX AND INTERCEPT CIRCUITS AND RACEWAYS.
- 2 PROVIDE (N) 2-2"C.
- 3 TEMPORARY FIXTURES.
- 4 REMOVE FIXTURES, CONDUITS & WIRES AFTER (N) FLOAT INSTALLATION.
- 5 (E) CONDUITS & JB ABANDONED IN PLACE AFTER (N) FLOAT INSTALLATION.
- 6 SPICE (E) CABLES AND EXTEND TO (N) TEMPORARY WALKWAY.
- 7 EXTEND (E) CIRCUIT TO TEMPORARY FIXTURES.
- 8 RECONNECT (E) CIRCUIT TO (E) FIXTURE. PROVIDE CABLE AND CONDUIT MATCHING (E)

**1 GANGWAY FRAMING PLAN – TEMPORARY POWER**  
E-4 SCALE: 1"=20'-0"



For Discussion Purposes Only

GOLDEN GATE BRIDGE  
HIGHWAY & TRANSPORTATION DISTRICT  
BOX 9000, PRESIDIO STATION  
SAN FRANCISCO, CA 94129



DESIGN	BY S. HO	CHECKED B. YEE	BO JENSEN PROJECT MANAGER
DRAWN	BY S. HO	CHECKED G. CHEUNG	
QUANTITIES	BY	CHECKED	

REGISTERED CIVIL ENGINEER  
08-18-2017  
PLANS APPROVAL DATE

NO.	REVISIONS	BY	DATE

APPROVED BY  
  
DISTRICT ENGINEER  
DATE

PROJECT TITLE  
**GOLDEN GATE SAUSALITO FERRY TERMINAL IMPROVEMENTS**

SHEET TITLE  
**ELECTRICAL  
NEW WORK – TEMPORARY**

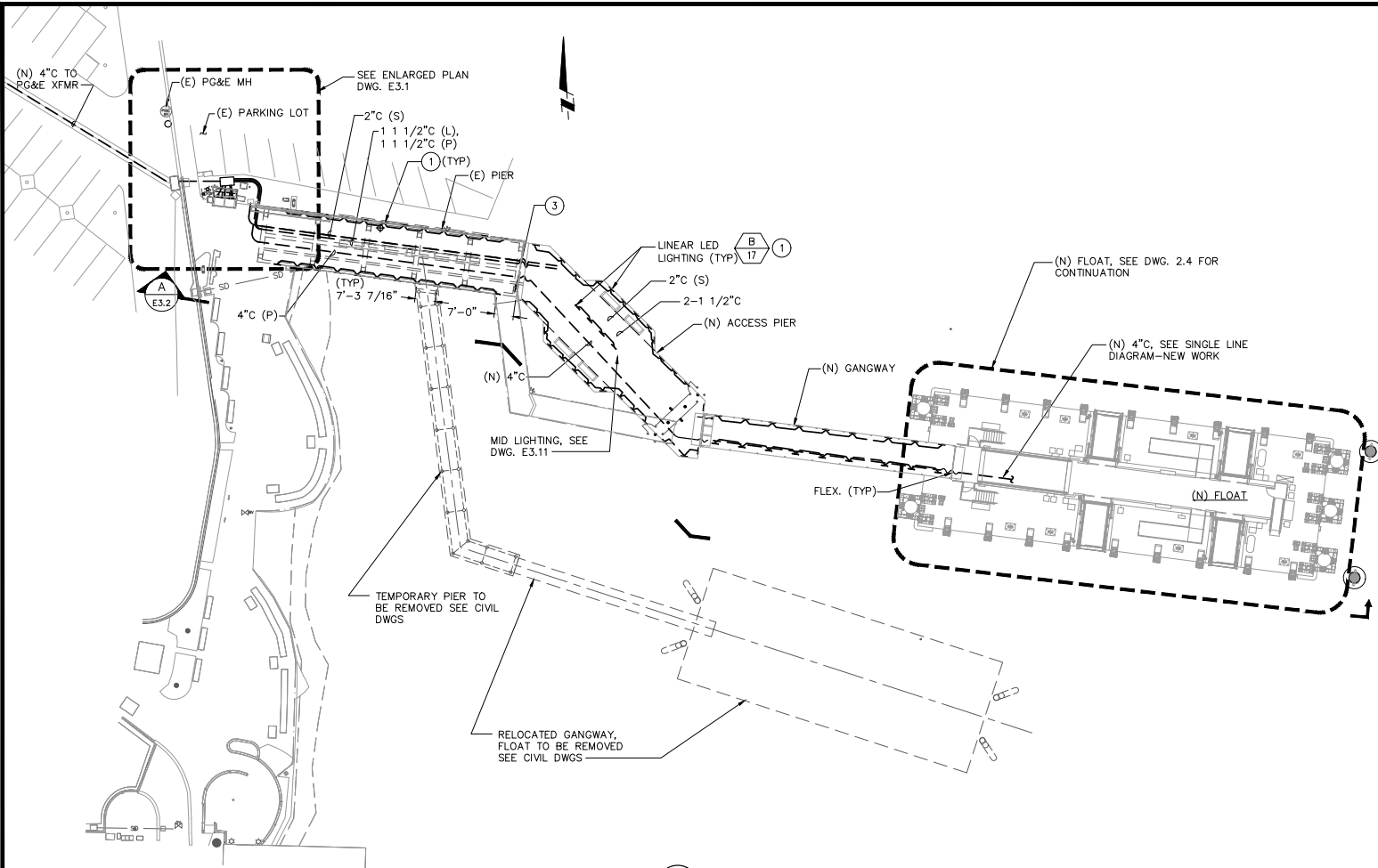


APN 065-073-05 AND APN 065-133-22

IF SHEET IS LESS THAN 22" x 34" IT IS A REDUCED PRINT – SCALE REDUCED ACCORDINGLY.



P:\7038\_GGBD Ferry Terminal\600 Cadd\660 Working\SAUSALITO\CADD\ELECTRICAL\703800\_E2.3 - Standard\703800\_E2.3.dwg Aug 24, 2017 - 1:29pm



**GENERAL NOTES**

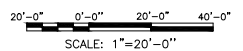
1. ALL CONDUITS SHALL BE PVC COATED RGS.
2. ALL FLEX. CONDUITS SHALL BE LIQUID TIGHT PVC COATED METAL.
3. ALL JB OR PULL BOXES ARE STAINLESS STEEL 316 NEMA 4X.

**SHEET NOTES**

- 1 PROVIDE (N) LED LINEAR LIGHT, SEE DWG. LT01 FOR LIGHTING LAYOUT.

REV. NO.	SHEET NO.	TOTAL SHEETS

**1** GANGWAY FRAMING PLAN - NEW POWER  
E2.3 SCALE: 1"=20'-0"



For Discussion Purposes Only

GOLDEN GATE BRIDGE  
HIGHWAY & TRANSPORTATION DISTRICT  
BOX 9000, PRESIDIO STATION  
SAN FRANCISCO, CA 94129



DESIGN	BY S. HO	CHECKED B. YEE	BO JENSEN PROJECT MANAGER
DRAWN	BY S. HO	CHECKED G. CHEUNG	
QUANTITIES	BY	CHECKED	

REGISTERED CIVIL ENGINEER  
08-18-2017  
PLANS APPROVAL DATE

NO.	REVISIONS	BY	DATE

CONTRACT NO. 2011-B-2  
DRAWING NO. E2.3  
CADD FILE 703800\_E2.3.dwg

APPROVED BY  
  
DISTRICT ENGINEER  
DATE

PROJECT TITLE  
**GOLDEN GATE SAUSALITO FERRY TERMINAL IMPROVEMENTS**

SHEET TITLE  
**ELECTRICAL NEW WORK**



APN 065-073-05 AND APN 065-133-22

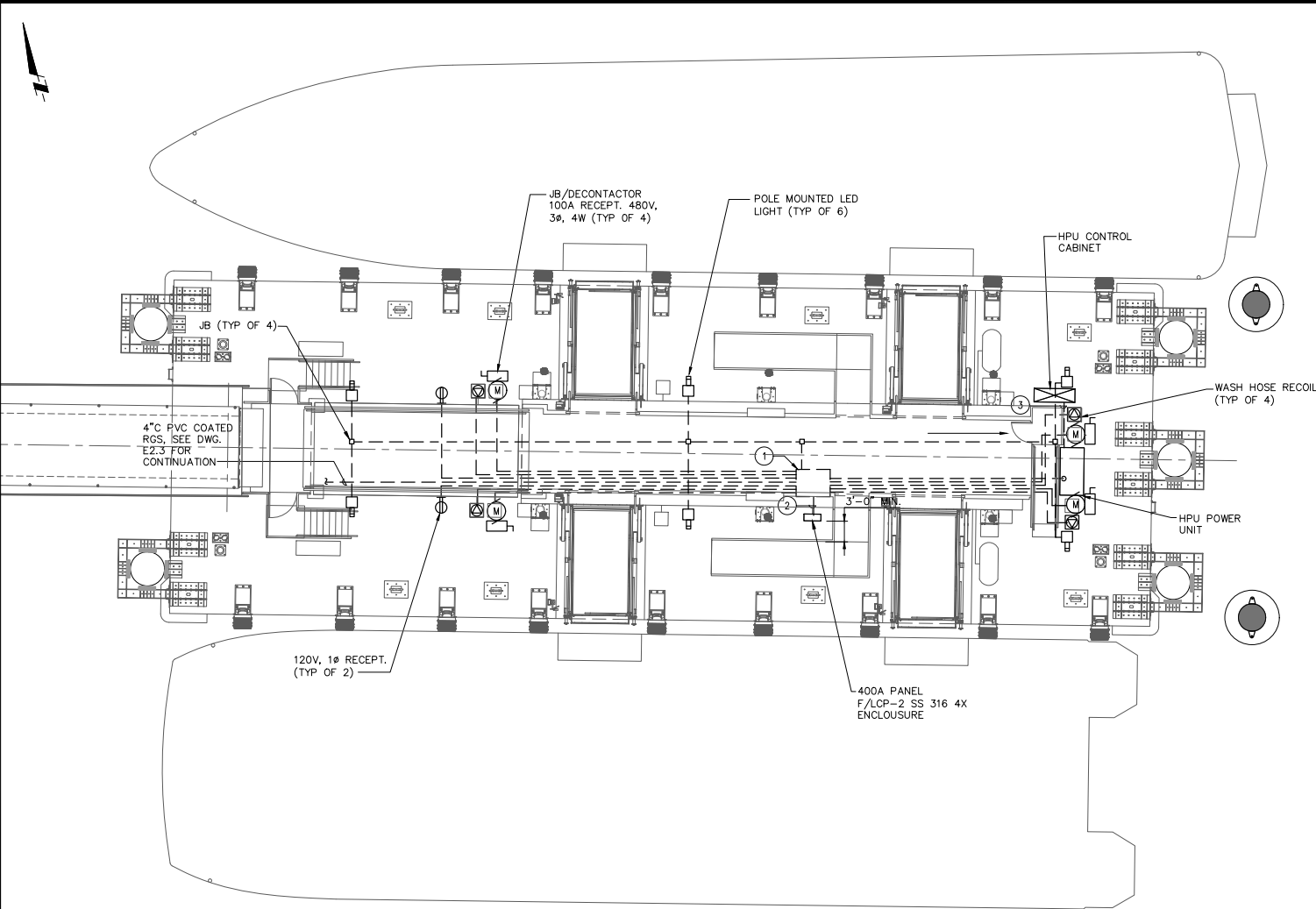
ORIGINAL SCALE IN INCHES	0	1	2	3
--------------------------	---	---	---	---

IF SHEET IS LESS THAN 22" x 34" IT IS A REDUCED PRINT - SCALE REDUCED ACCORDINGLY.

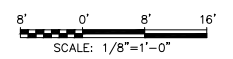
REV. NO.	SHEET NO.	TOTAL SHEETS

**NOTES**

- ① PROVIDE PULL BOX STAINLESS STEEL TYPE 316, 30"x24"x8"H NEMA 4X ENCLOSURE.
- ② 2-4"C, PVC COATED RGS.
- ③ CONDUIT & WIRES BY OTHERS.



**1** ELECTRICAL FLOAT DECK PLAN  
 E2.4 SCALE: 1/8"=1'-0"



P:\7038 GGBD Ferry Terminals\600 Cadd\660 Working\SAUSALITO\CADD\ELECTRICAL\703800\_E2.4.dwg Aug 24, 2017 1:45pm

For Discussion Purposes Only

GOLDEN GATE BRIDGE  
 HIGHWAY & TRANSPORTATION DISTRICT  
 BOX 9000, PRESIDIO STATION  
 SAN FRANCISCO, CA 94129



DESIGN	BY S. HO	CHECKED B. YEE	BO JENSEN PROJECT MANAGER
DRAWN	BY S. HO	CHECKED G. CHEUNG	
QUANTITIES	BY	CHECKED	

2185 N. California Blvd., Suite 500  
 Walnut Creek, CA 94596

REGISTERED CIVIL ENGINEER  
 08-18-2017  
 PLANS APPROVAL DATE

NO.	REVISIONS	BY	DATE

APPROVED BY  
  
 DISTRICT ENGINEER  
 DATE

PROJECT TITLE  
**GOLDEN GATE SAUSALITO FERRY TERMINAL  
 IMPROVEMENTS**

SHEET TITLE  
**ELECTRICAL  
 FLOAT DECK PLAN**



APN 065-073-05 AND APN 065-133-22

ORIGINAL SCALE IN INCHES	0	1	2	3
FOR REDUCED PLANS				

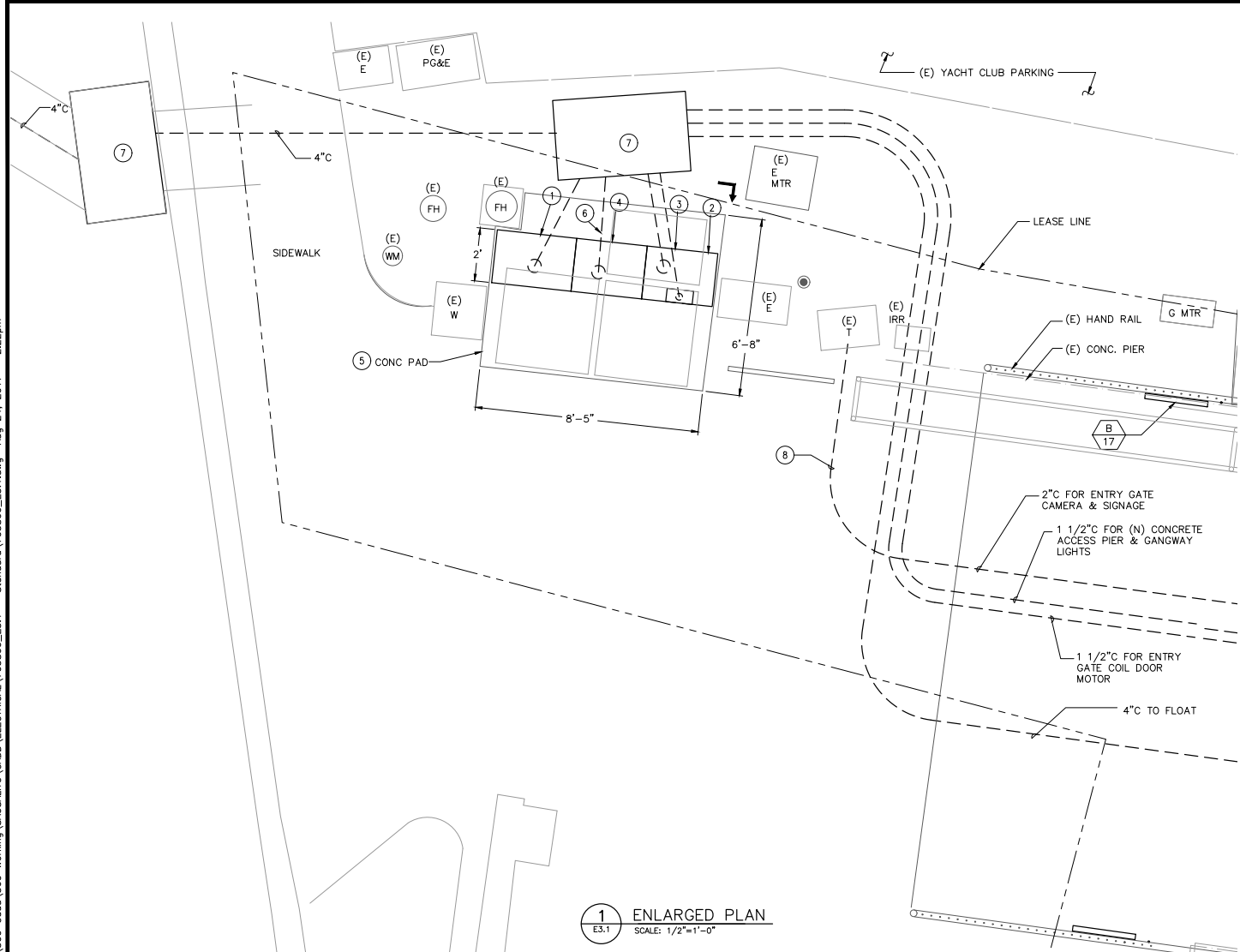
IF SHEET IS LESS THAN 22" x 34" IT IS A  
 REDUCED PRINT - SCALE REDUCED ACCORDINGLY.

CONTRACT NO. 2011-B-2  
 CADD FILE 703800\_E2.4.dwg

REV. NO.	SHEET NO.	TOTAL SHEETS

### SHEET NOTES

- ① 480V, 3Ø, 3W METER SECTION (N).
- ② PANEL M, 480/277V 400A, 3Ø, 3W (N).
- ③ PROVIDE (N) GR1400 BLUE BOX LCP, ENCLOSURE SURFACE MOUNTED NEMA 4 S.S. 316, 277V PROGRAMMING, COMPACT SIZE (12"x18"x6"D) OR EQUAL.
- ④ ATS 480V, 400A, 3Ø, 3W (N).
- ⑤ REMAIN (E) TICKETS MACHINES & FARE TICKETS BOARD
- ⑥ 5"C FOR FUTURE.
- ⑦ PROVIDE 3'X5' PULL BOX (N).
- ⑧ TO (E) TELEPHONE BOX FOR FUTURE SIGNAL CONNECTION.



1 ENLARGED PLAN  
E3.1 SCALE: 1/2"=1'-0"

For Discussion Purposes Only

GOLDEN GATE BRIDGE  
HIGHWAY & TRANSPORTATION DISTRICT  
BOX 9000, PRESIDIO STATION  
SAN FRANCISCO, CA 94129




**moffatt & nichol**  
2185 N. California Blvd., Suite 500  
Walnut Creek, CA 94596

DESIGN	BY S. HO	CHECKED B. YEE	BO JENSEN PROJECT MANAGER
DRAWN	BY S. HO	CHECKED G. CHEUNG	
QUANTITIES	BY	CHECKED	

REGISTERED CIVIL ENGINEER  
08-18-2017  
PLANS APPROVAL DATE

NO.	REVISIONS	BY	DATE

APPROVED BY:   
DISTRICT ENGINEER

DATE: \_\_\_\_\_

PROJECT TITLE	<b>GOLDEN GATE SAUSALITO FERRY TERMINAL IMPROVEMENTS</b>
SHEET TITLE	<b>ELECTRICAL ENLARGED PLAN</b>



ORIGINAL SCALE IN INCHES	0	1	2	3
FOR REDUCED PLANS				

IF SHEET IS LESS THAN 22" x 34" IT IS A REDUCED PRINT - SCALE REDUCED ACCORDINGLY.

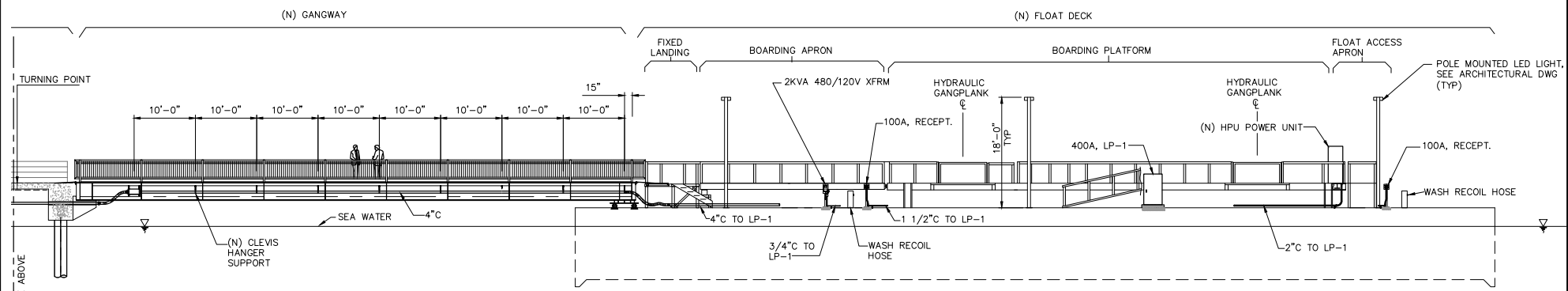
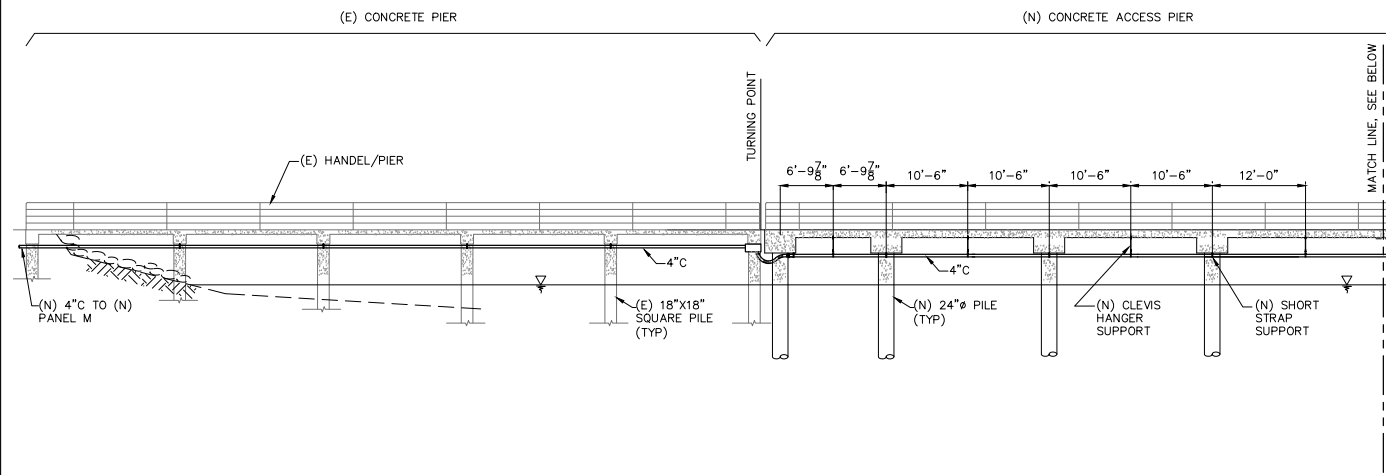
CONTRACT NO. 2011-B-2  
DRAWING NO. E3.1  
CADD FILE 703800\_E3.1.dwg

P:\7038\_GGBD\_Ferry\_Terminals\600\_Cadd\660\_Working\SAUSALITO\CADD\ELECTRICAL\703800\_E3.1 - Standard\703800\_E3.1.dwg Aug 24, 2017 - 2:22pm

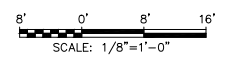
REV. NO.	SHEET NO.	TOTAL SHEETS

**GENERAL NOTES**

1. ALL CONDUITS SHALL BE PVC COATED RGS CONDUIT.
2. ALL FLEXIBLE LIQUID TIGHT STEEL CONDUIT SHALL BE PVC COATED.
3. ALL STRAPS, SCREWS, BOLTS, NUTS & WASHERS SHALL BE STAINLESS STEEL 316.



1 (E) CONCRETE PIER, EXTENSION (N) CONCRETE PIER, GANGWAY & FLOAT DECK ELEVATION  
 E3.2 SCALE: 1/8"=1'-0"



For Discussion Purposes Only

GOLDEN GATE BRIDGE  
 HIGHWAY & TRANSPORTATION DISTRICT  
 BOX 9000, PRESIDIO STATION  
 SAN FRANCISCO, CA 94129



DESIGN	BY S. HO	CHECKED B. YEE	BO JENSEN PROJECT MANAGER
DRAWN	BY S. HO	CHECKED C. CHEUNG	
QUANTITIES	BY	CHECKED	

REGISTERED CIVIL ENGINEER  
 08-18-2017  
 PLANS APPROVAL DATE

NO.	REVISIONS	BY	DATE
CONTRACT NO. 2011-B-2		DRAWING NO. E.3.2	
CADD FILE 703800_E3.2.dwg		DATE	

APPROVED BY  
 DISTRICT ENGINEER

PROJECT TITLE  
**GOLDEN GATE SAUSALITO FERRY TERMINAL IMPROVEMENTS**

SHEET TITLE  
**ELECTRICAL PIER ELEVATION**



P:\7038\_GGBD\_Ferry\_Terminals\600\_Cadd\660\_Working\SAUSALITO\CADD\ELECTRICAL\703800\_E3.2(NEW) - Standard\703800\_E3.2(NEW).dwg Aug 24, 2017 - 2:16pm

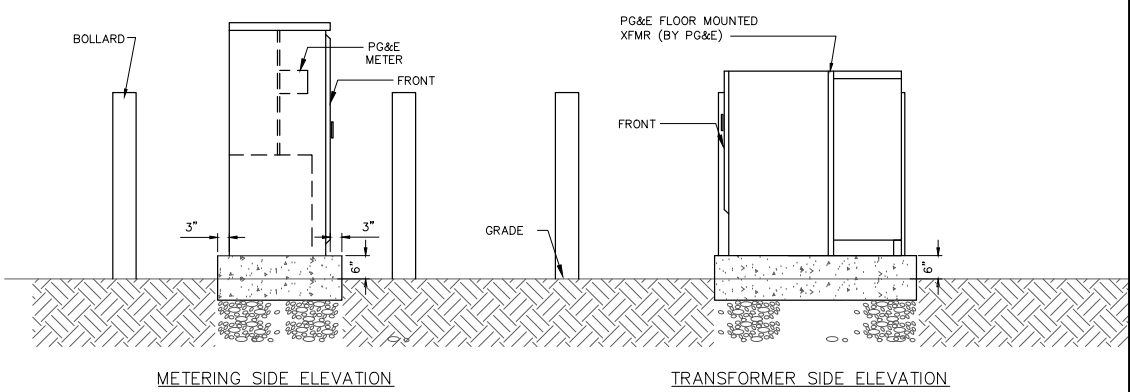
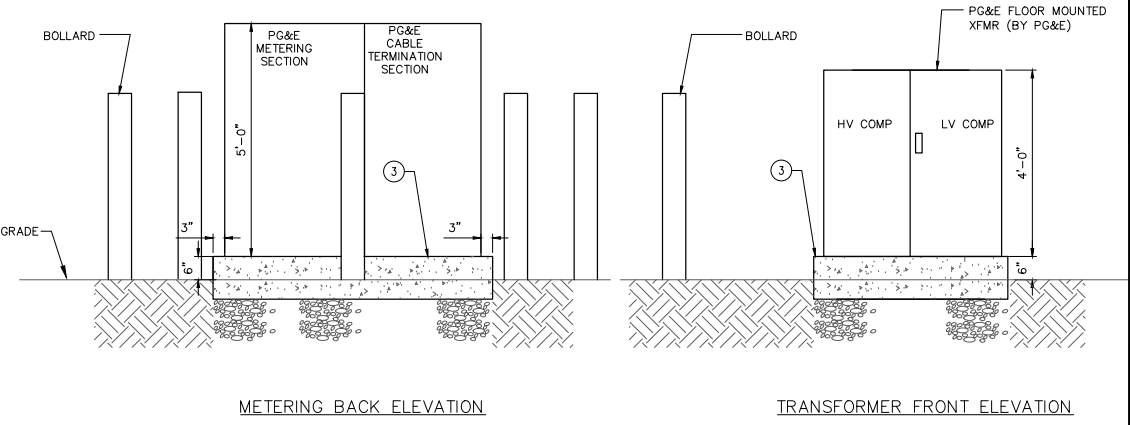
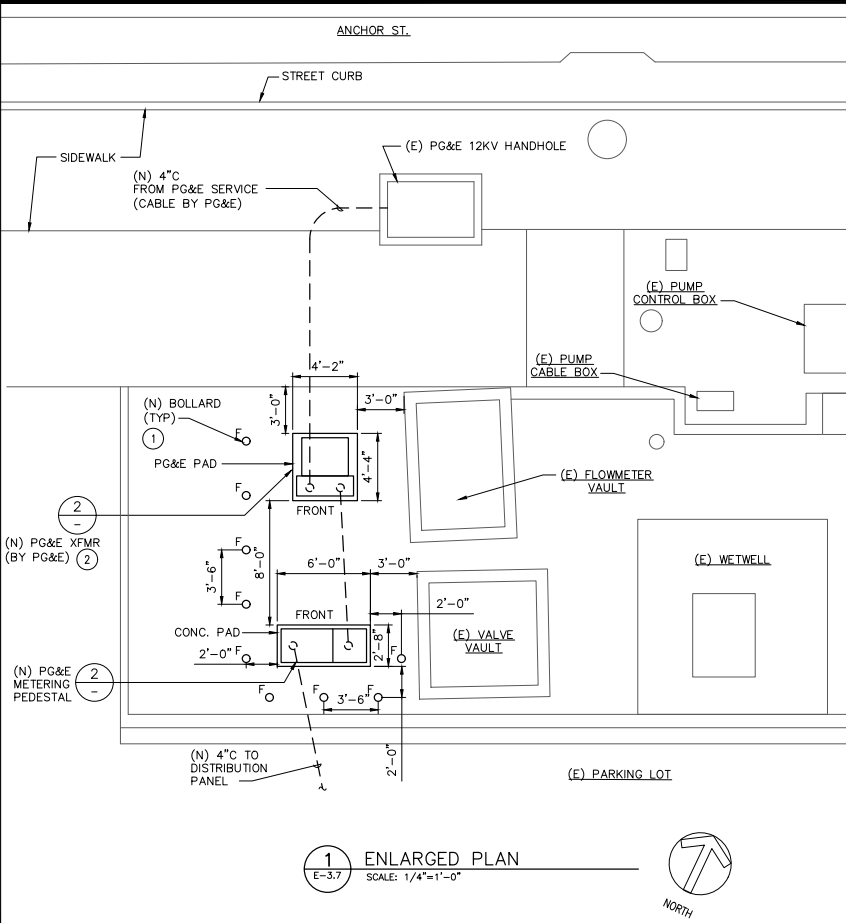
APN 065-073-05 AND APN 065-133-22

ORIGINAL SCALE IN INCHES	0	1	2	3
FOR REDUCED PLANS				

IF SHEET IS LESS THAN 22" x 34" IT IS A REDUCED PRINT - SCALE REDUCED ACCORDINGLY.

P:\7038\_GGBD Ferry Terminals\600 Cadd\600 Working\SAUSALITO\CADD\ELECTRICAL\703800\_E3.7.dwg Aug 24, 2017 1:35pm

REV. NO.	SHEET NO.	TOTAL SHEETS



**GENERAL NOTES**

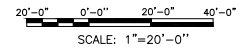
- ALL CONDUITS SHALL BE PVC COATED RGS.
- ALL FLEX. CONDUITS SHALL BE LIQUID TIGHT PVC COATED METAL.
- ALL JB OR PULL BOXES ARE STAINLESS STEEL 316 NEMA 4X.

**SHEET NOTES**

- PROVIDE FIXED (F) OR REMOVABLE (R) BOLLARDS AS INDICATED ON DWG.
- PROVIDE STRIPING 8'-FEET IN FRONT AND 3'-FEET ON SIDES AND REAR OF TRANSFORMER FOR PG&E CLEAR WORKING SPACE.
- PROVIDE PG&E APPROVED TRANSFORMER PAD-BOX 360003.

**2 PG&E EQUIPMENT DETAIL**  
SCALE: 3/8"=1'-0"

For Discussion Purposes Only



GOLDEN GATE BRIDGE  
HIGHWAY & TRANSPORTATION DISTRICT  
BOX 9000, PRESIDIO STATION  
SAN FRANCISCO, CA 94129



DESIGN	BY S. HO	CHECKED B. YEE	BO JENSEN PROJECT MANAGER
DRAWN	BY S. HO	CHECKED G. CHEUNG	
QUANTITIES	BY	CHECKED	

REGISTERED CIVIL ENGINEER  
08-18-2017  
PLANS APPROVAL DATE

NO.	REVISIONS	BY	DATE
CONTRACT NO. 2011-B-2		DRAWING NO. E.3.7	
CADD FILE 703800_E3.7.dwg		DATE	

APPROVED BY  
DISTRICT ENGINEER

PROJECT TITLE  
**GOLDEN GATE SAUSALITO FERRY TERMINAL IMPROVEMENTS**

SHEET TITLE  
**ELECTRICAL  
NEW PIER  
XFMR PLAN SECTION & DETAIL**



APN 065-073-05 AND APN 065-133-22

IF SHEET IS LESS THAN 22" x 34" IT IS A REDUCED PRINT - SCALE REDUCED ACCORDINGLY.