



# KALLAWAY } DESIGN

181 Carlos Drive  
San Rafael, CA 94903  
415 479 5075  
FAX 415 479 5079

S P A C E P L A N N I N G

INTERIOR DESIGN

October 30, 2009

Sausalito Public Safety Building  
Sausalito Police Department  
29 Caledonia Street  
Sausalito California 94965

---

Plan Code	T-10
Manufacturer	Tropitone
Name	Patterned Aluminum Table
Number	1876 SBU ALM
Description	Boulevard Pattern, Square Umbrella Table
Finish	Aluminum Metallic
Size	36" square, 27" ht.
Quantity	1
Location	Patio Rm 217
Manuf Rep:	Elite Ideas 949 645 6161 , <a href="mailto:eliteideas@aol.com">eliteideas@aol.com</a> , Tami Cooley

S P A C E P L A N N I N G

INTERIOR DESIGN

October 30, 2009

Sausalito Public Safety Building  
Sausalito Police Department  
29 Caledonia Street  
Sausalito California 94965

---

Plan Code	C-15
Manufacturer	Tropitone
Name	Dining Chair South Beach EZ Span
Number	230524 RB ALM DRW
Description	Ribbon Segment EZ Span
Size	32"h 26.5" w 25.5" d, arm ht. 24.5"
Finish	Frame Finish: Aluminum Metallic ( ALM) EZ Span Segment color: Driftwood ( DRW)
Quantity	4
Location	Patio Rm 217

# KALLAWAY } DESIGN

181 Carlos Drive  
San Rafael, CA 94903  
415 479 5075  
FAX 415 479 5079

S P A C E P L A N N I N G

INTERIOR DESIGN

October 30, 2009

Sausalito Public Safety Building  
Sausalito Police Department  
29 Caledonia Street  
Sausalito California 94965

---

Plan Code	UM-2
Manufacturer	Tropitone
Name	Portofino II Umbrella and base
Number	QH007 MS
Description	Hexagon Shape- 7 Ft. span Manual lift, 1.5" pole, aluminum
Color	#5468 Camel ( Beige/Tan)
Base	Cement Filled Aluminum
Number:	CFA 2015 T
Size	20" dia., 9" sleeve
Finish	Aluminum Metallic ( ALM), 100 % rustproof
Quantity	1
Location	Patio

# KALLAWAY } DESIGN

S P A C E P L A N N I N G

INTERIOR DESIGN

181 Carlos Drive  
San Rafael, CA 94903  
415 479 5075  
FAX 415 479 5079

October 30, 2009

Sausalito Public Safety Building  
Sausalito Police Department  
333 Johnson Street  
Sausalito California 94965

---

Plan Code	PL-1
Manufacturer	Planter Technology
Name	Sea Crest Series
Number	SS 3822
Description	Lightweight Planters with built in Irrigation ( refill water reservoir every 2-4 weeks) Low density polyethylene, lightly pebble finish.
Size	38" w x 22" h
Color	Canyon
Option	Exterior drainage adapter
Manuf Rep	1 800 542 2282 , <a href="http://www.plantertechnology.com">www.plantertechnology.com</a>
Quantity	2
Location	Patio Rm 217

October 30, 2009

Sausalito Public Safety Building  
 Sausalito Fire Department  
 333 Johnson Street  
 Sausalito California 94965

Furniture Specifications

---

Plan Code D-1  
 Manufacturer Steelcase  
 Name Context  
 Description Left handed return U shape Workstation with Jetty bullet table desk, straight return, credenza with pedestal and overhead storage, task light, wood worktops  
 Components X1MR24605 Core Unit-Corner  
 24 x 24 x 60 x 48  
 Options: pass thru and cutouts  
 XI AI 24242 Straight corner unit  
 XI DL 24660 Jetty table 24 x 30 x 48 x 66  
 Options: pass thru and cutouts  
 X3 FOOO 483 Screen Core mtd. 20 x 48 RT  
 X3 DOOO 728 Screen Core mtd. straight 20x 72  
 XBB48 Single door overhead cab.  
 Option: with dividers  
 XBB72 Double Door overhead cab.  
 Option: with dividers  
 (2) LSM 48 KFD 48" Under Shelf Light, painted to match wk. station  
 LS1 FSC Daisy Chain Starter Cord  
 RPF 1827AP 18 3/8 x15x 27" 2 Box 1 File dr. ped. Lock,  
 2- RXA DR L15 Rails, pull option  
 RPX DPT Pencil Tray  
 2- RDV1506 Dividers  
 4- Lock 9201 Cylinder locks  
  
 Quantity: 1 workstation  
 Location: Captain Rm. 205

October 30, 2009

Sausalito Public Safety Building  
 Sausalito Fire Department  
 333 Johnson Street  
 Sausalito California 94965

Furniture Specifications

Plan Code D-2  
 Manufacturer Steelcase  
 Name Context  
 Description Right handed return U shape Workstation with Jetty bullet table desk, straight return, right credenza with pedestal overhead storage, task light, wood worktops  
 Components X1NL24608 Core Unit-Corner  
 24 x 24 x 60 x 48  
 Options: pass thru and cutouts  
 XI AI 24242 Straight corner unit  
 XI DR 24668 Right hand Jetty table 30x24x66x48  
 Options: pass thru and cutouts  
 X3 E000 482 Screen Core mtd. 20 x 48" LT  
 X3 D000 728 Screen Core mtd. straight 20x 72  
 XBB48 Single door overhead cab. 48 Single door with dividers  
 Option: with dividers  
 XBB72 Double Door overhead cab. with dividers  
 Option: with dividers  
 (2)LSM 48 KFD 48" Under shelf Light, painted to match wk. station  
 LS1 FSC Daisy Chain Starter Cord  
 RPF 1827AP 18 3/8 x15x 27" 2 Box 1 File dr. ped. Lock,  
 2- RXA DR L15 Rails, pull option  
 RPX DPT Pencil Tray  
 2- RDV1506 Dividers  
 4- Lock 9201 Cylinder locks  
  
 Quantity: 1  
 Location: Rm. 204 Chief's office

October 30, 2009

Sausalito Public Safety Building  
 Sausalito Fire Department  
 333 Johnson Street  
 Sausalito California 94965

Furniture Specifications

---

Plan Code D-3  
 Manufacturer Steelcase  
 Name Context  
 Description Left handed return U shape Workstation with Left Ped. Desk with pedestal, straight return, right credenza unit with pedestal overhead storage, screens, task lights, wood worktops  
 Components X1MR32727 Left Core Unit-Corner  
 30" LH 24" R x 72 x 48  
 Options: pass thru and cutouts  
 XI AI 24 24 2 Straight corner unit 24 x 24  
 X1 NL 24 72 5 Core Unit 24" LH, RH 72 x 48  
 Options: pass thru and cutouts  
 X3 FOOO 483 Screen Core mtd. 20 x 48 LF  
 X3 FOOO 720 Screen Core mtd. straight 20 x 72 RT  
 XBB48 Single door overhead cab.  
 Option: with dividers  
 XBB72 Double Door overhead cab.  
 Option: with dividers  
 LSM 48 KFD 48" Under shelf Light, painted to match wk. station  
 LS1FSC Daisy Chain Starter Cord  
 RPF 1827AP 18 3/8 x 15 x 27" 2 Box 1 File dr. ped. Lock,  
 RPF 1827- BP 2 File Dr.  
 (6) - RXA DR L15 Rails, pull option  
 RPX DPT Pencil Tray, (2) - RDV1506 Dividers, (4) - Lock 9201 Cylinder lock  
  
 Quantity: 1 workstation  
 Location: Captain Rm. 205



October 30, 2009

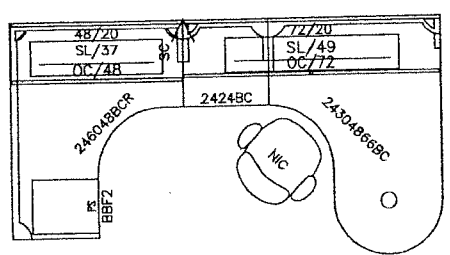
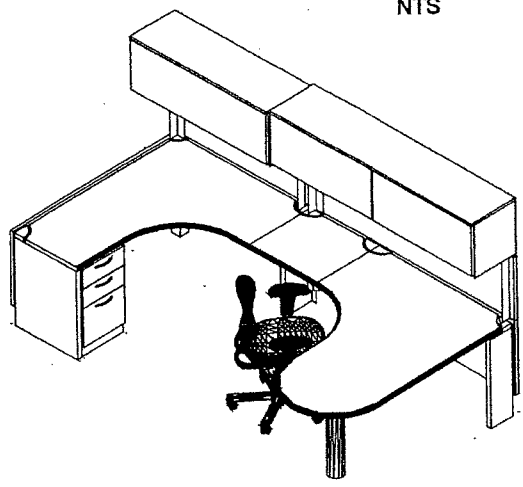
Sausalito Public Safety Building  
 Sausalito Fire Department  
 333 Johnson Street  
 Sausalito California 94965

Furniture Specifications

---

Plan Code D-4  
 Manufacturer Steelcase  
 Name Context  
 Description Straight Worktops, L Shape, pedestals, overhead storage, task lights, wood worktops  
 Components X1AL 24540 Core Unit Straight 24 x 54"  
 X1 AR 24548 Core Unit Straight 24 x 54"  
 XI AR 24603 Core Unit Straight 24 x 48"  
 XI AR 24483 Core Unit Straight 24 x 60"  
 Options: pass thru and cutouts  
 X3 DOOO 601 Screen Core mtd. corner right hand, 20 x 60  
 X3 DOOO 481 Screen Core mtd. straight 20x 48  
 XBB54 Double Door overhead cab.  
 Option: with dividers  
 XBB48 Double Door overhead cab.  
 Option: with dividers  
 LSM 48 KFD 48" Under Shelf Light, painted to match wk. station  
 No Daisy Chain Starter Cord needed per Steelcase  
 (2) RPF 1827AP 18 3/8 x15x 27" 2 Box 1 File dr. ped. Lock  
 (2) RPF 1827 BP, 2 Files, Lock  
 (4) - RXA DR L15 Rails, pull option  
 (2) RPX DPT Pencil Tray  
 (4) - RDV1506 Dividers  
 (4) Locks- 9201 Cylinder locks  
 Note: See floor plan for location of worktops and overheads so there is not a conflict with the windows and coloum in the south west corner.  
 Quantity: 1 workstation  
 Location: Fire Marshall, Project Mgr. Rm. 207

ISOMETRIC VIEW  
NTS



TYPICAL D1  
SCALE 1/4" = 1'

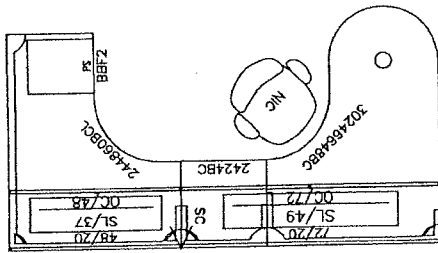
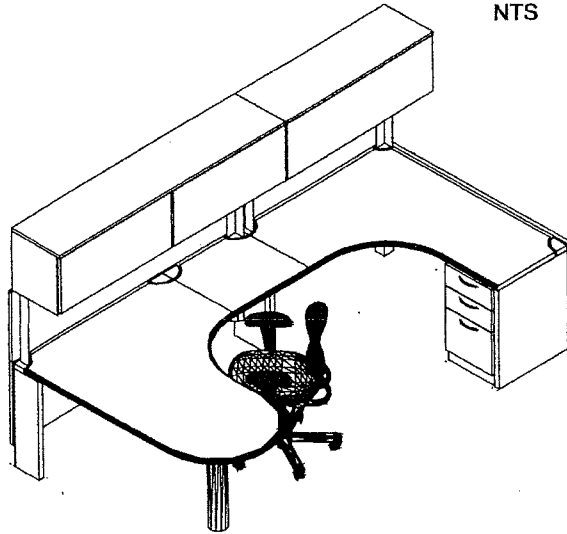
CLIENT APPROVAL
CONTACT: _____
DATE: _____

TYPICALS	rev.	date	description
scale	1	10/14/09	
date			
project no.			
designer			
sales representative			
sheet no. of 4			

**CAPTAIN RM 205 - D1**  
SAUSALITO FIRE DEPARTMENT

**ruckerfuller**  
333 Pine Street - Suite 100 - San Francisco, CA - 94104 t (415) 445-3009 f (415) 445-3001 www.ruckerfuller.com

ISOMETRIC VIEW  
NTS



TYPICAL D2  
SCALE 1/4" = 1'

CLIENT APPROVAL
CONTACT: _____
DATE: _____

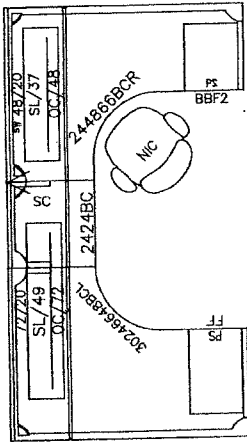
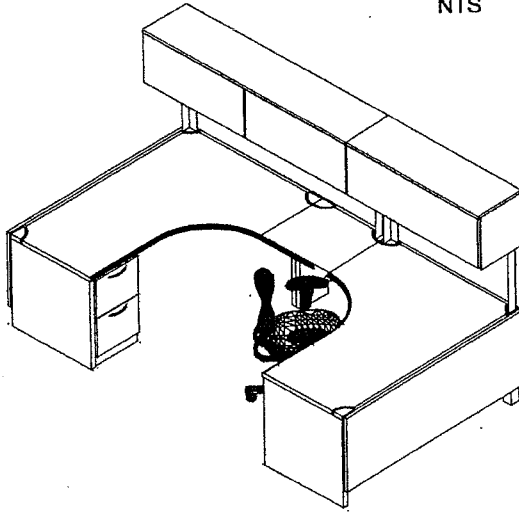
TYPICALS	rev.	date	description
scale	1/4" = 1'	10/14/09	by: / /
date	10/14/09	2	by: / /
project no.	71649	3	by: / /
designer	MS	4	by: / /
sales representative	LR	5	by: / /
sheet no. of 4	F1		

<sup>12</sup>  
**CHEIF RM 204 - D2**  
SAUSALITO FIRE DEPARTMENT

**ruckerfuller**

333 Pine Street - Suite 100 - San Francisco, CA, 94104 t (415) 445.3009 f (415) 445.3001 www.ruckerfuller.com

ISOMETRIC VIEW  
NTS



TYPICAL D3  
SCALE 1/4" = 1'

CLIENT APPROVAL
CONTACT: _____
DATE: _____

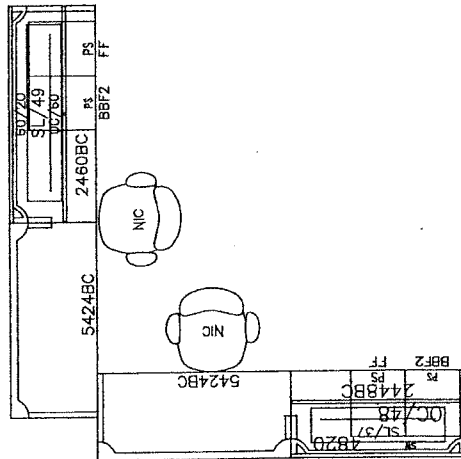
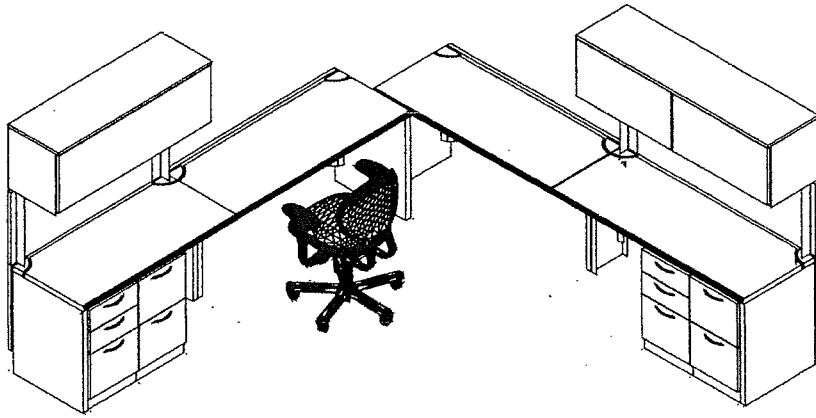
TYPICALS		rev.	date	description
scale	1/4" = 1'	1	10/14/09	PRELIMINARY TYPICALS
date	10/14/09	2	10/20/09	REV. TYPICALS
project no.	71649	3		by: MS
designer	MS	4		by: LR
sales representative	LR	5		by: LR
sheet no. of	4			
<b>F1</b>				

**LIEUTENANT RM 202 - D3**  
SAUSALITO FIRE DEPARTMENT



333 Pine Street - Suite 100 - San Francisco, CA 94104 T (415) 445.3009 F (415) 445.3001 www.ruckerfuller.com

ISOMETRIC VIEW  
NTS



TYPICAL D4  
SCALE 1/4" = 1'

CLIENT APPROVAL
CONTACT: _____
DATE: _____

TYPICALS	
scale	1/4" = 1'
date	10/14/09
project no.	71649
designer	MS
sales representative	LR
sheet no.	F1
of	4

rev.	date	description
1	10/14/09	PRELIMINARY TYPICALS b.y.
2	10/20/09	REV. TYPICALS b.y:MS
3	10/22/09	REV TYPICALS b.y:MS
4		l / b.y:
5		l / b.y:

**FIRE MARSHALL RM 207 - D4**  
SAUSALITO FIRE DEPARTMENT

**ruckerfuller**

333 Pine Street - Suite 100 - San Francisco, CA - 94104 t (415) 445-3009 f (415) 445-3001 www.ruckerfuller.com

October 30, 2009

Sausalito Public Safety Building  
Sausalito Fire Department  
333 Johnson Street  
Sausalito California 94965

Furniture Specifications

---

Plan Code	LF-1
Manufacturer	Steelcase
Name	Universal
Number	RLF 18 363 P
Description	3- 12" high lateral file drawers
Size:	18 7/8" d 36" w 40" h
Options	Counterweight package #3 RAA CW3 Hanging Folder RAHF36 Rails 800 RW Veneer Wood Tops Finish: to match D-1-D-4
Quantity	2
Location	Rm 201 Admin. Reception

S P A C E P L A N N I N G

INTERIOR DESIGN

October 30, 2009

Sausalito Public Safety Building  
Sausalito Fire Department  
333 Johnson Street  
Sausalito California 94965

Furniture Specifications

---

Plan Code	LF-2
Manufacturer	Steelcase
Name	Universal
Number	RLF 18 362 P
Description	2- 12" high lateral file drawers
Size:	18 7/8" d 36" w 28" h
Options	Counterweight package #4 RAA CW4 Hanging Folder RAHF36 Rails 800 RW Veneer Wood Tops Finish: to match D-1-D-4
Quantity	3
Location	Rm 204, Chief, Rm. 205 Captain, Rm. 202 Lieutenant

October 30, 2009

Sausalito Public Safety Building  
Sausalito Fire Department  
333 Johnson Street  
Sausalito California 94965

Furniture Specifications

---

Plan Code D-1-D-4  
Manufacturer Steelcase  
Name Context Workstations and Universal Files  
Description Finishes  
Paint: Mineral Metallic 4743  
Corner Paint: 6681 Grotto  
Port and Screen Socket paint: 6681 Grotto  
Screen Fabric: Ballata G 234  
Option 1 as specified: Wood Tops: 35 92 open pore- natural veneer, flat cut  
Blonde on Maple  
Option 2 – alternate Plastic Laminate Wood Tops: Blonde on Maple 2592  
Pulls on Pedestals and lateral files: 9212 Silver

Note: For D-1- D-4 Context workstations, KD specifications are for design intent only, final components to be verified by Furniture Contractor with Steelcase for proper components/connecting parts and installation. Furniture Contractor to verify components with the floorplan layout.

Note: Successful Furniture Contractor to verify which core components of workstations D-1-D-4 need pass thrus and cutouts to access building wall elec. and data per Glass Architects power and signal plan, EF 3.3.

Note- see pg. 39 of specifications for an added LF-4



S P A C E P L A N N I N G

INTERIOR DESIGN

October 30, 2009

Sausalito Public Safety Building  
Sausalito Fire Department  
333 Johnson Street  
Sausalito California 94965

Furniture Specifications

---

Plan Code C-2  
Manufacturer KI  
Name Peretti Sled Base Flex Arm chair, non stacking  
Number PSSFAUMZ PMZSSG  
Description Sled Base Flex arm chair backrest tilt tension varies automatically based on  
Occupant weight and is governed by the seat lever mechanism, non stacking  
Frame color: MZ Moss  
Seat and Back color: MZ Moss  
Arm rests Standard Black  
Glides: Stainless Steel

Upholstery: COM  
Manufacturer Arc Com  
Name Etc  
Number AC69275  
Color Bark #16  
Content 100% Solution Dyed Nylon  
Finish Acrylic Backing with Nanotex Stain Resistant finish  
Width 54"  
Repeat 5 1/4" H 3 3/4" v

Quantity 16  
Location EOC Rm. 102  
Manuf. Rep: 415 252 0943 Chelsea Quick Chelsea.quick@ki.com

S P A C E P L A N N I N G

INTERIOR DESIGN

October 30, 2009

Sausalito Public Safety Building.  
 Sausalito Fire Department  
 333 Johnson Street  
 Sausalito California 94965

Furniture Specifications

---

Plan Code	C-3
Manufacturer	KI
Name	Peretti Sled Base Stack chair
Number	PSSNAUMZPMZ SSG
Description	Sled Base Flex backrest tilt tension varies automatically based on Occupant weight and is governed by the seat lever mechanism, stacking Spring loaded ganging device concealed under seat
Frame color:	MZ Moss
Seat and Back color:	MZ Moss
Arm Rest	Standard Black
Glides:	Stainless Steel
Upholstery:	COM
Manufacturer	Arc Com
Name	Etc
Number	AC69275
Color	Bark #16
Content	100% Solution Dyed Nylon
Finish	Acrylic Backing with Nanotex Stain Resistant finish
Width	54"
Repeat	5 14" H 3 3/4" v
Quantity	16
Location	EOC Storage Rm. 103

S P A C E P L A N N I N G

INTERIOR DESIGN

October 30, 2009

Sausalito Public Safety Building  
Sausalito Fire Department  
333 Johnson Street  
Sausalito California 94965

Furniture Specifications

---

Plan Code CT-1  
Manufacturer KI  
Name Transport Dolly  
Number MVP. BL  
Description 5" casters, 2 fixed 2 swivel, for stack chairs C- 3  
Size: 22 1/2" x 25 1/2" 12" h  
Storage On dolly- floor space needed: 22" x 35"  
Dolly stacks 8 upholstered chairs @ 60" h.

Quantity 2  
Location EOC Storage, Rm.103

S P A C E P L A N N I N G

INTERIOR DESIGN

October 30, 2009

Sausalito Public Safety Building  
Sausalito Fire Department  
333 Johnson Street  
Sausalito California 94965

Furniture Specifications

---

Plan Code C-4  
Manufacturer KI  
Name Cinturon Task Chair  
Number 1126/9- 1404 BMT FR  
Description Cinturon High Back upholstered Arm Task chair, wood arm cap, hooded casters  
Upholstered in Faux leather

Upholstery KI Mouchette Grade F Faux leather  
Number:1404 Concrete ( warm tan/ grey color)  
Number: MMA Kensington Maple stain on Beech arm cap  
Number: 9 Matte Black Base  
Number: FR Fire Retardant

Quantity 3  
Location Chief Rm 204, Captain Rm 205, Lieutenant Rm. 202

October 30, 2009

Sausalito Public Safety Building  
 Sausalito Fire Department  
 333 Johnson Street  
 Sausalito California 94965

Furniture Specifications

Plan Code C-5  
 Manufacturer KI  
 Name Impress Ultra Task Chair- High Back  
 Number K178/JR 30 NF SLD BL 1 FSD C  
 Description Back is Black Mesh, Seat slide -without Back adjustment  
 Arm 360 degree pivot, molded urethane arm cap pivots and locks in place  
 Arm cap is black. 3" ht. adjustment, 3" width adjustment, no memory foam  
 Casters Carpet casters

Upholstery KI Grade 1  
 Name: Foundation Gr. 1  
 Color: 1F SD Sediment ( Grey Brown)  
 Content: 100% Polyester  
 Finish: " Blockade" stain resistant finish

Quantity 5  
 Location Admin. Rm 201, ( 2) Fire Marshall Rm 207, Dayroom, Rm 212, Rm. 118 Radio  
 Communication

S P A C E P L A N N I N G

INTERIOR DESIGN

October 30, 2009

Sausalito Public Safety Building  
Sausalito Fire Department  
333 Johnson Street  
Sausalito California 94965

Furniture Specifications

---

Plan Code C-6  
Manufacturer KI  
Name Peretti Sled Base Flex Arm chair, non stacking  
Number PSS FAUCFPCF SSG  
Description Sled Base Flex armchair backrest tilt tension varies automatically based on  
Occupant weight and is governed by the seat lever mechanism, non stacking  
Frame color: Café Au Lait  
Seat and Back color: Café Au Lait  
Arm cap: Black- standard  
Size: 23" w 21 1/2" d , top of arm to floor: 25 1/2"  
Glides: Stainless Steel, per KI quotation dated 10-23-09, stainless steel glides are  
recommended for carpet and linoleum

Upholstery: COM  
Manufacturer Architex  
Name Follow Me  
Color Ravensara  
Content 69% Polyester, 31% Rayon  
Finish Crypton  
Width 54"  
Repeat 7.25 H 6.875 V

Quantity 15  
Location (10) Rm 212 Dayroom, (5) Dorms Rms. 217-221

S P A C E P L A N N I N G

INTERIOR DESIGN

October 30, 2009

Sausalito Public Safety Building  
Sausalito Fire Department  
333 Johnson Street  
Sausalito California 94965

Furniture Specifications

---

Plan Code ST-1  
Manufacturer KI  
Name Rapture Café Stool, uphol. no arms  
Number SRAPNAUBCFPCFSSG ( COM uphol)  
Description Four Leg Armless Café Stool, Field replaceable seat and back  
Frame Color Café Au Lait  
Seat and Back Color Café Au Lait  
Glides Stainless Steel

Upholstery COM  
Manufacturer Architex  
Color Ravensara  
Content 69% Polyester, 31% Rayon  
Finish Crypton  
Width 54"  
Repeat 7.25 H 6.875 V  
Content 69% Polyester, 31% Rayon  
Finish Crypton  
Width 54"  
Repeat 7.25 H 6.875 V

Quantity 3  
Location Rm 212, Dayroom

October 30, 2009

Sausalito Public Safety Building  
 Sausalito Fire Department  
 333 Johnson Street  
 Sausalito California 94965

Furniture Specifications

Plan Code D-5  
 Manufacturer Creative Wood  
 Name Finn Reception Station- per Halsey quotation #105, dated 10-05-09  
 Description U shape Workstation, curved front, curved transaction shelf at desk, desk  
 worktop, return, credenza, box box file ped in desk, 2 lateral file drawers in  
 credenza  
 Components RS 3084 40 FR Right Handed Finn Shell  
 R24 72 40 RRX Return Shell- Right  
 R 24 60 40 C special so same length as Finn shell, Creative Wood to confirm this  
 Dimension  
 FS D24 28" High pedestal 2 box 1 file dr.  
 FS HH 1929 Hinged doors  
 (5) T-1 BC Pulls- Brushed Chrome  
 FCT 12 72 R W 2A Fin Counter Top Right, wood 2A Platform edge, plastic  
 laminate inset worktop  
 Transaction Counter- Option 1 – Wood edge with Plastic laminate top inset  
 Option 2- Stone top  
 Option3 - Glass top  
 Wood Veneer Front: standard book matched veneers  
 Finish: Maple, #9.01 Natural Maple  
 Option 1: Inlay horizontal reveal # 318 Luma Steel  
 Alternate Option 2: Black reveal  
 Inset Base: Standard Ebony ( black) recessed toe kick  
 Note: Dealer to provide price with options 1, then alternate adds option 2 or 3  
 Quantity: 1, Location: Rm. 201 Reception Desk  
 Manuf. Rep: Raissa @ Halsey Group 415 788 5313



**Quotation SAUSALITO FIRE DEPT**

**Date:** 10/5/2009 **The Halsey Group**  
 811 Sansome St.  
 san Francisco, CA 94111

**To:** EILEEN KALLAWAY  
 KALLAWAY DESIGN **415-788-5313**  
**415-788-2726 Fax**  
**raissa@halseygroup.com**

**Fax:**

**Project Name:**  
**From:** Raissa Sarantschin **Discount:**  
**Manufacturer:** Creative Wood  
**Lead Time:**

QT	MODEL NUMBER	DESCRIPTION	LIST \$ EACH	EXT LIST \$
<b>RECEPTION STATION</b>				
1	RS-3084-40-FR	FIN RIGHT RECEPTION FRONT WITH RECESSED WOOD TOE KICK 30"X72"X 40"h	\$7,629	\$7,629
1	R-2472-40-RRX	RECEPTION RETURN 24"X72"X 40"h WITH RECESSED WOOD TOE KICK	\$2,283	\$2,283
1	R-2460-40-RR	RIGHT RETURN SHELL 24"X60"X 40"h RECESSED TOE KICK ON OUTSIDE END PANEL ONLY	\$1,959	\$1,959
1	FSD-24	2 BOX 1 FILE PEDESTAL	\$1,070	\$1,070
1	FSHH-1929	HINGED DOOR PEDESTAL	\$1,082	\$1,082
5	T1-BC	BRUSHED CHROME PULLS	\$40	\$200
<b>COUNTER OPTION #1</b>				
1	FCT-1284-W-2A	FIN RIGHT COUNTER TOP WITH PLASTIC LAMINATE INSET MOUNT "C"	\$1,986	\$1,986
	W/RCT-1272-W-2A	RECTANGLE WOOD COUNTER TOP 2A EDGE MOUNT "C" FOR RETURN		
<b>COUNTER OPTION # 2</b>				
1	FCT-1284-SE112	1-1/2" STONE TOPS FRONT & SIDE	\$8,418	\$8,418
	W/RCT-1272-SE112	RETURN MOUNT "E"		
<b>COUNTER OPTION # 3</b>				
1	FCT-1284-CG W/	FIN GLASS TOP WITH WOOD TOP TOPS AND ANODIZED ALUMINUM STAND OFF	\$5,020	\$5,020
	RCT-1272-CG	SETS MOUNT "D1", CLEAR 3/4" THICK POLISHED GLASS		

**Quotation**

SAUSALITO FIRE DEPT

PAGE 2

Date:

10/5/2009

The Halsey Group  
811 Sansome St.  
san Francisco, CA 94111

To:

EILEEN KALLAWAY  
KALLAWAY DESIGN

415-788-5313  
415-788-2726 Fax  
[raissa@halseygroup.com](mailto:raissa@halseygroup.com)

Fax:

Project Name:

From:  
Manufacturer  
Lead Time:

Raissa Sarantschin  
Creative Wood

Discount:

QT	MODEL NUMBER	DESCRIPTION	LIST \$ EACH	EXT LIST \$
		<b>INLAY OPTION #1</b>		
1	IO#318	1" WIDE LUMA STEEL INLAY ON DESK & RETURN, 1 ROW	\$800	\$800
		<b>INLAY OPTION # 2</b>		
1	RO	1/8"X1/8" BLACK REVEAL "I" SHAPED 1 LINE	\$500	\$500
		<b>BASE OPTION #1</b>		
1	RTK-LS	LUMA STEEL TOE KICK ADD TO DESK & RETURN ABOVE AND END PANEL OF BACK UNIT	\$800	\$800
		<b>BASE OPTION #2</b>		
1		EBONY RECESSED TOE KICK FOR ALL PIECES MAKE THIS PART OF YOUR GENERAL SPECIFICATION	NC	NC

S P A C E P L A N N I N G

INTERIOR DESIGN

October 30, 2009

Sausalito Public Safety Building  
Sausalito Fire Department  
333 Johnson Street  
Sausalito California 94965

Furniture Specifications

---

Plan Code	T-1
Manufacturer	Creative Wood
Name	End Table
Number	ZA LO 22 22 22- special size
Description	Square occasional table, Wood edge, # 2A Eased edge
Wood	Maple
Finish	9.01 Natural maple
Size	22" L x 22 D " x w 22"
Quantity	2
Location	Rm 101 (1), Rm 201 (1)

S P A C E P L A N N I N G

INTERIOR DESIGN

October 30, 2009

Sausalito Public Safety Building  
 Sausalito Fire Department  
 333 Johnson Street  
 Sausalito California 94965

Furniture Specifications

Plan Code C-8  
 Manufacturer Creative Wood  
 Name Arc Guest Chair  
 Number ARC-0  
 Description Guest Chair Wood Frame Wood open Arms uphol seat and back  
 Size 19 ½" d x 22 ½" w x 32" h  
 Wood Maple  
 Finish 9.01 Natural Maple

Upholstery COM  
 Manufacturer Arc Com  
 Name Pong  
 Number AC 67732  
 Color Hunter 3  
 Content 55% Polyester, 45% Rayon Crypton  
 Finish Crypton  
 Repeat 4 ¾" h 6 ¾" v

Quantity 10  
 Location Rm. 204 Chief, (4), Rm. 205 Captain (4), Rm 202 Lieutenant (2)

S P A C E P L A N N I N G

INTERIOR DESIGN

October 30, 2009

Sausalito Public Safety Building  
 Sausalito Fire Department  
 333 Johnson Street  
 Sausalito California 94965

Furniture Specifications

---

Plan Code	T-2
Manufacturer	Howe
Name	Storm Folding Table
Number	14T ST 5T
Description	Lightweight folding table, Rectangular shape, Eased T-Mold# 1337 Vinyl Edge, 1 1/4" laminate top
Size	24" w x 60" l
Finishes	Base T-58 Bronze Metallic Edge #P-2 Birch Plastic lam. inset top: Formica 7267- 77 Concrete stone, matte smooth finish
Option	Storm Wheel
Option	Ganging option
Glides	Standard
Quantity	8
Location	EOC /Training Rm. 102

S P A C E P L A N N I N G

INTERIOR DESIGN

October 30, 2009

Sausalito Public Safety Building  
 Sausalito Fire Department  
 333 Johnson Street  
 Sausalito California 94965

Furniture Specifications

Plan Code T-3  
 Manufacturer West Coast Industries  
 Name Dayroom Dining Table  
 Number DUTA548120 RA 224B N9-SC-SP  
 Description Wood Edge, Laminate Inset Top, 2 sections, 3 bases  
 Size 48" x 120" with racetrack shape top  
 1 3/4 inch Full Bull nose edge  
 Top Maple Wood Edge, stain to match Formica # 7012 -58 Amber Maple  
 Plastic Laminate Inset: Formica # 7012-58  
 Base (3) Double Dunhill Bases, with Glides  
 Finish: Satin Chrome

Option Freestanding Lazy Susan Plastic Laminate Formica # 7012-58 to place on table  
 18" dia. base bottom to be non- marring to table surface.

Note: Furniture Contractor to verify access to Dayroom with contractor or Architect for  
 proper delivery and installation. KD has specified the table in 2 pieces.

Quantity 1  
 Location Dayroom, Rm. 212  
 Manuf. rep: West Coast Ind. Ron Liss 415 621 6656

S P A C E P L A N N I N G

INTERIOR DESIGN

October 30, 2009

Sausalito Public Safety Building  
Sausalito Fire Department  
333 Johnson Street  
Sausalito California 94965

Furniture Specifications

---

Plan Code	T-2
Manufacturer	West Coast Industries
Name	Dunhill Round Stationary Table
Number	DU T AS 36 RD 124 BNP SCP SP
Description	Round Wood Conference Table
Top	1 ¼" thick bull nose maple wood edge, Plastic Laminate inset top
Finish	Wood Edge: Stained to match Formica #7012 -58 Amber Maple Plastic Laminate Inset top, Formica # 7012-58 Amber Maple
Base	Dunhill Base, satin Chrome Finish SCP
Quantity	2
Location	Rm 204 Chief, Rm 205 Captain

S P A C E P L A N N I N G

INTERIOR DESIGN

October 30, 2009

Sausalito Public Safety Building  
Sausalito Fire Department  
333 Johnson Street  
Sausalito California 94965

Furniture Specifications

---

Plan Code C-1  
Manufacturer Hon  
Name Invitation Guest Arm Chair  
Number 2111  
Description Guest Chair, upholstered Seat and back, open wood arm  
Size Overall: 23 ½ "w x 18 ½" d  
Inside Dim. of seat: 20" w x 17 ½ " d  
Frame Finish Natural Maple

Upholstery COM  
Manufacturer Arc Com  
Name Trio  
Number AC 68533  
Color Moss #4

Quantity 5  
Location Lobby Rm 101 (3) Admin./Rec. Rm. 201 (2)



October 30, 2009

Sausalito Public Safety Building  
Sausalito Fire Department  
333 Johnson Street  
Sausalito California 94965

Furniture Specifications

Plan Code	LT-1
Manufacturer	Peter Pepper Products
Name	600 Series Literature Rack
Number	600
Description	10 Pocket Vertical
Size	19 1/2" w x 63" h x 3" d
Frame	Wood
Finish	Natural Maple MA
Back Panel	Soft White
Option	6- #609 Pocket dividers- (for 6 top openings)
Option	4- #610 paper stops- ( for 4 bottom openings)
Quantity	1
Location	Lobby, Rm. 101- verify location with project architect

October 30, 2009

Sausalito Public Safety Building  
 Sausalito Fire Department  
 333 Johnson Street  
 Sausalito California 94965

Furniture Specifications

Plan Code	LC-1
Manufacturer	Nevers
Name	Lecturn
Number	Special XRCGO4838 -per drawing # 100849B, pg. 1-2, dated 10-22-09, rev. B
Description	Studio Custom Lecturn, with pull out ADA height work surface, 27" clearance (1) R/PC 3/01 Power /data center Wood Maple
Finish	Stained to match Formica Amber Maple # 7012-58 Black Laminate work surface
Size	38" w 24" d 48" h ADA pull out shelf to have 27" clear leg clearance
Option	Sausalito Fire Department Logo Lazer engraved on removable panel, with logo in black ( to match style of Texas Tech U Health Services Center example submitted by Nevers to KD, copy attached for style only)
Option	Carpet casters with lock
Note:	Nevers to provide a shop drawing, logo sample and finish sample for approval by owner in writing, prior to fabrication.
Manuf. Rep	Mark A Vogler, Nevers Industries, Inc. 763 210 4213, <a href="mailto:mark@nevers.com">mark@nevers.com</a>
Quantity	1
Location	EOC Rm 102

**Subj:** RE: Lecturn  
**Date:** 10/22/2009 3:02:03 PM Pacific Daylight Time  
**From:** MVogeler@Nevers.com  
**To:** KALLAWAYdESIGN@aol.com  
**CC:** wsamike@comcast.net  
**File:** 100849B-12EILEENKALLAWAYDESIGNSAUSALITOPOLICE.xls.zip (362522 bytes) DL Time (TCP/IP): < 1 minute  
*Sent from the Internet (Details)*

Hi Eileen,

Please review the attached revised quote and drawing.

Please call or e-mail me with any questions.

Thanks,

Mark A. Vogeler  
Nevers Industries, Inc.  
14125 21st Avenue North  
Minneapolis, MN 55447  
Office: 800-242-2443, X-4213  
Direct: 763-210-4213  
Fax: 800-258-5591  
[mark@nevers.com](mailto:mark@nevers.com)  
[www.nevers.com](http://www.nevers.com)

---

**From:** KALLAWAYdESIGN@aol.com [mailto:KALLAWAYdESIGN@aol.com]  
**Sent:** Wednesday, October 21, 2009 5:57 PM  
**To:** Mark A. Vogeler  
**Cc:** jzheng@glassarchitects.com  
**Subject:** Lecturn

Hi, need a revised drawing showing the 27" clear for the ADA surface and delete the microphone from drawing, and adjust the price to reflect deleted microphones. Does the unit come with lockable casters as we spoke about- please add to drawing a quote... I want to include the up the final quote and drawing in my specs . thanks Eileen

# Studio | The Complete Custom Meeting Room

1022/2009

Quote # 100849B

## Sausalito Police & Fire

Eileen Ann Kallaway  
Kallaway Design  
Phone: 415-479-5075  
[kallawaydesign@aol.com](mailto:kallawaydesign@aol.com)

Mark Vogeler  
Phone: 800-242-2443  
Fax: 800-258-5591  
[mvogeler@nevers.com](mailto:mvogeler@nevers.com)

Qty.	Part Description	List Price	Extended List
2	XRCG04838 STUDIO CUSTOM LECTERN 38"W X 24"D X 48"H PULLOUT ADA HEIGHT WORK SURFACE, 27" CLEARANCE (1) R/PC3/01 POWER/DATA CENTER LOGO LASER ENGRAVED ON REMOVABLE PANEL *WOOD SPECIES AND FINISH: _____ INCLUDES LOCKING CASTERS SEE DRAWING 100849 REVISION A	\$7,455.00	\$14,910.00

### \* At Time of Order Please Specify

Thank you for the opportunity to quote the above products. Pricing includes delivery with-in the 48 states.  
This quote is done in list price US dollars and is valid for 60 days from the above date.  
Quote is based on Nevers standard wood species and finishes.  
All custom orders subject to 50% down payment

Please send a copy of this quote and signed drawings with purchase order.  
Lead time: 5 - 8 weeks from the time all details are specified including edge detail, finish, cutout locations, ect.  
Nevers will not process a custom order until we receive a purchase order accompanied by signed approval drawings.

Please call me with any questions.

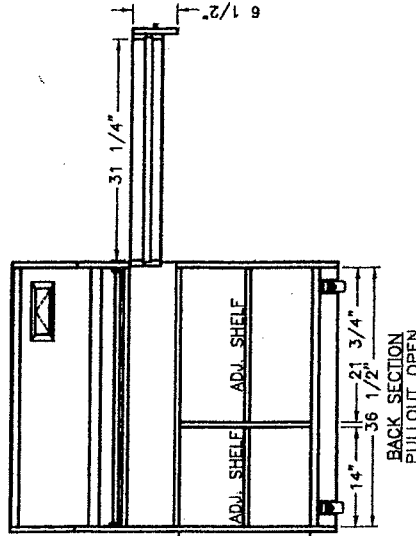
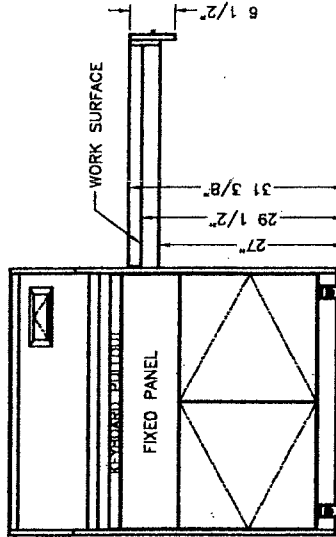
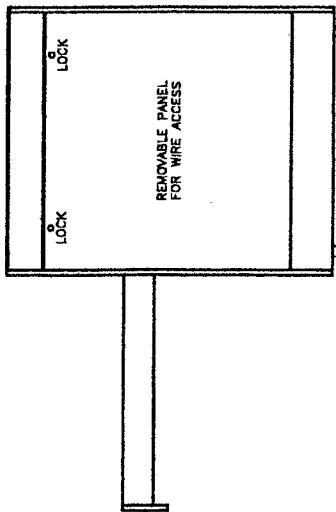
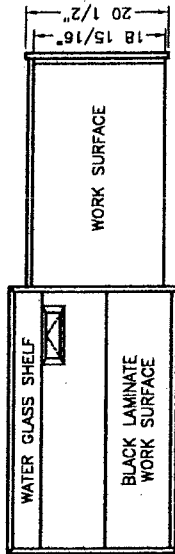
Sincerely,

Mark Vogeler

Mark Vogeler  
Sales Engineer  
800-242-2443 ext.4213  
[mvogeler@nevers.com](mailto:mvogeler@nevers.com)

NEVERS | Defining the Meeting Room™

REV	ECO	DATE	DESCRIPTION	CHK'D
A	SCB	10/15/08	NEW DESIGN	
B	SCB	10/22/08	RAISED PULLOUT TO 27" CLEAR	



APPROVED AS IS  
 REJECTED  
 DATE: \_\_\_\_\_  
 SIGNED: \_\_\_\_\_

PAGE: 2 OF 2

THE DESIGN AND INFORMATION ON THIS DRAWING ARE CONFIDENTIAL AND PROPRIETARY TO NEVERS INDUSTRIES, INC. AND MAY NOT BE COPIED, DUPLICATED OR TRANSMITTED.

**NEVERS INDUSTRIES, INC.**  
 14125 21ST AVE. N.  
 MINNEAPOLIS, MN. 55447

**TOLERANCES:**  
 UNLESS OTHERWISE SPECIFIED  
 X.XXX = ±0.010  
 X.XX = ±0.020  
 X.X = ±0.050  
 FRACTIONAL = ±1/64  
 ANGULAR = ±0.3

**MATERIAL:** \_\_\_\_\_  
**SCALE:** 1/2" = 1'-0"  
**DIMENSIONS ARE IN INCHES**

**FINISH:** \_\_\_\_\_  
**TITLE:** STUDIO  
 XRCG04838

**DATE:** 10/8/09  
**DATE:** \_\_\_\_\_  
**DATE:** \_\_\_\_\_

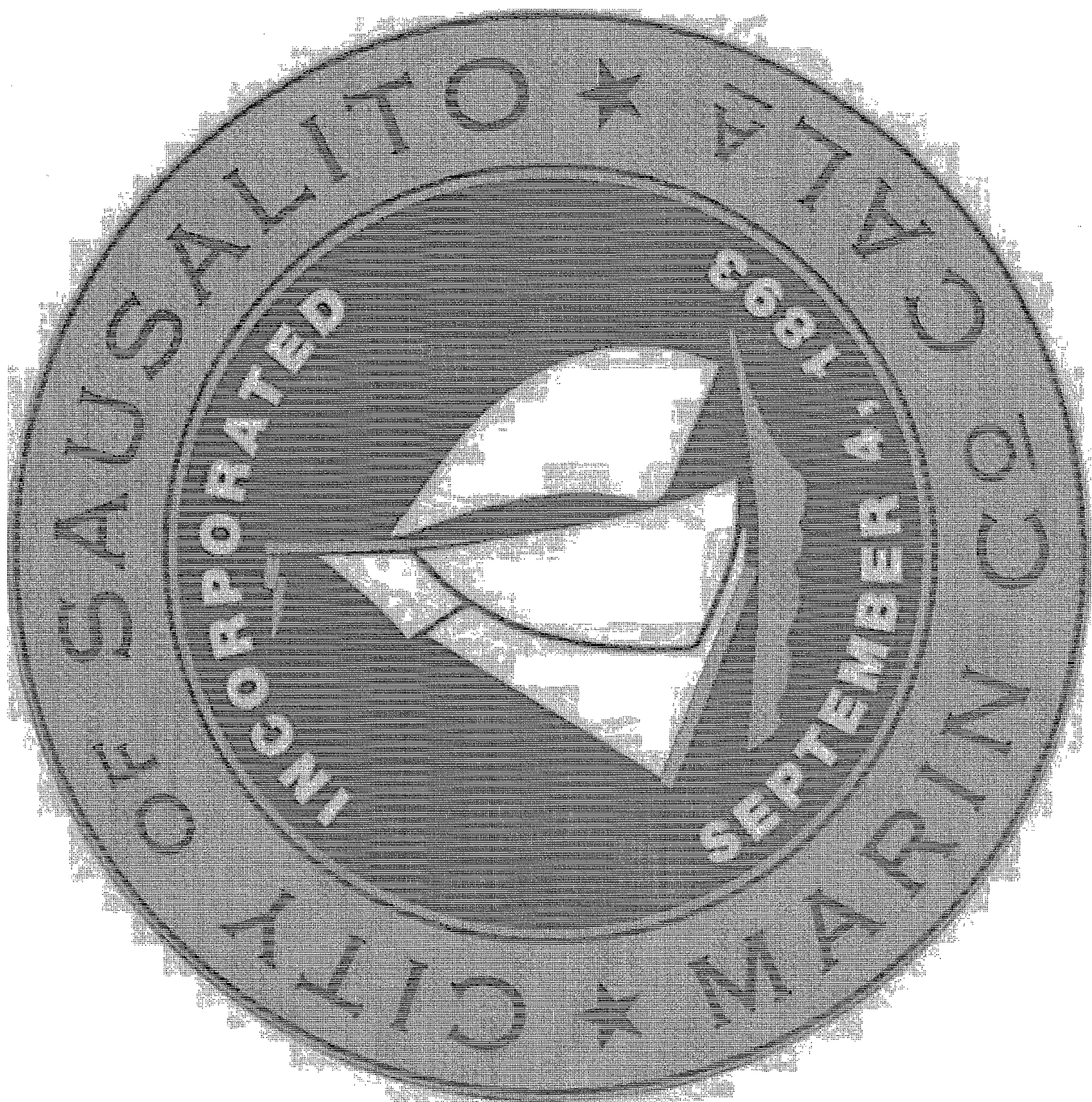
**SIZE (DRG. NO.):** A 100849  
**REV:** B

Subj: **RE: Sausalito PSB - Lecturns**  
Date: 10/1/2009 4:01:06 PM Pacific Daylight Time  
From: [jzheng@glassarchitects.com](mailto:jzheng@glassarchitects.com)  
To: [KALLAWAYdESIGN@aol.com](mailto:KALLAWAYdESIGN@aol.com)  
File: **CityLogocopy.zip** (175121 bytes) DL Time (TCP/IP): < 1 minute  
*Sent from the Internet (Details)*

Eileen,

The client has confirmed that no microphone is needed for the lecturns. Attached please find the seal of the City for use in the Fire EOC, and the seal of the PD for use in the Police Briefing Room.

Thanks,  
John



October 30, 2009

Sausalito Public Safety Building  
Sausalito Fire Department  
333 Johnson Street  
Sausalito California 94965

Furniture Specifications

---

Plan Code C-7  
Manufacturer La z Boy Furniture Galleries  
Name Larson Recliner  
Number 010 528  
Description Larson Reclina Rocker chaise recliner, chaise seat, channeled pillow, Back flared  
Arms, top grain leather  
Size 42" h 37" w 38" D, arm ht. 24"  
Upholstery Top Grain Leather, color Brown, # LF 885278

Quantity 5  
Location Rm 212

Contact Robbie Boyd, Lazy Boy Furn. Galleries, Corte Madera  
415 924 4246



October 30, 2009

Sausalito Public Safety Building  
Sausalito Fire Department  
333 Johnson Street  
Sausalito California 94965

Furniture Specifications

---

Plan Code	D-6
Manufacturer	National
Name	Arrowood Veneer Series
Number	31IN3060DDQLW3
Size	30" x 60"
Description	Double Pedestal Desk with 3/4" pedestal, Laminate inset top
Wood Veneer	Maple
Finish	Honey
Accessories	(1) G 13R Grommet, right side of desk (1) NAC2421CDL Laminate center drawer
Quantity	1
Location	Rm. 212 Dayroom
Manuf. Rep	Laurie Terrell 650 520 7539 , Laurie.Terrell@NationalOfficeFurniture.com

October 30, 2009

Sausalito Public Safety Building  
Sausalito Fire Department  
333 Johnson Street  
Sausalito California 94965

Furniture Specifications

---

Plan Code	BK-1
Manufacturer	National Furniture
Name	Arrowwood Veneer Bookcase
Number	31N3253BCOFW
Size	32" w x 53" h
Description	3 shelf, ( 4 opening bookcase)
Wood Veneer	Maple
Finish	Honey
Quantity	2
Location	Rm. 212 Dayroom

October 30, 2009

Sausalito Public Safety Building  
Sausalito Fire Department  
333 Johnson Street  
Sausalito California 94965

Furniture Specifications

---

Plan Code	T-4
Manufacturer	Arcadia
Name	Maxim Square Arc 208 W Series
Number	208 W
Size	18" sq. x 18"h
Description	Wood veneer occasional table with plastic laminate inset top
Wood	Maple
Finish	Amber
Pl Top	to match Formica 7012-58 Amber Maple
Quantity	3
Location	Rm 121 Dayroom
Manuf. Rep.	Deb @ Verne Yette Assoc. 650 596 9800, deb@verneyette.com

October 30, 2009

Sausalito Public Safety Building  
 Sausalito Fire Department  
 333 Johnson Street  
 Sausalito California 94965

Furniture Specifications

Plan Code	CR-1
Manufacturer	Arcadia
Name	Escala Special credenza , per Arcadia Quote # 60698, 10-20-09, and attached EC2260 Verne Yette Assoc./Arcadia drawing
Number	EC2260
Size	60" w 22" d 25.5" h
Description	Special Configuration Left to Right- closed door cabinet, 1 adj. shelf, open center, with 1 adj. shelf, Closed door Cabinet with 1 adj. shelf Provide open slot at back of center opening for TV /DVD wire management and connection, and air circulation, and grommets in center of top and center shelf Special modification -only 2 drs. No elevated top
Wood	Maple
Finish	To match Formica # 7012 Amber Maple
Leg Finish	#90 metallic Silver
Quantity	1
Location	Rm 121 Dayroom
Manuf. Rep.	Deb @ Verne Yette Assoc. 650 596 9800, deb@verneyette.com
Note	Furniture Dealer to have owner/users approve Verne Yette Assoc./ Arcadia # EC2260 shop drawing prior to fabrication



P 714.562.8200 5692 FRESCA DRIVE  
P 800.585.5957 LA PALMA, CA 90623  
F 714.562.8202 WWW.ARCADIACONTRACT.COM

**QUOTATION**

CUSTOMER:	<u>Verne Yett &amp; Assoc.</u>	QUOTATION:	<u>60698</u>
ATTENTION:	<u>Deb Calkins</u>	TELEPHONE:	<u>650-596-9800</u>
PROJECT:	<u>Sausalito Fire Station Day Room</u>	FAX:	<u></u>
EMAIL:	<u>deb@vemeyett.com</u>	DATE:	<u>10/20/09</u>

QUANTITY	DESCRIPTION	LIST	EXT
1	EC-2260 Escala Credenza ** Special** 60"L x 22"D x 25.25"H Leg Finish: Chrome, #90 Metallic Silver, or #95 Satin Black (Select One) Wood Doors: 2 Doors On One Side ( to Be Specified Right or Left) Wood Finish: #46 Amber Maple **Special Modification: Only Two Doors, No Elevated Top	\$2,510	\$2,510
2	GM Grommet Hole ( Location TBD)	\$65	\$130

**Note: Custom Finish add \$200 list per color per order**

**Note: COM's are subject to Arcadia's approval prior to submitting a purchase order**

Purchase orders must specifically refer to this quote to be valid.

LEAD TIME: 7 wks  
F. O. B: La Palma, CA

FREIGHT: Included  
DESTINATION: CA  
QUOTE VALID FOR: 60 days

QUOTED BY: Julie Noble  
EMAIL: julien@arcadiacontract.com

cc: Verne Yett & Assoc

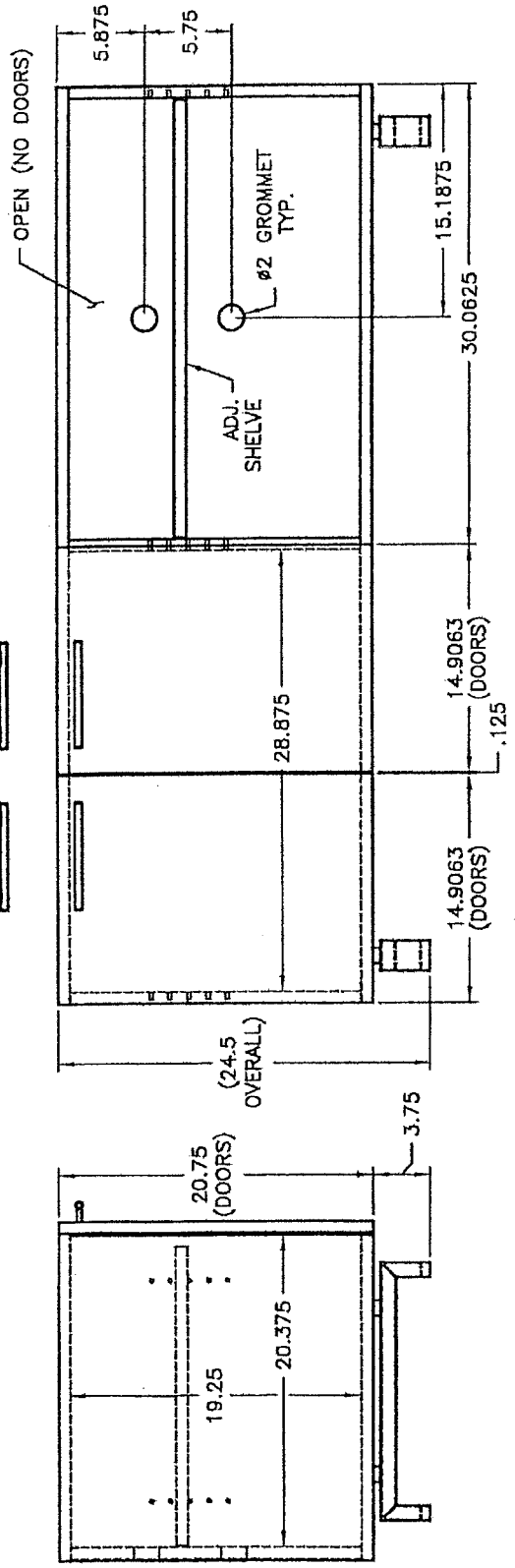
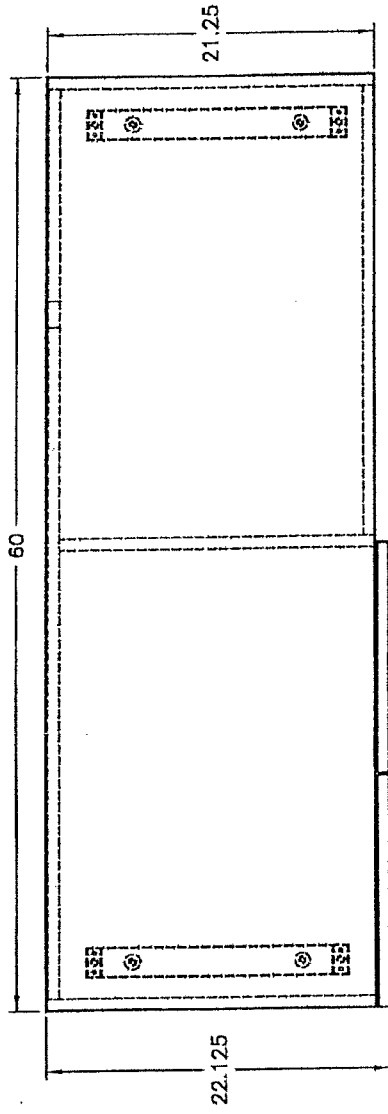
CUSTOMER: VERNE YEIT & ASSOC.

SALES ORDER #:

SHIP WEEK OF:

REVISIONS

REV	DESCRIPTION	DATE	APPRV. BY
A			
B			



5692 FRESCA DRIVE, LA PALMA, CA 90623 ; P: 714.562.8200; F: 714.562.8202

**SPECIAL ESCALA CREDENZA**  
EC-2260

MATR'L

DWG NO. G:\BIESSE\LICONDIR\ARCADIA\ESCALA\QUOTATION\EC-2260

DATE:

SCALE: NOT TO SCALE | DRAWN BY: J.F.

SHEET: 1 OF 1

**EC-2260**

October 30, 2009

Sausalito Public Safety Building  
 Sausalito Fire Department  
 333 Johnson Street  
 Sausalito California 94965

Furniture Specifications

---

Plan Code D-7  
 Manufacturer Chestbed Store  
 Name Single Pedestal Desk- CBS Contemporary Style with ¾" top  
 Number TBD  
 Size 48" w x 24" d x 30"h  
 Description Single Pedestal desk, 1 box /1 file drawer pedestal on right side  
 Hanging file frame in file drawer  
 Width clearance with between pedestal and leg is to be at least 24"  
 Floor to underside of desk top to be least 27", adj. glides ( for chair)  
 Wood Maple  
 Finish To match Formica # 7012-58 Amber Maple Finish  
 Top inset Plastic Laminate to match Formica 7012-58 Amber Maple Finish  
 Quantity 5  
 Location ( 1 ) each- Rms. 217, 218, 219, 220, 221

Notes: All Chestbed pieces- D-6, NS-1 NS-2, HD-1: Chestbed Store to submit pictures of style of furniture pieces, line drawings and wood sample for approval. The design intent spec. is from a previous order made by Chestbed store for South Count Fire Station and Union City- length of desk changed, wood finish different.

Materials: Per Kirk McGunagle Chestbed Store: All exterior construction to be ¾" veneer core WPF( one piece face) Maple A-1 Plywood with drawer faces tops and trim to be Hard Rock Maple lumber. All unfinished interior construction to be of ¾" construction grade veneer core plywood.  
 Drawers to be constructed of ½" plywood with ¼" drawer bottoms using maple pre finished plywood with UV finish

S P A C E P L A N N I N G

INTERIOR DESIGN

October 30, 2009

Sausalito Public Safety Building  
Sausalito Fire Department  
333 Johnson Street  
Sausalito California 94965

Furniture Specifications

---

Code: D-7 con't

Materials: Continued

Mac-Lac F-237 Low VOC semi flat UV Pre- Catalyzed Unicoat Lacquer 3 coat finish to be applied to all exterior surfaces and to inside of nightstands.

Shop Drawings and Finish Sample: Chestbed Store Contractor to provide Kallaway Design and owner with Shop drawings and actual finish sample for owner approval prior to construction.

Manufacturer Rep: Kirk McGunagle, 707 939 7733, Chestbed Store



October 30, 2009

Sausalito Public Safety Building  
 Sausalito Fire Department  
 333 Johnson Street  
 Sausalito California 94965

Furniture Specifications

Plan Code	NS-1 R and NS-L
Manufacturer	Chestbed Store
Name	Nightstand Cabinet- CBS Contemporary Style with 3/4" top
Number	TBD
Size	20" w x 16" d x 27" h
Description	Nightstand Cabinet with (1) Drawer at top and Hinged door with (1) adjustable shelf in Cabinet, ( see below for right and left hinged doors) adj. glides
Wood	Maple
Finish	To match Formica # 7012-58 Amber Maple
Top inset	Plastic Laminate to match Formica # 7012-58 Amber Finish
Quantity	15
Location	( 6 ) -NS1R Rms. 217, 219 ( 9 ) - NS1L, Rms. 218, 220, 221

October 30, 2009

Sausalito Public Safety Building  
 Sausalito Fire Department  
 333 Johnson Street  
 Sausalito California 94965

Furniture Specifications

---

Plan Code	HD-1
Manufacturer	Chestbed Store
Name	Twin Xtra Long Size Headboard - CBS Contemporary Style with attachment for attachment to metal bed frame, or alternately to wall, see note below
Number	TBD
Size	Twin Xtra Long, ( 80" mattress and 2" headboard length) Headboards to be no more then 38 "w.
Description	Style to match CBS Contemporary Style like NS-1 and D-3
Wood	Maple
Finish	To match Formica # 7012-58 Amber Finish
Quantity	15
Location	( 3 each) Rms. 217, 218,219,220, 221

Note: Chestbed store to secure the bed frame securely to the headboard, so they are sturdy enough to lean against while in bed, alternately secure headboard to wall- verify with owner installation preference and exact location to install headboards. If wall mounted ( the clearance width of rooms 217-220 is 15' 6" and Rm 222 is 15'3", Furniture installer to verify exact dimensions and locations of headboards with contractor and Architect prior to securing to wall, very tight clearance for furniture.

S P A C E P L A N N I N G

INTERIOR DESIGN

October 30, 2009

Sausalito Public Safety Building  
Sausalito Fire Department  
333 Johnson Street  
Sausalito California 94965

---

Plan Code: MT-1  
Manufacturer Knickerbocker  
Name Metal Frame- Twin X tra long  
Note To be securely attached to Headboard, verify with owner ( alternate would be to Attach headboard to wall)

Plan Code MS- 1  
Manufacturer Simmons Classic Beauty Rest Mattress and Box Spring, Twin X tra long  
With mattress protector, mattress 80" long- ( plus 2" for headboard)

Quantity 15- ( 3 each- frame and mattress and boxspring, mattress protector)  
Location Rms. 217 218 219 220 221

Manuf. rep. Chestbed Store

KALLAWAY } DESIGN

181 Carlos Drive  
San Rafael, CA 94903  
415 479 5075  
FAX 415 479 5079

S P A C E P L A N N I N G

INTERIOR DESIGN

October 30, 2009

Sausalito Public Safety Building  
Sausalito Fire Department  
333 Johnson Street  
Sausalito California 94965

---

Plan Code	T-4
Manufacturer	Tropitone
Name	Patterned Aluminum Table
Number	1876 SBU ALM
Description	Boulevard Pattern, Square Umbrella Table
Finish	Aluminum Metallic
Size	36" square, 27" ht.
Quantity	2
Location	Upper Terrace
Manuf Rep:	Elite Ideas 949 645 6161 , <a href="mailto:eliteideas@aol.com">eliteideas@aol.com</a> , Tami Cooley

# KALLAWAY } DESIGN

S P A C E P L A N N I N G

INTERIOR DESIGN

181 Carlos Drive  
San Rafael, CA 94903  
415 479 5075  
FAX 415 479 5079

October 30, 2009

Sausalito Public Safety Building  
Sausalito Fire Department  
333 Johnson Street  
Sausalito California 94965

---

Plan Code	C-9
Manufacturer	Tropitone
Name	Dining Chair South Beach EZ Span
Number	230524 RB ALM DRW
Description	Ribbon Segment EZ Span
Size	32"h 26.5" w 25.5" d, arm ht. 24.5"
Finish	Frame Finish: Aluminum Metallic ( ALM) EZ Span Segment color: Driftwood ( DRW)
Quantity	8
Location	Upper Terrace

# KALLAWAY } DESIGN

S P A C E P L A N N I N G

INTERIOR DESIGN

181 Carlos Drive  
San Rafael, CA 94903  
415 479 5075  
FAX 415 479 5079

October 30, 2009

Sausalito Public Safety Building  
Sausalito Fire Department  
333 Johnson Street  
Sausalito California 94965

---

Plan Code	UM-1
Manufacturer	Tropitone
Name	Portofino II Umbrella and base
Number	QH007 MS
Description	Hexigon Shape- 7 Ft. span Manual lift, 1.5" pole, aluminum
Color	#5468 Camel ( Beige/Tan)
Base	Cement Filled Aluminum
Number:	CFA 2015 T
Size	20" dia., 9" sleeve
Finish	Aluminum Metallic ( ALM), 100 % rustproof
Quantity	2
Location	Upper Terrace

October 30, 2009

Sausalito Public Safety Building  
Sausalito Fire Department  
333 Johnson Street  
Sausalito California 94965

---

Plan Code	PL-1
Manufacturer	Planter Technology
Name	Sea Crest Series
Number	SS 3822
Description	Lightweight Planters with built in Irrigation ( refill water reservoir every 2-4 weeks) Low density polyethylene, lightly pebble finish.
Size	38" w x 22" h
Color	Canyon
Option	Exterior drainage adapter
Manuf Rep	1 800 542 2282 , <a href="http://www.plantertechnology.com">www.plantertechnology.com</a>
Quantity	4
Location	Upper Terrace

October 30, 2009

Sausalito Public Safety Building  
 Sausalito Fire Department  
 333 Johnson Street  
 Sausalito California 94965

---

Plan Code	EG-1
Manufacturer	Egan Visual
Name	Egan System
Number	EET B 3648 EF * Special
Description	202 Track Mounted Double Sided Marker Board/Tack board
* Special	5 Boards shall have the attached forms pre printed on the marker board side . The 5 special forms are as follows: Sausalito Causalities/Damage Log Shelter/Road condition Log Road Condition Status Law Branch Status Fire and Rescue branch Status
Frame Color	Putty, to match frame as specified by Glass Architects
Tack board	Standard Neutral Fabric
Note	Manufacturer to provide shop drawings showing mockup of forms to scale, using spacing, format , fonts same as on forms attached, for owner approval prior to fabrication
Quantity	12 Boards of which 5 are special as described below
Location	Rm. 102 EOC /Training Rm.
Manuf. Rep	Jason Pizzifero, 650-222-5897, jasonp@mycgs.com
Note	Furniture Contractor to coordinate Board installation with Architect and Building Contractor who is providing the Egan Visual Track. Please contact John Zheng at Glass Architects @ <a href="mailto:jzheng@glassarchitects.com">jzheng@glassarchitects.com</a> or 707 544 3920



Subj: **FW: Sausalito PSB - EOC Egan Display Boards**  
Date: 10/19/2009 2:32:52 PM Pacific Daylight Time  
From: [jzheng@glassarchitects.com](mailto:jzheng@glassarchitects.com)  
To: [KALLAWAYdESIGN@aol.com](mailto:KALLAWAYdESIGN@aol.com)  
File: **SAUSALITOECCASUSALITIESForm.zip** (1153266 bytes) DL Time (TCP/IP): < 1 minute  
*Sent from the Internet (Details)*

Eileen,

Resent at your request, total five forms attached. (The eoc forms.pdf contains three pages).

John

---

**From:** John Zheng  
**Sent:** Friday, October 16, 2009 10:41 AM  
**To:** [KALLAWAYdESIGN@aol.com](mailto:KALLAWAYdESIGN@aol.com)  
**Subject:** FW: Sausalito PSB - EOC Egan Display Boards

Eileen,

The Egan Boards shall be EganSystem 202 track mounted double sided markerboard/tackboard EETB3648EF (36"x48"), total 12 units, of which 5 shall have the attached forms pre-printed on the markerboard side.

Thanks,  
John Zheng  
GLASS ARCHITECTS

---

**From:** Sergeant Bill Fraass [<mailto:BFraass@ci.sausalito.ca.us>]  
**Sent:** Thursday, October 15, 2009 3:36 AM  
**To:** John Zheng  
**Cc:** Sergeant Kurtis Skoog; Captain Charlie Casalnuovo  
**Subject:** RE: Sausalito PSB - EOC Egan Display Boards

John, here are 5 forms for the pre-printed display boards. I cc'ed Kurtis and Charlie in case they have some other forms they suggest be pre-printed.

Thanks,  
Bill

*William R. Fraass*

Sergeant  
Emergency Services Manager  
Sausalito Police Department  
300 Locust St  
Sausalito, CA. 94965  
Tel. (415) 289-4100



-----Original Message-----

**From:** John Zheng [<mailto:jzheng@glassarchitects.com>]  
**Sent:** Tuesday, October 13, 2009 5:36 PM  
**To:** Sergeant Bill Fraass  
**Cc:** Sergeant Kurtis Skoog; Charlie Casalnuovo  
**Subject:** Sausalito PSB - EOC Egan Display Boards

Tuesday, October 20, 2009 America Online: KALLAWAY DESIGN

Item: 4B6  
Date: 11/17/09  
Page: 142



City of Sausalito  
Emergency Operations Center

SAUSALITO CASUALTIES/DAMAGE LOG

TYPE	TOTALS	LOCATIONS		
<b>PERSONS</b> Dead Injured Displaced				
<b>HOMES</b> Destroyed Major Damage Minor Damage Value				
<b>BUSINESSES</b> Destroyed Major Damage Minor Damage Value				
<b>PUBLIC PROPERTY</b> Destroyed Major Damage Minor Damage Value				
<b>UTILITIES</b> Electricity Gas Sewer Telephone Water				



SHELTER/ROAD CONDITION LOG

SHELTER						ROADS			
LOCATION	TIME OPEN	PHONE OR RADIO #	MANAGER	OCCUPANCY (CAPACITY)	SATUS	LOCATION	CONDITION	INFORMATION SOURCE	

# Road Conditions Status

Status  Normal  Under Control  Help Needed  
Prognosis  Improving  Stable  Worsening

Event Name/Type: \_\_\_\_\_

Last Update: \_\_\_\_\_

LOCATION	STATUS			REMARKS	AS OF
	CLEAR	RESTRICTED	CLOSED		
	<input type="checkbox"/>	<input type="checkbox"/>	<input type="checkbox"/>		
	<input type="checkbox"/>	<input type="checkbox"/>	<input type="checkbox"/>		
	<input type="checkbox"/>	<input type="checkbox"/>	<input type="checkbox"/>		
	<input type="checkbox"/>	<input type="checkbox"/>	<input type="checkbox"/>		
	<input type="checkbox"/>	<input type="checkbox"/>	<input type="checkbox"/>		
	<input type="checkbox"/>	<input type="checkbox"/>	<input type="checkbox"/>		
	<input type="checkbox"/>	<input type="checkbox"/>	<input type="checkbox"/>		
	<input type="checkbox"/>	<input type="checkbox"/>	<input type="checkbox"/>		
	<input type="checkbox"/>	<input type="checkbox"/>	<input type="checkbox"/>		
	<input type="checkbox"/>	<input type="checkbox"/>	<input type="checkbox"/>		
	<input type="checkbox"/>	<input type="checkbox"/>	<input type="checkbox"/>		
	<input type="checkbox"/>	<input type="checkbox"/>	<input type="checkbox"/>		
	<input type="checkbox"/>	<input type="checkbox"/>	<input type="checkbox"/>		
	<input type="checkbox"/>	<input type="checkbox"/>	<input type="checkbox"/>		
	<input type="checkbox"/>	<input type="checkbox"/>	<input type="checkbox"/>		
	<input type="checkbox"/>	<input type="checkbox"/>	<input type="checkbox"/>		

# Law Branch Status

Status  Normal  Under Control  Help Needed  
 Prognosis  Improving  Stable  Worsening

Event Name/Type: \_\_\_\_\_

Last Update: \_\_\_\_\_

<b>CURRENT SITUATION</b>	
--------------------------	--

<b>PRIORITY OBJECTIVES</b>	1. _____
	2. _____
	3. _____

CURRENT SITUATION	NUMBER	DETAILS, LOCATIONS, COMMENTS
OFFICERS ON DUTY		
ARRESTED		
IN CUSTODY		
MISSING		
EVAQUATIONS		
ANIMAL CONTROL		

MUTUAL AID	LAST 24 HOURS	NEXT 24 HOURS	DETAILS, LOCATIONS, COMMENTS
LAW ENFORCEMENT	Y N	Y N	
CORONER	Y N	Y N	
	Y N	Y N	

Marin Op Area Law Mutual Aid Coordinator: \_\_\_\_\_ Phone: \_\_\_\_\_

Coastal Region Law Mutual Aid Coordinator: \_\_\_\_\_ Phone: \_\_\_\_\_

<b>ADDITIONAL COMMENTS</b>	
----------------------------	--

# Fire & Rescue Branch Status

Status  Normal  Under Control  Help Needed

Prognosis  Improving  Stable  Worsening

Event Name/Type: \_\_\_\_\_

Last Update: \_\_\_\_\_

<b>CURRENT SITUATION</b>	
--------------------------	--

<b>PRIORITY OBJECTIVES</b>	1. _____
	2. _____
	3. _____

CURRENT SITUATION	NUMBER	DETAILS, LOCATIONS, COMMENTS
FIRES		
FIREFIGHTERS ON DUTY		
ACRES BURNED		
HOMES DESTROYED		
HOMES THREATENED		
OUTBUILDINGS DESTROYED		
OUTBUILDINGS THREATENED		
COMMERCIAL STRUCTURES DESTROYED		
COMMERCIAL STRUCTURES THREATENED		
HAZMAT INCIDENTS		

MUTUAL AID	LAST 24 HOURS	NEXT 24 HOURS	DETAILS, LOCATIONS, COMMENTS
FIRE & RESCUE	Y N	Y N	
	Y N	Y N	

Marin Op Area Fire Mutual Aid Coordinator: \_\_\_\_\_ Phone: \_\_\_\_\_

Coastal Region Fire Mutual Aid Coordinator: \_\_\_\_\_ Phone: \_\_\_\_\_

S P A C E P L A N N I N G

INTERIOR DESIGN

October 30, 2009

Sausalito Public Safety Building  
Sausalito Fire Department  
333 Johnson Street  
Sausalito California 94965

Furniture Specifications

---

Plan Code LF-4  
Manufacturer Steelcase  
Name Universal  
Number RLF 18 425 P  
Description 4- 12" high lateral file drawers and one lift up door with fixed shelf  
Size: 18 7/8" d 48" w " h  
Options Counterweight package #3 RAA CW4 Counterweight package  
Hanging Folder RAHF42  
Rails 800 RW  
With locks  
Finish: to match D-1-D-4  
Quantity 3  
Location Rm 210 Inactive Files

October 30, 2009

Sausalito Public Safety Building  
 Sausalito Fire Department  
 333 Johnson Street  
 Sausalito California 94965

---

Plan Code	WL-1
Manufacturer	Chestbed Store
Name	Wardrobe Locker
Number	TBD
Description	Per Glass Architects drawings L-1-L-4, dated October 30, 2009
Size	3'0" w, 2'0" d 6'6" h
Components	Double door with lock 1 fixed shelf clothes rod 5 adj. shelves
Wood	Maple
Finish	To match Formica Amber Maple # 7012-58
Note:	Alternate Finish Chestbed Store to provide an alternate price to fabricate the lockers in all plastic Laminate, Formica # 7012-5
Note	Chestbed Store to provide shop drawings for approval and 3 actual wood finish samples for approval, prior to fabrication.
Note	Lockers to be secured to wall- see Architects drawings for location
Quantity	15
Location	Rms. 217-221, ( 3 per dorm Rm. see plan for location

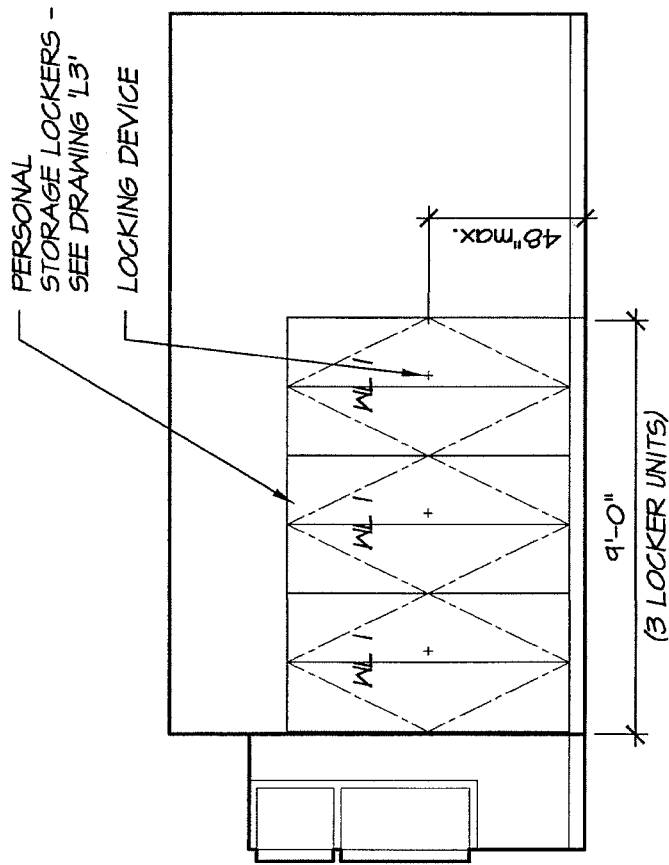


October 30, 2009

Sausalito Public Safety Building  
 Sausalito Fire Department  
 333 Johnson Street  
 Sausalito California 94965

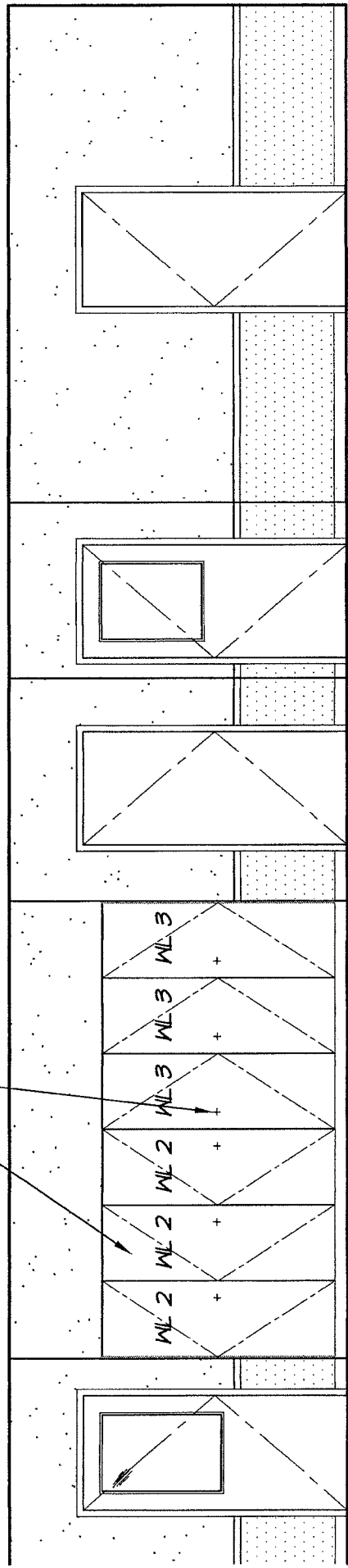
---

Plan Code	WL-2 R, WL-2 L
Manufacturer	Chestbed Store
Name	Wardrobe Locker
Number	TBD
Description	Per Glass Architects drawings L-1-L-4, dated October 30, 2009
Size	2'0" w, 2'0" d 6'0" h
Components	Single door with lock 1 fixed shelf clothes rod 1 adj. shelves
Wood	Maple
Finish	To match Formica Amber Maple # 7012-58
Note:	Alternate Finish Chestbed Store to provide an alternate price to fabricate the lockers in all plastic Laminate, Formica # 7012-5
Note	Chestbed Store to provide shop drawings for approval and 3 actual wood finish samples for approval, prior to fabrication.
Note	Lockers to be secured to wall- see Architects drawings for location Shims may need to be provided for a finished installation in wall niche against the drywall- See Architects details.
Quantity	6- 3 right handed, 3 left handed, left to right in niche
Location	Rms. 216 Hallway – see floor plan for location



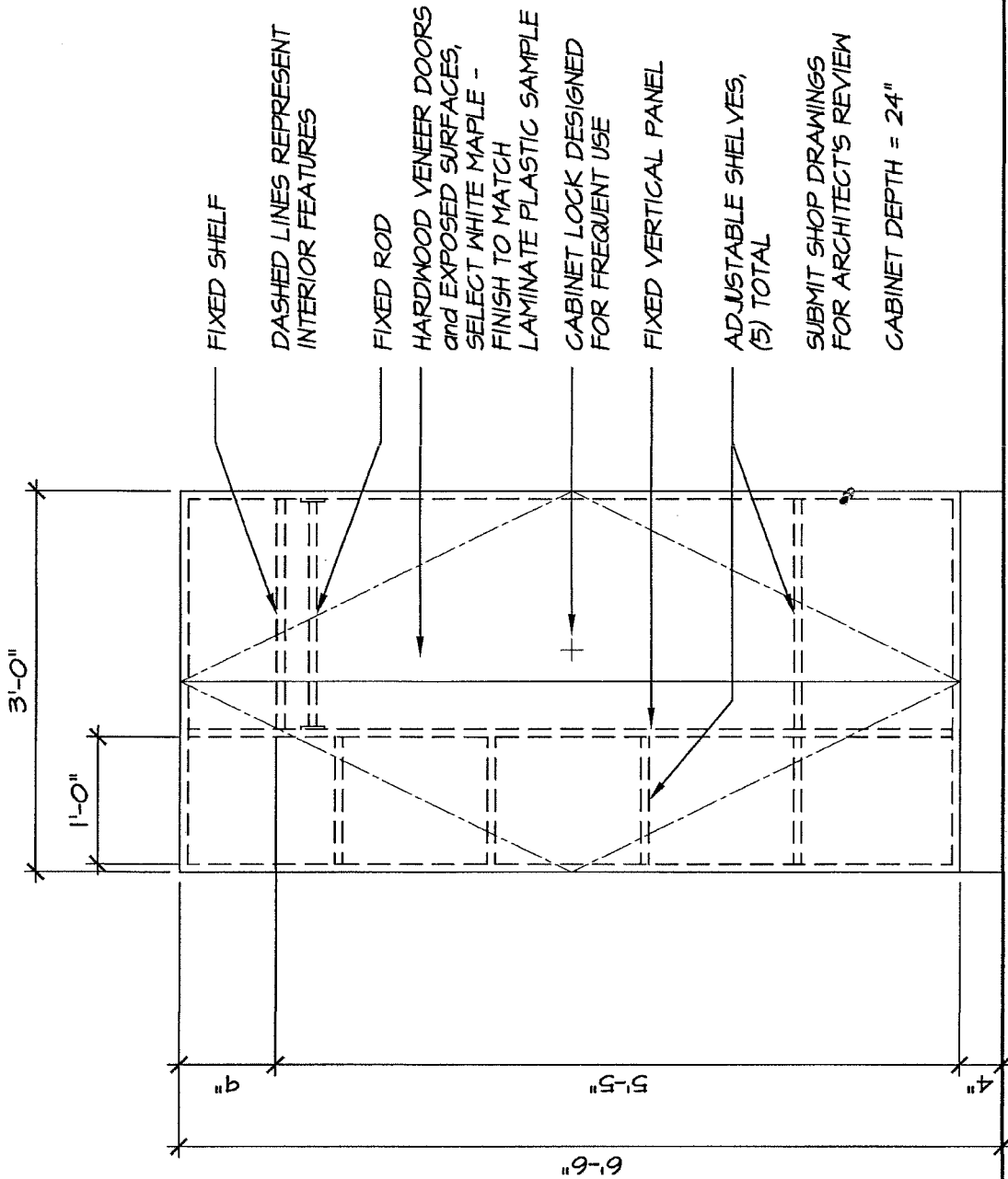
Typical Elevation, Rooms 217, 218, 219, 220 and 221  
 PLAN CODE: WL 1

PERSONAL STORAGE LOCKERS - SEE DRAWING 'L4'  
 LOCKING DEVICE

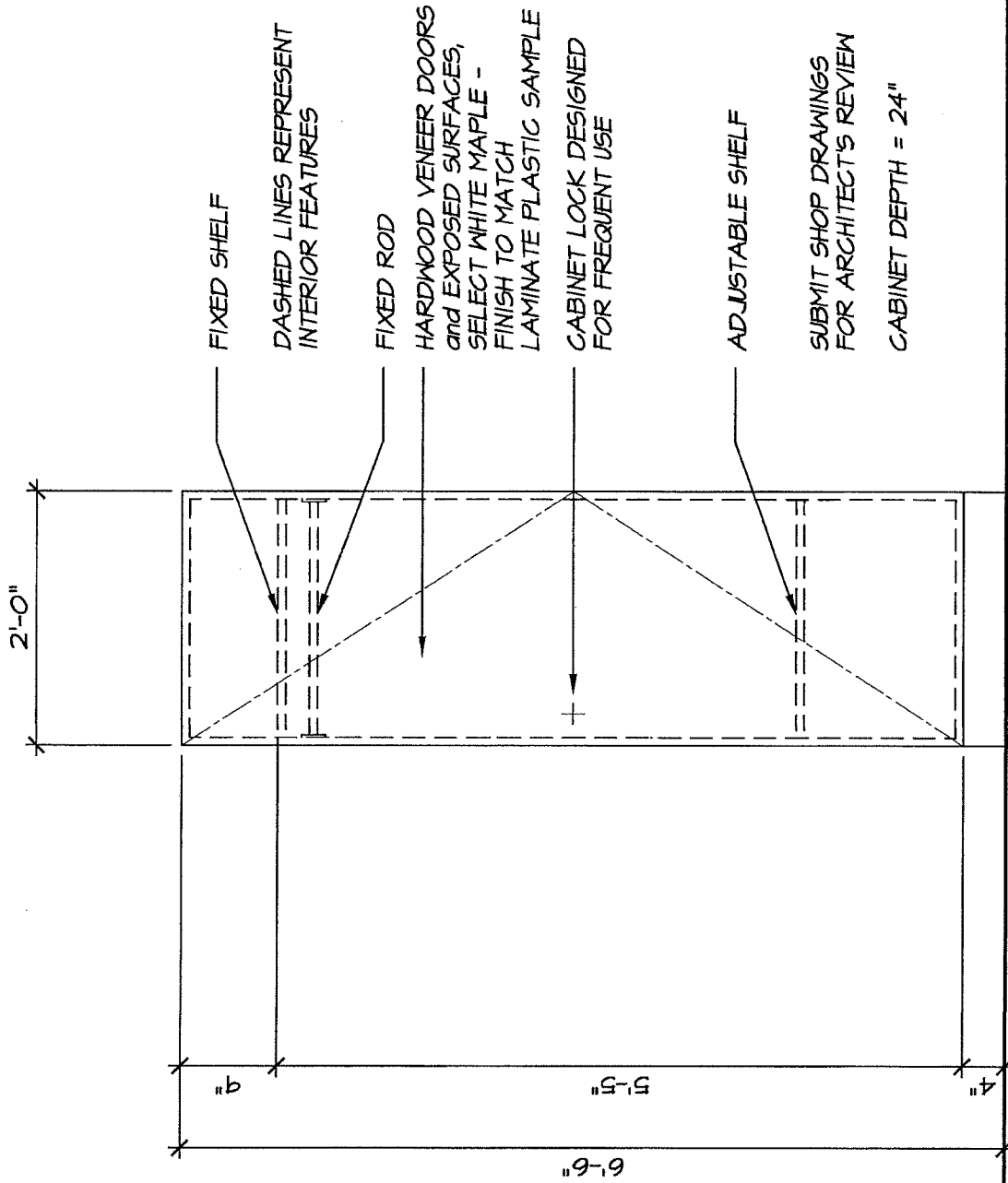


12'-1" V.I.F.  
 (6 LOCKER UNITS)

Hall 216 Elevation  
 PLAN CODE: WL 2 and WL 3



Wood Lockers "WL 1" for Dorms  
 PLAN CODE: WL 1



Wood Lockers 'WL 2 and 'WL 3' for Hall 216 Fire  
 PLAN CODE: WL 2 and WL 3

Sausalito Public Safety Buildings - FF+E  
 SCALE: 3/4" = 1'-0"

Glass Architects  
 30 October 2009

4

## KALLAWAY &amp; DESIGN

S P A C E P L A N N I N G

I N T E R I O R D E S I G N

181 Carlos Drive  
San Rafael, CA 94903  
415 479 5075  
FAX 415 479 5079

October 30, 2009

Sausalito Public Safety Building  
Sausalito Fire Department  
333 Johnson Street  
Sausalito California 94965

Plan Code	CR-2
Manufacturer	National Office Furniture
Number	Special to be determined by National Office Furniture
Description	Special size Waveworks Buffet Credenza. Wood with Plastic Laminate inset top. Back fully finished. 2 adjustable shelves in each section. Lock on doors. Credenza to have lockable casters.
Components	3 hinged doors, 3 drawers
Size	24" d x 54" w x 36" h
Wood	Maple
*Finish	To match Formica # 7012-58 Amber Maple
*Inset Top	To match Formica # 7012-58 Amber Maple

Note: Furniture contractor to verify with National if the National Natural Maple finish matches Formica # 7012-58, submit sample to owner for approval, if acceptable use standard National Natural maple finish and match plastic laminate inset top.

Edge	Softened Wood Edge: ( F )
Pulls	Allure # 78 PL , Platinum Metallic

Quantity	1
Location	Lobby Rm 101 ( 1 )

## KALLAWAY { DESIGN

S P A C E P L A N N I N G

INTERIOR DESIGN

181 Carlos Drive  
San Rafael, CA 94903  
415 479 5075  
FAX 415 479 5079

October 30, 2009

Sausalito Public Safety Building  
Sausalito Fire Department  
333 Johnson Street  
Sausalito California 94965

---

Plan Code	CR-3
Manufacturer	National Office Furniture
Number	Special to be determined by National Office Furniture
Description	Special size Waveworks Buffet Credenza. Wood with Plastic Laminate inset top. Back fully finished. 2 adjustable shelves in each section. Lock on doors. Standard adj. Glides
Components	2 hinged doors, 2 drawers
Size	24" d x 48" w x 36" h
Wood	Maple
*Finish	To match Formica # 7012-58 Amber Maple
*Inset Top	To match Formica # 7012-58 Amber Maple
Note:	Furniture contractor to verify with National if the National Natural Maple finish matches Formica # 7012-58, submit sample to owner for approval, if acceptable use standard National Natural maple finish and match plastic laminate inset top.
Edge	Softened Wood Edge: ( F )
Pulls	Allure # 78 PL , Platinum Metallic
Quantity	1
Location	Dayroom (1)